

en

OWNER'S MANUAL

fr

MANUEL DE L'UTILISATEUR

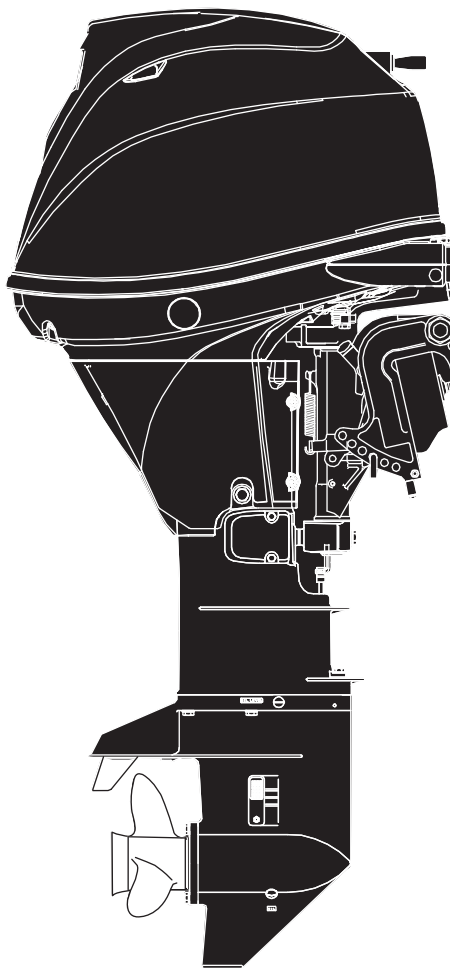
es

MANUAL DEL PROPIETARIO

de

BENUTZERHANDBUCH

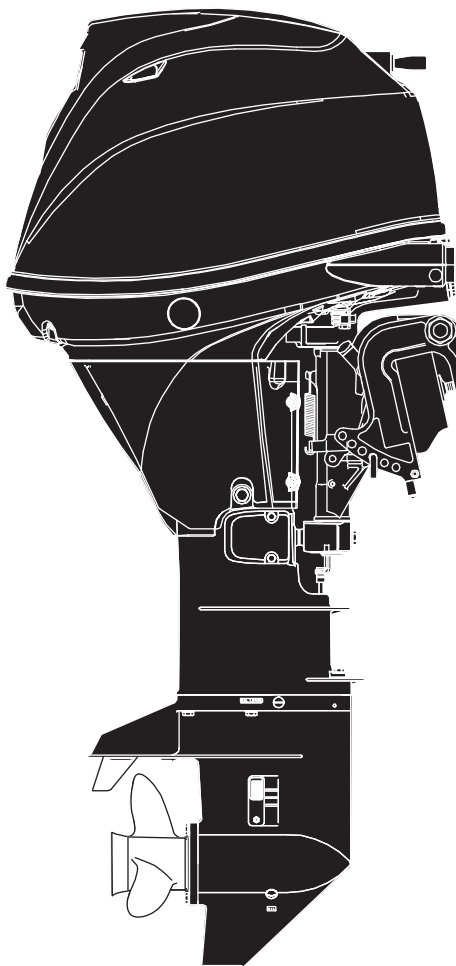
TOHATSU



MFS 25C MFS 30C

OB No.003-11117-3AG1

OWNER'S MANUAL



TOHATSU

MFS 25C
MFS 30C

Original instructions

OB No.003-11117-3AG1

ENOM00001-0



READ THIS MANUAL BEFORE USING THE OUTBOARD MOTOR. FAILURE TO FOLLOW THE INSTRUCTIONS AND SAFETY PRECAUTIONS IN THIS MANUAL CAN RESULT IN SERIOUS INJURY OR DEATH. KEEP THIS MANUAL IN A SAFE LOCATION FOR FUTURE REFERENCE.

Copyright © 2017 Tohatsu Corporation. All rights reserved. No part of this manual may be reproduced or transmitted in any form or by any means without the express written permission of Tohatsu Corporation.

YOUR TOHATSU OUTBOARD MOTOR

ENOM00006-A

To You, Our Customer

Thank you for selecting a TOHATSU outboard motor. You are now the proud owner of an excellent outboard motor that will service you for many years to come.

This manual should be read in its entirety and the inspection and maintenance procedures described later in this manual should be followed carefully. Should a problem arise with the outboard motor, please follow the troubleshooting procedures listed at the end of this manual. If the problem persists, contact an authorized TOHATSU service shop or dealer.

Please always keep this manual together with the outboard motor as a reference to everyone who uses the outboard motor. If the outboard motor is resold, make sure the manual is passed on to the next owner.

We hope you will enjoy your outboard motor and wish you good luck in your boating adventures.

TOHATSU CORPORATION

ENOM00113-0

EC DECLARATION OF CONFORMITY (DoC)

This product conforms to certain portion of the European Parliament directive. DoC contains the following information;

- Name and Address of the manufacturer.
- Applied community directives
- Reference standard
- Description of the product. (Model name and serial number)
- Signature of the responsible person (Name / Title / Date and place of issue).

ENOM00002-0

OWNER REGISTRATION AND IDENTIFICATION

Upon purchasing this product, be sure that the WARRANTY CARD is correctly and completely filled out and mailed to the addressee noted there on. This WARRANTY CARD identifies you as the legal owner of the product and serves as your warranty registration.

TO THE EXTENT PERMITTED BY APPLICABLE LAW, YOUR OUTBOARD MOTOR WILL NOT BE COVERED BY THE APPLICABLE LIMITED WARRANTY, IF THIS PROCEDURE IS NOT FOLLOWED.

ENOM00003-0

PRE-DELIVERY CHECK

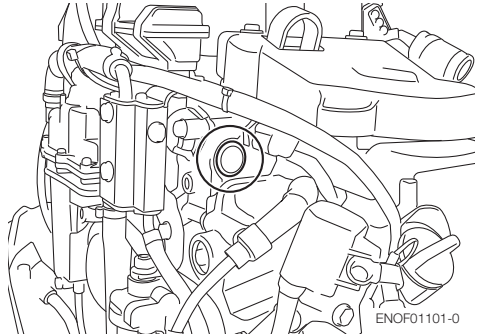
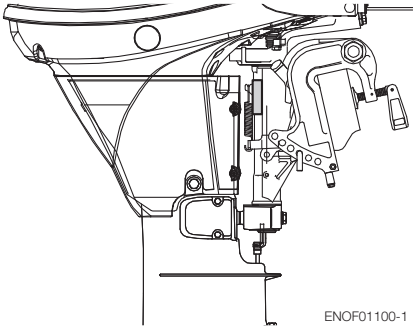
Be sure that the product has been checked by an authorized TOHATSU dealer before you take delivery.

ENOM00005-A

Serial Number

In the space below, please record the outboard motor's serial number (indicated both on the swivel bracket and on the cylinder block). The serial number will be needed when ordering parts, and when making technical or warranty inquiries.

Serial Number:



Serial Number:

Date of purchase:

ENOM00007-0

NOTICE: DANGER/WARNING/CAUTION/Note

Before installing, operating or otherwise handling your outboard motor, be sure to thoroughly read and understand this Owner's Manual and carefully follow all of the instructions. Of particular importance is information preceded by the words "DANGER," "WARNING," "CAUTION," and "Note." Always pay special attention to such information to ensure safe operation of the outboard motor at all times.

ENOW00001-0

 **DANGER**

Failure to observe will result in severe personal injury or death, and possibly property damage.

ENOW00002-0

 **WARNING**

Failure to observe could result in severe personal injury or death, or property damage.

ENOW00003-0

 **CAUTION**

Failure to observe could result in personal injury or property damage.

ENON00001-0

Note

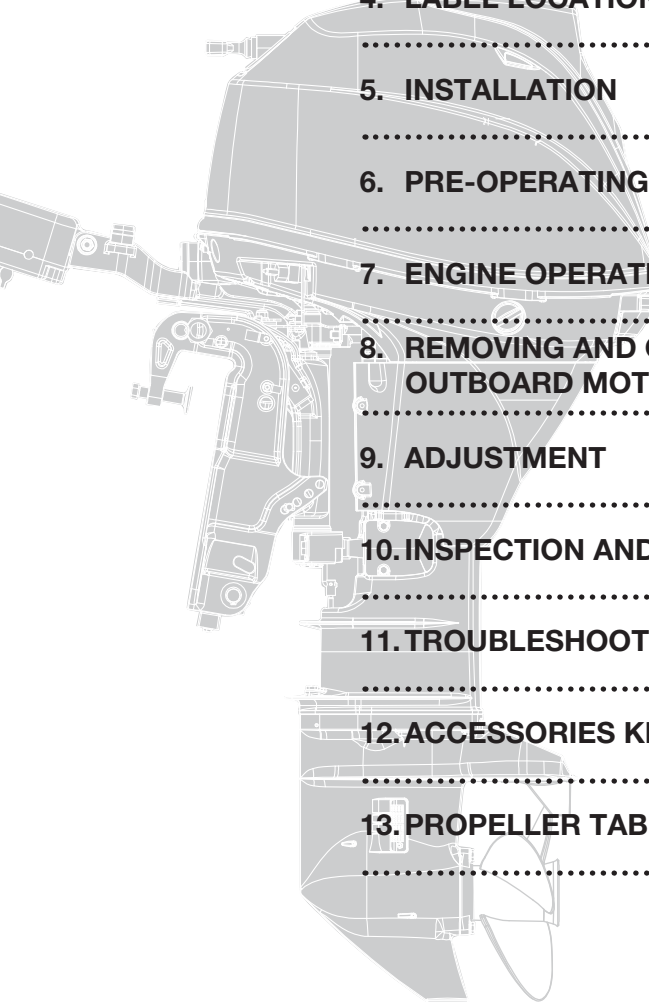
This instruction provides special information to facilitate the use or maintenance of the outboard motor or to clarify important points.

CONTENTS

1. GENERAL SAFETY INFORMATION	10
2. SPECIFICATIONS	12
3. PARTS NAME	15
4. LABEL LOCATIONS	19
5. INSTALLATION	23
1. Mounting the outboard motor on boat	23
2. Remote control device installation	25
3. Battery installation	26
4. TOCS (Tohatsu Onboard Communication System) installation	27
6. PRE-OPERATING PREPARATIONS	28
1. Fuel handling	28
2. Fuel filling	29
3. Engine oil recommendation	30
4. Break-In	31
5. Warning system	32
7. ENGINE OPERATION	35
Before starting	35
1. Fuel feeding	35
2. Starting the engine	36
3. Warming up the engine	42
4. Forward, reverse, and acceleration	43
5. Stopping the engine	46
6. Steering	48
7. Trim angle	48
8. Tilt up and down	50
9. Shallow water operation	53
8. REMOVING AND CARRYING THE OUTBOARD MOTOR	55
1. Removing the outboard motor	55
2. Carrying the outboard motor	55
3. Trailering	56
9. ADJUSTMENT	58
1. Steering friction	58
2. Throttle grip friction	58
3. Remote control lever friction	58
4. Trim tab adjustment	59
10. INSPECTION AND MAINTENANCE	60
1. Daily Inspection	61
2. Periodic Inspection	66
3. Off-season storage	78
4. Pre-season check	81
5. Submerged outboard motor	81
6. Cold weather precautions	82
7. Striking underwater object	82

8. Operation with multiple outboard motors	82
11. TROUBLESHOOTING	83
12. ACCESSORIES KIT	85
13. PROPELLER TABLE	86

INDEX



1 GENERAL SAFETY INFORMATION	1
.....	
2. SPECIFICATIONS	2
.....	
3. PARTS NAME	3
.....	
4. LABEL LOCATIONS	4
.....	
5. INSTALLATION	5
.....	
6. PRE-OPERATING PREPARATIONS	6
.....	
7. ENGINE OPERATION	7
.....	
8. REMOVING AND CARRYING THE OUTBOARD MOTOR	8
.....	
9. ADJUSTMENT	9
.....	
10. INSPECTION AND MAINTENANCE	10
.....	
11. TROUBLESHOOTING	11
.....	
12. ACCESSORIES KIT	12
.....	
13. PROPELLER TABLE	13
.....	

GENERAL SAFETY INFORMATION

ENOM00009-0

SAFE OPERATION OF BOAT

As the operator/driver of the boat, you are responsible for the safety of those aboard and those in other boats around yours, and for following local boating regulations. You should be thoroughly knowledgeable on how to correctly operate the boat, outboard motor, and accessories. To learn about the correct operation and maintenance of the outboard motor, please read through this manual carefully.

It is very difficult for a person standing or floating in the water to take evasive action should he or she see a power boat heading in his/her direction, even at a slow speed. Therefore, when your boat is in the immediate vicinity of people in the water, the outboard motor should be shifted to neutral and shut off.

ENOW00005-0

WARNING

SERIOUS INJURY IS LIKELY IF A PERSON IN THE WATER MAKES CONTACT WITH A MOVING BOAT, GEAR HOUSING, PROPELLER, OR ANY SOLID DEVICE RIGIDLY ATTACHED TO A BOAT OR GEAR HOUSING.

ENOM00008-A

EMERGENCY STOP SWITCH

The Emergency Stop Switch will stall the outboard motor when the stop switch lanyard is pulled off. This stop switch lanyard has to be attached to the operator of the outboard motor to minimize or prevent injuries from the propeller in case the operator falls overboard.

It is operator's responsibility to use the Emergency Stop Switch Lanyard.

ENOW00004-A

WARNING

Accidental activation of the Emergency Stop Switch (such as the tether being pulled out in heavy seas) could cause passengers to lose their balance and even fall overboard, or it could result in loss of power in heavy seas, strong currents, or high winds. Loss of control while mooring is another potential hazard.

To minimize accidental activation of the Emergency Stop Switch, the 500 mm (20 in.) stop switch lanyard is coiled and can be extended to a full 1300 mm (51 in.).

ENOM00800-A

PERSONAL FLOATATION DEVICE

As the operator/driver and passenger of the boat, you are responsible to wear a PFD (Personal Floatation Device) while on the boat.

ENOM00010-0

SERVICING, REPLACEMENT PARTS & LUBRICANTS

We recommend that only an authorized service shop perform service or maintenance on this outboard motor. Be sure to use genuine parts, genuine lubricants, or recommended lubricants.

ENOM00011-A

MAINTENANCE

As the owner of this outboard motor, you should be acquainted with correct maintenance procedures following maintenance section of this manual (See page 61). It is the operator's responsibility to perform all safety checks and to ensure that all lubrication and maintenance instructions are complied with for safe operation. Please comply with all instructions concerning lubrication and maintenance. You should take the engine to an authorized dealer or service shop for periodic inspection at the prescribed intervals.

Correct periodic maintenance and proper care of this outboard motor will reduce the chance of problems and limit overall operating expenses.

Carbon Monoxide Poisoning Hazard

Exhaust gas contains carbon monoxide, a colorless and odorless gas which can be fatal if inhaled for any length of time.

Never start or operate the engine indoors or in any space which is not well ventilated.

Gasoline

Gasoline and its vapors are very flammable and can be explosive. Use extreme care when handling gasoline. You should be thoroughly knowledgeable on how to correctly handle gasoline by reading this manual.

SPECIFICATIONS

ENOM00810-A

MODEL FEATURE

Model		F25C			F30C		
Type		MF	EP	EPT	MF	EP	EPT
Transom heights	S	●	●	●	●	●	●
	L	●	●	●	●	●	●
Tiller Handle		●			●		
Multi-function tiller handle			(●)*1	(●)*1		(●)*1	(●)*1
Remote Control			●	●		●	●
Power Tilt				●			●
Gas-assisted tilt							
Manual tilt		●	●		●	●	

*1: Option

ENOM00811-A

MODEL NAME EXAMPLE

F 30C EPTL

F	30	C	E	P	T	L
Model description	Horse power	Product generation	Starter system	Steering system	Tilt system	Shaft length
F= Four stroke D= Two stroke DI	-	A and up	E= Electrical start M= Manual start	P=Remote control (Pleasure) F=Tiller handle (Fisher) *Multi-function tiller handle is available as an optional part	T= Power trim&tilt G= Gas assist Blank= Manual tilt	S= Short 15 in L= Long 20 in UL= Ultra long 25 in

ENOM00013-0

MF, E, EP

2

Item	MODEL	25C/30C		
		MF	E (with multi-function tiller handle : option)	EP
Overall Length	mm (in)	1038 (40.9)	1303 (52.3)	726 (28.6)
Overall Width	mm (in)	411 (16.2)		
Overall Height S-L	mm (in)	1189(46.8) 1337 (52.6)		
Transom Height S-L	mm (in)	404 (15.9) 552 (21.7)		
Weight*1	S kg (lb)	71.5 (158)	77.0 (170)	73 (161)
	L kg (lb)	73 (161)	78.5 (173)	74.5 (164)
Output	kW (ps)	25C : 18.4 (25) 30C : 22.1 (30)		
Max. Operating Range	min ⁻¹ (rpm)	25C : 5000-6000 30C : 5250-6250		
Idle Speed	min ⁻¹ (rpm)	850 ±30		
Engine Type		4-Stroke fuel injection		
Number of Cylinder		3		
Bore × Stroke	mm (in)	61 × 60 (2.40 × 2.36)		
Piston Displacement	cm ³ (Cu in)	526 (32.09)		
Exhaust System		Through hub exhaust		
Cooling System		Water cooling		
Lubrication System		Trochoid pump		
Starting System		Manual	Electric starter motor*2	
Ignition System		Flywheel Magneto C.D. ignition		
Spark Plug		NGK DCPR6E		
Trim Position		6		
Engine Oil	mL (fl.oz.)	API SH, SJ or SL, 10W-30/40 Approx. 1800 (63.3)		
Gear Oil	mL (fl.oz.)	Genuine Gear Oil or API GL5,SAE #80-90, Approx. 360 (12.2)		
Fuel		Unleaded regular gasoline : Pump posted 87 Octane (research octane rating of 91)		
Fuel Tank Capacity	L (US gal)	25 (6.60)		
Gear Reduction Ratio		2.17 (12 : 26)		
Emission Control System		MFI (Multiport Fuel Injection)		
Operator Sound Pressure (ICOMIA 39/94) dB (A)		80.4		
Hand Vibration Level (ICOMIA 38/94) m/s ²		2.8		—

Remark: Specifications subject to change without notice.

*1 Without propeller, with battery cable.

*2 With manual

Tohatsu outboard is power rated in accordance with ISO8665 (propeller shaft output).

ENOM00015-0

ET (with multi-function tiller handle), EPT

2

Item	MODEL	25C/30C	
		ET (with multi-function tiller handle : option)	EPT
Overall Length	mm (in)	1303 (52.3)	726 (28.6)
Overall Width	mm (in)	411 (16.2)	
Overall Height S-L	mm (in)	1189 (46.8)	1337 (52.6)
Transom Height S-L	mm (in)	404 (15.9)	552 (21.7)
Weight*1	S kg (lb)	85 (187)	81 (179)
	L kg (lb)	86.5 (191)	82.5 (182)
Output	kW (ps)	25C : 18.4 (25)	30C : 22.1 (30)
Max. Operating Range	min ⁻¹ (rpm)	25C : 5000-6000	30C : 5250-6250
Idle Speed	min ⁻¹ (rpm)	850 ±30	
Engine Type		4-Stroke fuel injection	
Number of Cylinder		3	
Bore × Stroke	mm (in)	61 × 60 (2.40 × 2.36)	
Piston Displacement	cm ³ (Cu in)	526 (32.09)	
Exhaust System		Through hub exhaust	
Cooling System		Water cooling	
Lubrication System		Trochoid pump	
Starting System		Electric starter motor*2	
Ignition System		Flywheel Magneto C.D. ignition	
Spark Plug		NGK DCPR6E	
Trim Position		4	
Engine Oil	mL (fl.oz.)	API SH, SJ or SL, 10W-30/40 Approx. 1800 (63.3)	
Gear Oil	mL (fl.oz.)	Genuine Gear Oil or API GL5, SAE #80-90, Approx. 360 (12.2)	
Fuel		Unleaded regular gasoline : Pump posted 87 Octane (research octane rating of 91)	
Fuel Tank Capacity	L (US gal)	25 (6.60)	
Gear Reduction Ratio		2.17 (12 : 26)	
Emission Control System		MFI (Multiport Fuel Injection)	
Operator Sound Pressure (ICOMIA 39/94) dB (A)		80.4	
Hand Vibration Level (ICOMIA 38/94) m/s ²		2.8	—

Remark: Specifications subject to change without notice.

*1 Without propeller, with battery cable.

*2 With manual

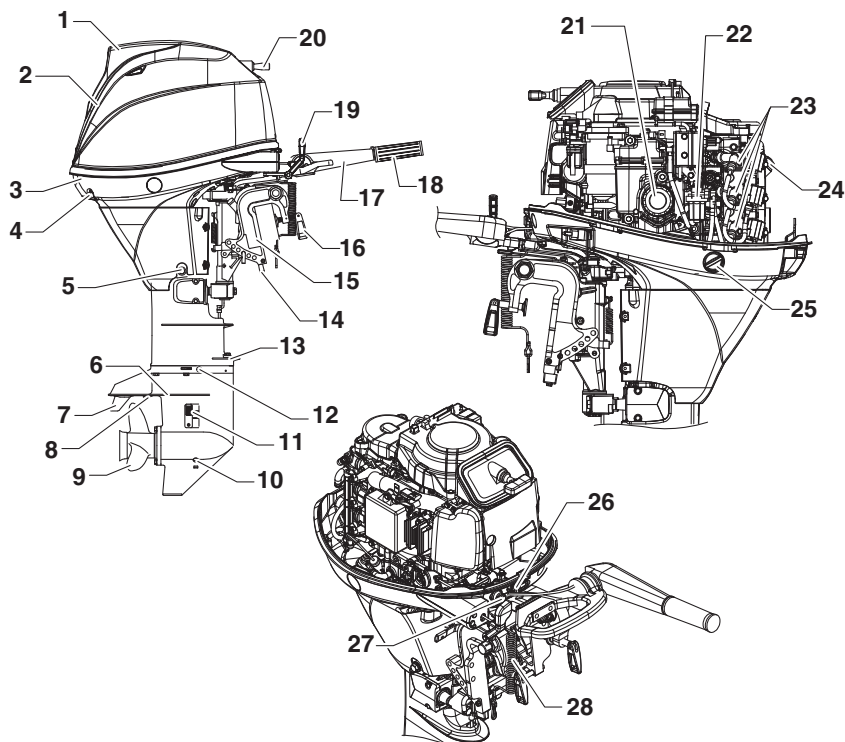
Tohatsu outboard is power rated in accordance with ISO8665 (propeller shaft output).

PARTS NAME

ENOM00820-0

MF

3



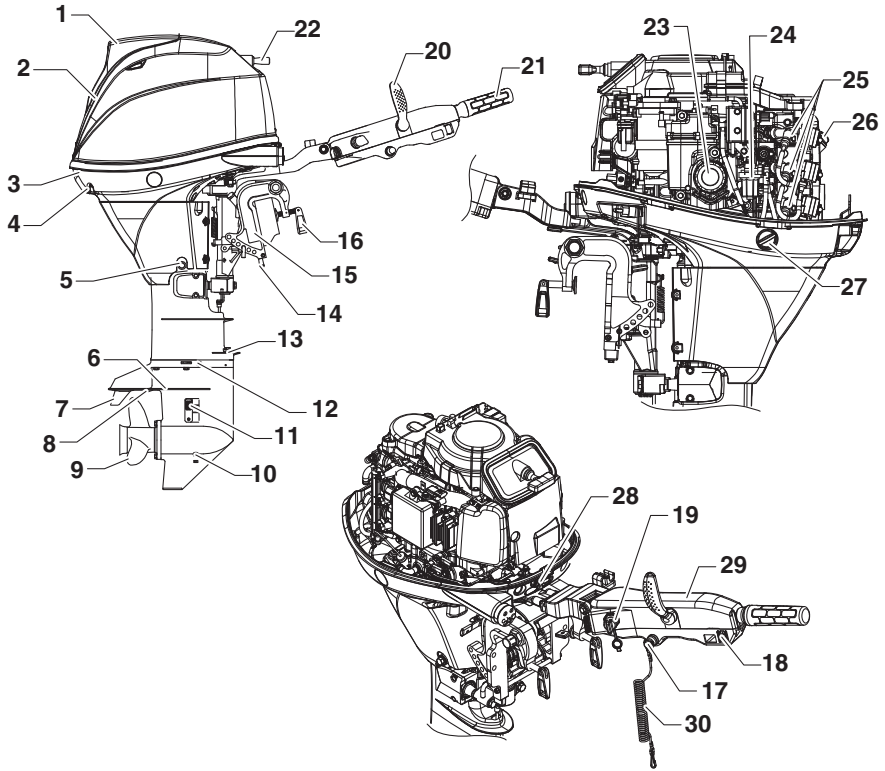
- | | | |
|----------------------------|--------------------------|---------------------------|
| 1 Tilt Handle | 13 Splash Plate | 25 Flushing Connector Cap |
| 2 Top Cowl | 14 Anode | 26 Warning Lamp |
| 3 Bottom Cowl | 15 Clamp Bracket | 27 Stop Switch |
| 4 Cooling Water Check Port | 16 Clamp Screw | 28 Stop Switch Lanyard |
| 5 Oil Drain Plug | 17 Tiller Handle | |
| 6 Anti-ventilation Plate | 18 Throttle Grip | |
| 7 Trim Tab | 19 Shift Lever | |
| 8 Sub-water Inlet | 20 Recoil Starter Handle | |
| 9 Propeller | 21 Oil Filter | |
| 10 Oil Plug (Lower) | 22 Fuel Filter | |
| 11 Cooling Water Inlet | 23 Spark Plug | |
| 12 Oil Plug (Upper) | 24 Oil Filler Cap | |

ENOF01135-0

ENOM00020-0

E (with multi-function tiller handle), EP

3



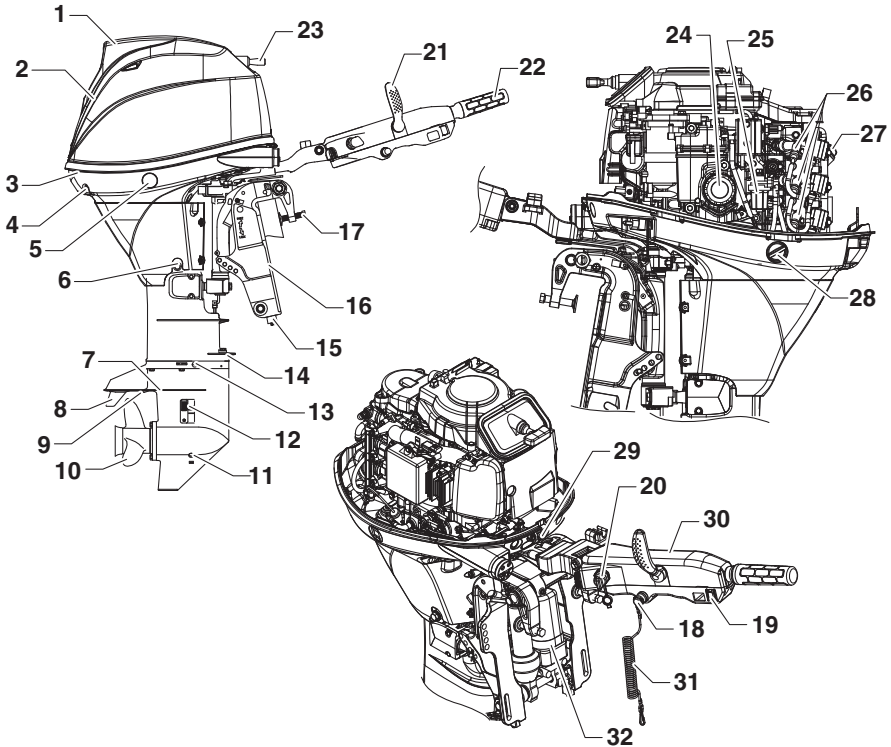
ENOF01136-0

- | | | |
|----------------------------|--------------------------|------------------------------------|
| 1 Tilt Handle | 13 Splash Plate | 25 Spark Plug |
| 2 Top Cowl | 14 Anode | 26 Oil Filler Cap |
| 3 Bottom Cowl | 15 Clamp Bracket | 27 Flushing Connector Cap |
| 4 Cooling Water Check Port | 16 Clamp Screw | 28 Warning Lamp |
| 5 Oil Drain Plug | 17 Stop Switch | 29 Multi-function Tiller handle *2 |
| 6 Anti-ventilation Plate | 18 PT Switch *1 | 30 Stop Switch Lanyard |
| 7 Trim Tab | 19 Key Switch | |
| 8 Sub-water Inlet | 20 Shift Lever | *1: Not for use |
| 9 Propeller | 21 Throttle Grip | *2: Option |
| 10 Oil Plug (Lower) | 22 Recoil Starter Handle | |
| 11 Cooling Water Inlet | 23 Oil Filter | |
| 12 Oil Plug (Upper) | 24 Fuel Filter | |

ENOM00020-0

ET (with multi-function tiller handle), EPT

3



- 1 Tilt Handle
- 2 Top Cowl
- 3 Bottom Cowl
- 4 Cooling Water Check Port
- 5 PT Switch
- 6 Oil Drain Plug
- 7 Anti-ventilation Plate
- 8 Trim Tab
- 9 Sub-water Inlet
- 10 Propeller
- 11 Oil Plug (Lower)
- 12 Cooling Water Inlet

- 13 Oil Plug (Upper)
- 14 Splash Plate
- 15 Anode
- 16 Clamp Bracket
- 17 Clamp Screw
- 18 Stop Switch
- 19 PT Switch
- 20 Key Switch
- 21 Shift Lever
- 22 Throttle Grip
- 23 Recoil Starter Handle
- 24 Oil Filter

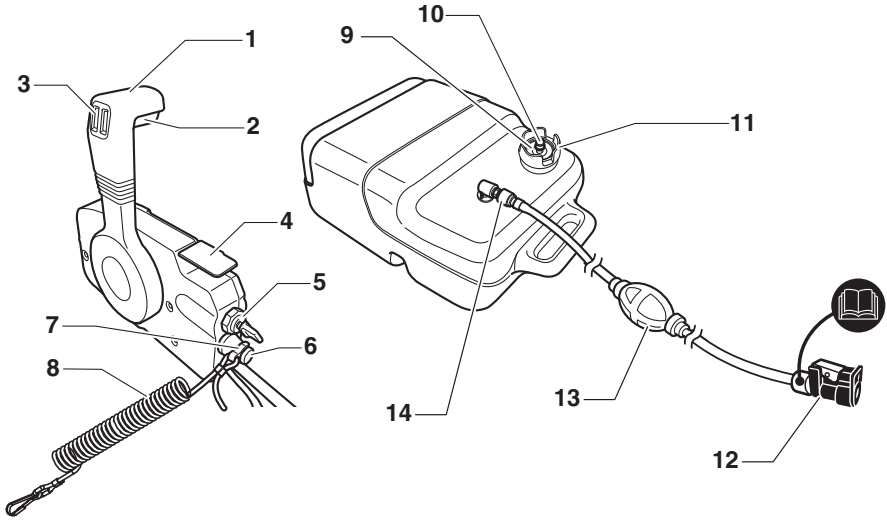
- 25 Fuel Filter
 - 26 Spark Plug
 - 27 Oil Filler Cap
 - 28 Flushing Connector Cap
 - 29 Warning Lamp
 - 30 Multi-function Tiller handle *1
 - 31 Stop Switch Lanyard
 - 32 Power Trim & Tilt
- *1: Option

ENOF01137-0

ENOM00822-0

Remote control box & Fuel tank

3



ENOF00127-C

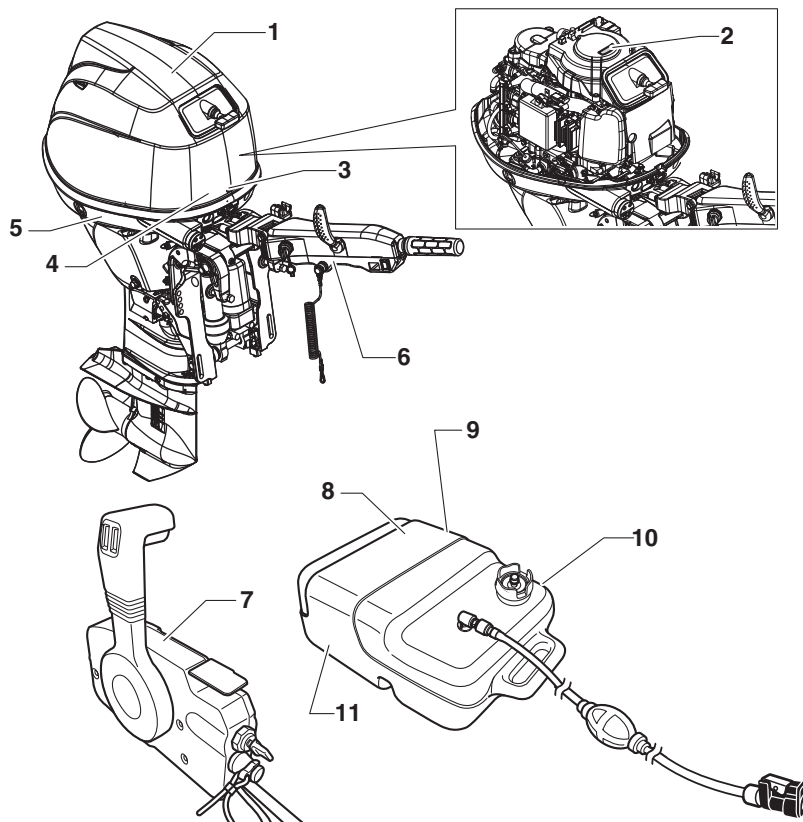
- 1 Control Lever
- 2 Neutral lock arm
- 3 PTT switch
- 4 Free throttle lever
- 5 Main switch
- 6 Stop switch
- 7 Stop switch lock
- 8 Stop switch lanyard

- 9 Fuel gauge
- 10 Air vent screw
- 11 Fuel tank cap
- 12 Fuel connector (Engine side)
- 13 Primer bulb
- 14 Fuel connector (Fuel tank side)

■ LABEL LOCATIONS

ENOM00019-A

Warning label locations



4

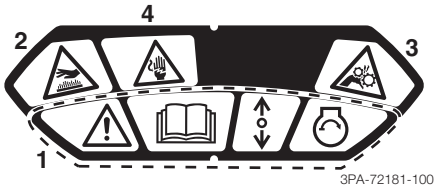
1. Warning label urge to read the owner's manual .



ENOF00120-0

- 2-1. Warning regarding emergency starting (See page 40).
 2-2. Warning regarding high temperature.
 2-3. Warning regarding rotating object.
 2-4. Warning regarding high voltage

4



3PA-72181-100

3. Warning label regarding engine failure/malfunction (See page 32).



ENOF00130-0

4. Warning label regarding stop switch (See page 38,46 and 47)



ENOF00131-B

5. Warning label regarding position of outboard motor when setting down.



ENOF00006-0

For tiller handle model

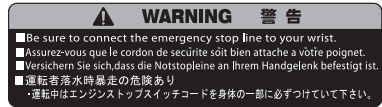
6. Warning label regarding stop switch (See page 38 and page 46,47)



ENOF00005-P

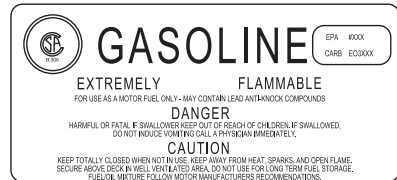
For RC model

7. Warning label regarding stop switch lanyard.



ENOF00005-D

8. Warning regarding gasoline.



ENOF00005-E

9. Warning regarding gasoline (See page 28).



ENOF00005-L

10. Warning regarding gasoline (See page 28).



ENOF00005-M

11. Warning regarding gasoline (See page 28).

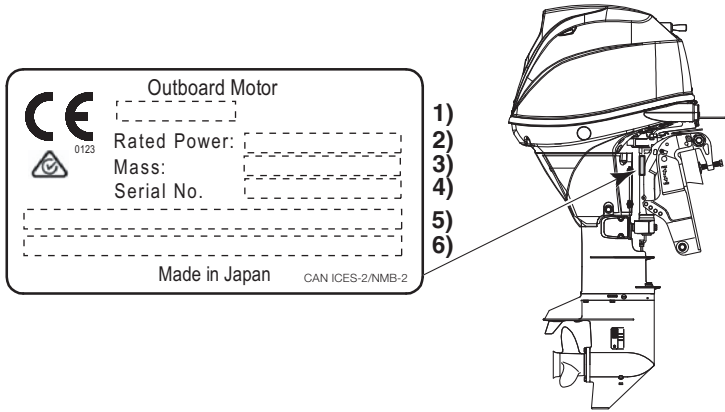


ENOF00005-F

ENOM00019-B

CE label locations

4



ENOF01129-1

- 1. Model code(Model name)
- 2. Rated power
- 3. Dry mass weight(Without propeller, with battery cable)
- 4. Serial No.
- 5. Manufacture name
- 6. Manufacture address

Description of serial number year code
 Last two digits of alphabet represent production year as below.

Year Code	AG	AH	AK	BX	BA
Year of manufacture	2017	2018	2019	2020	2021

INSTALLATION

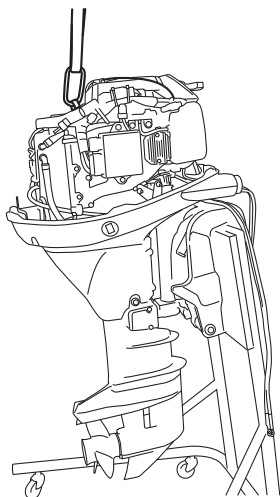
ENOM00024-A

1. Mounting the outboard motor on boat

ENOW00006-B

WARNING

Before installing the outboard motor on the boat, hang the outboard motor with the hoist or equivalent device by attaching the engine hanger to the outboard. Use the hoist with allowable load is 150 kg (330 lbs) or above.



ENOF01102-0

ENOW00006-0

WARNING

Most boats are rated and certified in terms of their maximum allowable horsepower, as shown on the boat's certification plate. Do not equip your boat with an outboard motor that exceeds this limit. If in doubt, contact your dealer.

Do not operate the outboard motor until it has been securely mounted on the boat in accordance with the instructions below.

ENOW00009-0

WARNING

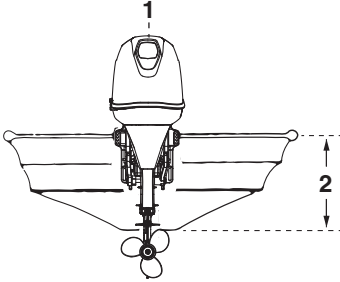
- Mounting the outboard motor without following this manual can lead to unsafe conditions such as poor maneuverability, lack of control or fire.
- Loose clamp screws and/or mounting bolts can lead to the release or displacement of the outboard motor, possibly resulting in lost of control and/or serious personal injury. Be sure that fasteners are tightened to the specified torque (30 N·m (3.0 kgf·m) 13 ft·lb). Check the fasteners for tightness from time to time.
- Be sure to use outboard mounting fasteners included in the outboard motor package or their equivalents in terms of size, material, quality and strength. Tighten fasteners to the specified torque (30 N·m (3.0 kgf·m) 13 ft·lb). Test cruise to check if fasteners are tightened securely.
- Outboard motor mounting must be performed by trained service person(s) using lift or hoist with sufficient capacity.

Outboard motor mounting must be performed by trained service person(s) using lift or hoist with sufficient capacity.

ENOM00025-0

Position ... Above keel line

Set engine at center of boat.



ENOF01141-0

1. Center of boat
2. Boat transom

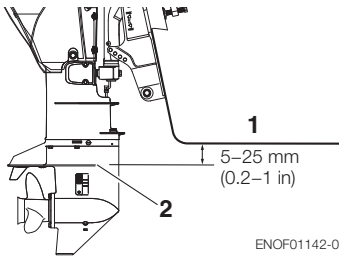
5

ENOM00026-0

Transom matching

Be sure that the anti ventilation plate of the outboard motor is 5–25 mm (0.2–1 in) below the bottom of hull.

If the above condition cannot be met due to the shape of the bottom of your boat, please consult your authorized dealer.



ENOF01142-0

1. Bottom of hull
2. Anti ventilation plate

ENOW00007-0

⚠ CAUTION

- Before beginning the running test, check that the boat with maximum capacity loading floats on the water in a proper attitude. Check the position of water surface on the driveshaft housing. If the water surface is near the bottom cowl-

ing, in high waves, water may enter the engine cylinders.

- Incorrect outboard motor mounting height or existence of underwater object(s), such as hull bottom design, bottom surface conditions or underwater accessories, can cause water spray possibly reaching the engine through an opening of the bottom cowling during cruising. Exposing the engine to such conditions for extended periods can lead to severe engine damage.

ENOM00830-A

Mounting bolts

Manual tilt type

1. To attach the outboard motor to the boat, tighten the clamp screws by turning their handles.

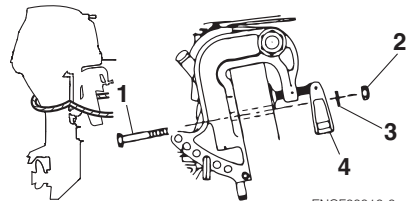
Also, use the bolts to secure the outboard motor brackets on transom board.

Secure the outboard motor with a rope to prevent loss overboard.

ENON00002-0

Note

A rope is not included in the standard accessories.



ENOF00016-0

1. Bolt (8 × 85)
2. Nut
3. Washer
4. Clamp screw

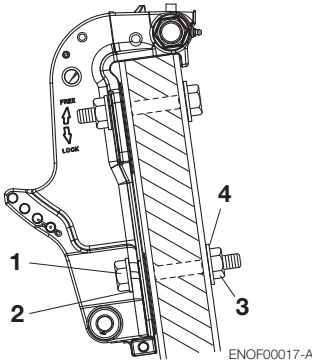
ENOW00945-0

CAUTION

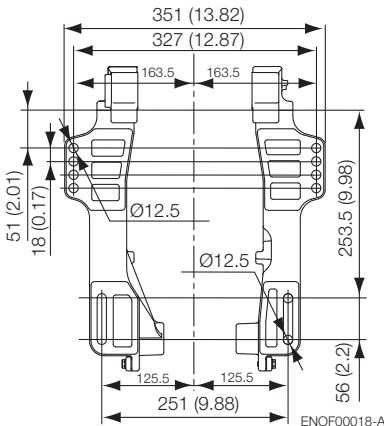
- Please inspect whether there is a loosening of the clamp screw or mounting bolts before departure.
- Loosening may cause a dangerous situation, such as loss of control.

PTT type

1. To attach the outboard motor to the boat, use the bolts to secure the outboard motor brackets on transom board.



1. Bolt (12 × 105)
2. Washer (small diameter)
3. Nut
4. Washer (large diameter)



ENOW00008-A

CAUTION

- Mounting bolts should be installed with the bolt head at inside surface of the transom. Mounting bolts installed with the threaded end at the inside surface of the transom can cause personal injury.
- Tighten the bolts sufficiently, otherwise falling down of outboard could be happened.

ENON00003-0

Notes

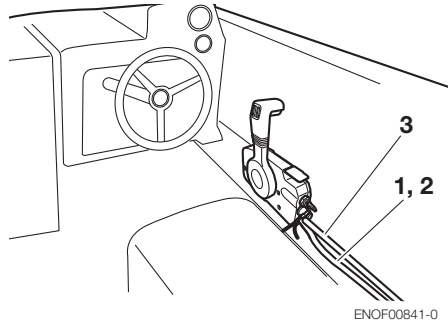
1. Apply sealing agent, such as silicone sealed between the bolts and the transom board holes before tightening the bolts.
2. Be sure to tighten the mounting bolt nuts to the specified torque.
(30 N·m (3.0 kgf·m) 13 ft·lb)

ENOM00840-0

2. Remote control device installation

ENOW00850-0

Remote control box location



1. Shift cable
2. Throttle cable
3. Cable harness B

Install the remote control box in a position where it is easy to reach and operate the controls.

Make sure there are no obstacles that can interfere with the operation of the remote

control cable.

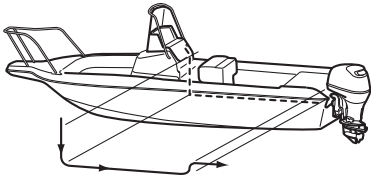
ENOW00850-0

Remote control cable length

ENOW00100-A

CAUTION

Be careful not to loop the remote control cables to a diameter of 406 mm (16 in) or less. Otherwise, it affects the service life of the cable.



ENOF00842-0

Measure the distance from the remote control box to the outboard motor where the remote control cable should be routed. Prepare a cable that is 300-450mm (11.8-17.7in) longer than the measured distance. Temporarily pull the cable along the intended cable route to check its length is sufficient.

Connect the remote control cable to the engine, then run the cable to the remote control box, making sure it is not sharply bent, too taut and free from obstructions that could interfere with steering.

ENOM00029-A

3. Battery installation

ENOW00012-0

WARNING

Battery electrolyte contains sulfuric acid and thus is hazardous, causing a burn if it comes in contact with your skin, or poisonous if swallowed.

Keep battery and electrolyte away from reach of children

When handling the battery, be sure to:

- Read all warnings shown on the battery case
- Prevent electrolyte from coming in contact with any part of your body. Contact can cause serious burn or, if it comes in contact with your eye, loss of sight. Use safety glasses and rubber gloves.

In case battery electrolyte comes in contact with:

- Skin, flush thoroughly with water.
- Eye, flush thoroughly with water, and then seek immediate medical treatment.

In case battery electrolyte is swallowed:

- Seek immediate medical treatment.

ENOW00013-A

WARNING

Battery generates explosive hydrogen gas. Be sure to:

- Charge the battery in a well-ventilated place.
- Place the battery away from any source of fire, sparks and open flames such as burners or welding equipment.
- Do not smoke near the battery when the battery is charging.
- Do not charge the battery when the electrolyte level is low. Otherwise, the battery will be damaged and may cause malfunction.

ENOW00014-0

CAUTION

- Make sure that the battery leads do not get stuck between the outboard motor and boat when turning, etc.
- The starter motor may fail to operate if the leads are incorrectly connected.
- Be sure to correctly connect the (+) and (-) leads. If not, the charging system will be damaged.
- Do not disconnect the battery leads from battery while the engine is operating, the electrical parts could be damaged.
- Always use a fully charged battery.

ENOW00015-0

CAUTION

Do not use a battery that is not recommended. Use of a battery not recommended can lead to poor performance of, and/or damage to, the electrical system.

ENON00006-A

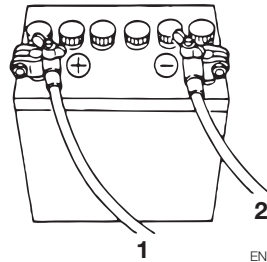
Note

Recommended battery: 12V 70Ah/5HR, 650 (Cold Cranking Amps (CCA), In case of cold whether: 12V100Ah/5HR (850CCA)) Specifications and features of batteries vary among the manufacturers. Consult the manufacturer for details.

* The battery should be purchased separately and is not supplied with the outboard motor.

1. Place the battery box in a convenient position away from possible water spray. Securely fasten both the box and the battery so they do not shake loose.

2. Connect the positive lead (+) to the positive terminal (+) of the battery, and then connect the negative lead (-). When disconnecting the battery always remove the negative lead (-) first. After connecting the positive terminal (+), securely place a cap on it to prevent short circuits.



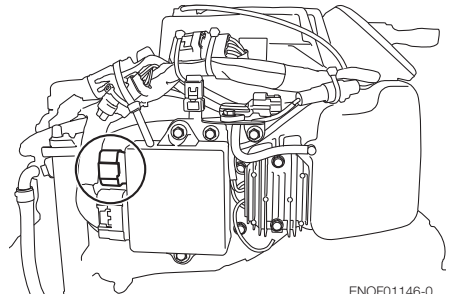
1. Battery cord (red)
2. Battery cord (black)

ENOF00022-0

ENOM00971-0

4. TOCS (Tohatsu Onboard Communication System) installation

TOCS (Tohatsu Onboard Communication System) interface coupler can provide information regarding engine speed, fuel consumption, and various malfunction via an optional interface cable. Contact authorized Tohatsu dealer for more detail.



ENOF01146-0

PRE-OPERATING PREPARATIONS

ENOM00030-A

1. Fuel handling

ENOW000017-0

CAUTION

Use of improper gasoline can damage your engine. Engine damage resulting from the use of improper gasoline is considered misuse of the engine, and damage caused thereby will not be covered under the limited warranty.

ENOM00031-A

FUEL RATING

TOHATSU engines will operate satisfactorily when using a major brand of unleaded gasoline meeting the following specifications:

USA and Canada — having a posted pump Octane Rating of 87 (R+M)/2 minimum. Premium gasoline (92 [R+M]/2 Octane) is also acceptable. Do not use leaded gasoline.

Outside USA and Canada — Use unleaded gasoline with declared octane rating of 91 RON or over. Use of premium gasoline of 98 RON is also allowed.

ENOM00032-A

GASOLINES CONTAINING ALCOHOL

The fuel system components on your TOHATSU engine will withstand up to 10% ethyl alcohol (hereinafter referred to as the "ethanol"), content in the gasoline. But even if the gasoline in your area contains ethanol less than 10%, you should be aware of certain adverse effects that can occur. Increasing the percentage of ethanol in the fuel can also worsen these adverse effects. Some of these adverse effects are caused because the ethanol in

the gasoline can absorb moisture from the air, resulting in a separation of the water/ethanol from the gasoline in the fuel tank.

These may cause increased:

- Corrosion of metal parts
- Deterioration of rubber or plastic parts
- Fuel permeation through rubber fuel lines
- Starting and operating difficulties

If the use of gasoline containing alcohol is inevitable, or presence of alcohol is suspected in the gasoline, it is recommended to add a filter that has water separating capability, and check the fuel system for leaks and mechanical parts for corrosion and abnormal wear more frequently.

And, in case any of such abnormality is found, discontinue the use of such gasoline and contact our dealer immediately.

If the outboard motor will only be used infrequently, please see the remarks on fuel deterioration in the STORAGE chapter (P 78) for additional information.

ENOW00020-1

CAUTION

When operating a TOHATSU engine on gasoline containing alcohol, storage of gasoline in the fuel tank for long periods should be avoided. Long periods of storage, create unique problems. In cars, alcohol blend fuels normally are consumed before they can absorb enough moisture to cause trouble, but boats often sit idle long enough for phase separation to take place. In addition, internal corrosion may take place during storage if alcohol has washed protective oil films from internal components.

ENOW00018-0

WARNING

Fuel leakage can cause fire or explosion, potentially leading to severe injury or loss of life. Every fuel system part should be checked periodically, and especially after long term storage, for fuel leak, change of hardness of rubber, expansion and/or corrosion of metals. In case any indication of fuel leakage or degradation of fuel part is found, replace relevant part immediately before continuing operation.

ENOM00043-B

2. Fuel filling

ENOW00019-1

WARNING

Do not fill the fuel tank over capacity. The rise of gasoline temperature may cause gasoline to expand which, may leak through air vent screw when it is open. Leaking gasoline is a dangerous fire hazard.

ENOW00028-A

WARNING

Consult an authorized dealer for details on handling gasoline, if necessary.

Gasoline and its vapors are very flammable and can be explosive.

When carrying a fuel tank containing gasoline:

- Close the fuel tank cap and air vent screw of fuel tank cap, or gasoline vapor will be emitted through the air vent screw, creating a fire hazard.
- Do not smoke.

When or before refueling:

- Be sure to remove the static electricity charged in your body before refueling.

- The sparks due to static electricity may cause explosion of flammable gasoline.
- Stop the engine, and do not start the engine during refueling.
- Do not smoke.
- Be careful not to overfill fuel tank. Wipe up any spilled gasoline immediately.

When or before cleaning the gasoline tank:

- Dismount fuel tank from the boat.
- Place the fuel tank away from every source of ignition, such as sparks or open flames.
- Do the work outdoors or in a well ventilated area.
- Wipe off gasoline well immediately if spilled.

After cleaning gasoline tank:

- Wipe off gasoline well immediately if spilled.
- If the fuel tank is disassembled for cleaning, reassemble carefully. Imperfect assembly may cause a fuel leak, possibly leading to fire or explosion.
- Dispose aged or contaminated gasoline in accordance with local regulations.

ENOW00029-A

WARNING

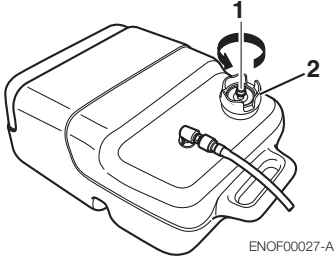
When opening fuel tank cap, be sure to follow the procedure described below. Fuel could blast out through the fuel tank cap in case the cap is loosened by using another procedure when internal pressure of fuel tank is raised by heat from sources such as sun light.

ENOW00946-0

CAUTION

Separate tank must be fixed at appropriate position so that well ventilated and tank does not move or fall down while operating.

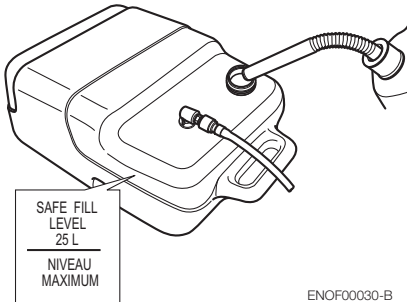
1. Full open the air vent screw on the fuel tank cap and release internal pressure.



1. Air vent screw
2. Fuel tank cap

2. Open the fuel tank cap slowly.
3. Fill the fuel carefully not to over flow.

6



4. After filling the tank, close the fuel tank cap.

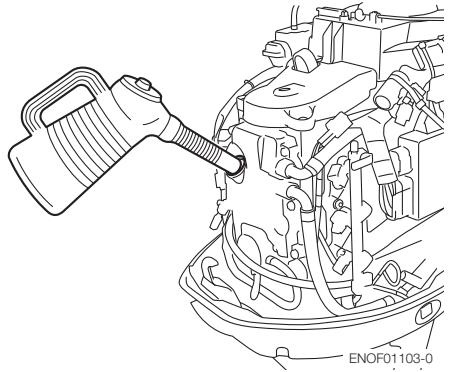
ENOM00037-A

3. Engine oil recommendation

ENOW00022-A



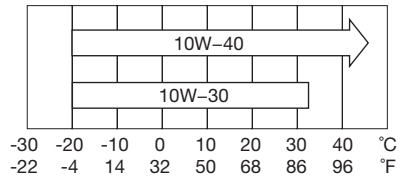
The engine oil is drained for shipping from the factory. Be sure to fill the engine to the proper level before starting engine. (To properly fill the engine with oil follow the instructions, See page 67)



Use only high quality 4-stroke engine oil to insure performance and prolonged engine life.

The SAE oil viscosity 10W-30 or 10W-40 FC-W outboard motor engine oil is recommended.

You can also use oils that carry the API rating of SH, SJ, or SL. Select the appropriate viscosity, based on atmospheric temperature, from the chart below.



ENOF00208-0

ENOW0002A-A



Use of engine oils that do not meet these requirements will result in reduced engine life, and other engine problems.

JENOM00033-A

4. Break-In

Your new outboard motor and lower unit require break-in for the moving components according to the conditions described in the following time table.

Please refer to ENGINE OPERATION section (See page 35) to learn how to correctly start and operate the outboard motor.

ENOW00024-A

DANGER

Do not operate the outboard motor in closed area or area with no forced ventilation.

Exhaust gas emitted by this outboard motor contains carbon monoxide that will cause death if inhaled continuously. Inhaling the gas initially causes symptoms such as feeling of sickness, drowsiness and headache.

During operation of the outboard motor:

- Keep peripheral area well ventilated.

- Always attempt to stay on the windward side of emission.

ENOW00023-1

CAUTION

Operating the outboard motor without break-in can shorten service life.

If any abnormality is experienced during the break-in:

- Discontinue the operation immediately.
- Have the dealer check the product and take proper action(s) if necessary.

ENON00008-0

Note

Proper break-in allows outboard motor to deliver it full performance for longer service life.

	1-10 min	10 min - 2 hrs	2-3 hrs	3-10 hrs	After 10 hrs
Throttle Position	Idle	Less than 1/2 throttle	Less than 3/4 throttle	3/4 throttle	Full throttle available
Speed		Approx. 3000 min ⁻¹ (rpm) max	Full throttle run allowed for 1 min every 10 min	Approx. 4000 min ⁻¹ (rpm). Full throttle run allowed for 2 min every 10 min	

ENOM00039-0

5. Warning system

If outboard motor encounters an abnormal condition of fault, the warning horn will emit a continuous beep or intermittent short beeps and the warning lamp (LED) will synchronize with the horn and engine speed will be limited (engine will not be stopped).

See next page for conditions which will lead to an abnormal condition or fault.

ENOM00040-A

Location of warning horn and lamp

■ Warning horn

RC model: Located inside the remote control.

Multi-Function tiller handle model: Located in the tiller handle.

Tiller handle model: Located in the engine cover.

■ Warning lamp (LED)

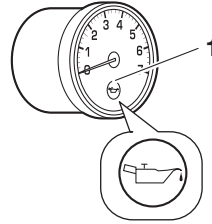
RC model: Located in the tachometer & bottom cowl.

Multi-Function tiller handle & Tiller handle models: Located on the bottom cowl.

ENON00009-A

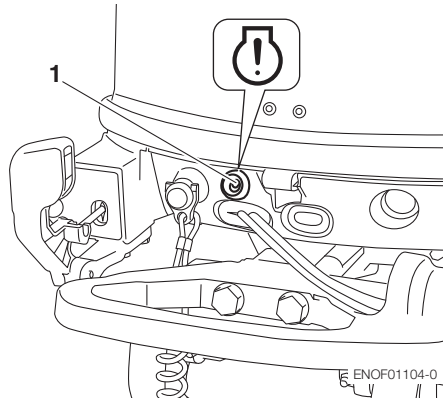
Note

Warning lamp for optional tachometer will synchronize with the warning lamp for engine side.



ENOF00851-A

1. Warning lamp



ENOF01104-0

1. Warning lamp

ENOM00041-B

Warning indicators, faults and remedy

Warning indicators				Description of faults	Remedy
Sound	Lamp (LED)	Low speed ESG	High speed ESG		
One beep	On for 5 sec.			Normal system test when start up	
Continuous	ON		ON	Engine speed exceeds maximum allowable RPM	1
Continuous ^{*2}	ON ^{*2}	ON ^{*2}		Low oil pressure ^{*1}	2
Continuous	ON	ON		Water over temperature	3
Intermittent short beep ^{*2}	Blinking ^{*2}	ON ^{*2}		Water temp or MAP sensor out of range	4

Remarks

*1: In this case, oil pressure switch is "ON".

*2: It is necessary to stop the engine, if you want to stop the working indicators and re-set the warning system.

High speed ESG (Electronic Safety Governor)

High speed ESG is a device to prevent over revolution of the engine. If the load to the engine becomes light for some reason, it runs at a higher speed than the usual. In such the case, the buzzer sounds and the ESG is activated not to ignite the spark plug, therefore, the engine speed varies and be controlled under 6300 min⁻¹ (rpm).

Low speed ESG

Low speed ESG is a device to prevent the engine from getting damage. If the engine has problems regarding cooling water, oil pressure, and sensors, the low speed ESG is activated not to ignite the spark plug, and disable fueling therefore, the engine speed varies and be controlled under 2800 min⁻¹ (rpm).

Remedy

1. Reduce the throttle to less than half opening, and move to safe place quickly, and stop the engine.
Check the propeller for bent or damaged blades.
Consult an authorized dealer if engine shows the same result even after replacing propeller with new one.
2. Move to safe place quickly, and stop the engine.
Check the engine oil level, and add engine oil if necessary.
Consult your dealer if the engine oil level is too low or too high.
3. Move to safe place quickly, and check the discharge of cooling water from the water check port at idle speed and stop engine.
Remove any foreign matter on the gear case and propeller if necessary. Consult an authorized dealer if no discharge of cooling water.
4. Consult an authorized dealer.

ENOW00025-A

**CAUTION**

- **Low speed ESG ON: Engine speed will be limited to 2800 min⁻¹ (rpm), however you should not continue to run engine.**
- **High speed ESG ON: Engine speed will be limited to 6300 min⁻¹ (rpm) and engine will run rough until throttle is reduced.**

ENGINE OPERATION

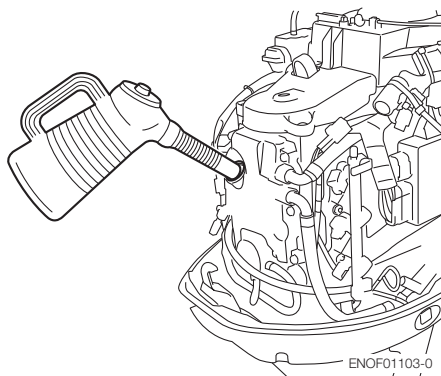
ENOM00042-0

Before starting

ENOW00022-A

⚠ CAUTION

The engine oil is drained for shipping from the factory. Be sure to fill the engine to the proper level before starting engine. (To properly fill the engine with oil follow the instructions. See page 62)



ENOW00027-A

⚠ CAUTION

Before starting engine for the first time after reassembling engine or off-season storage, disconnect stop switch lock and crank approximately 10 times in order to prime the oil pump.

ENOM00044-A

1. Fuel feeding

ENOW00029-A

⚠ WARNING

When opening fuel tank cap, be sure to follow the procedure described below. Fuel could blast out through the fuel tank cap in case the cap is loosened by using another procedure when internal pressure of fuel

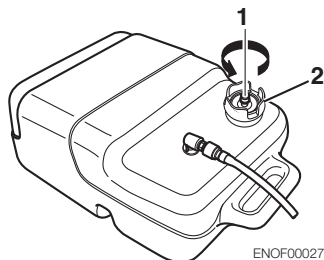
tank is raised by heat from sources such as sun light.

ENOW00947-0

⚠ CAUTION

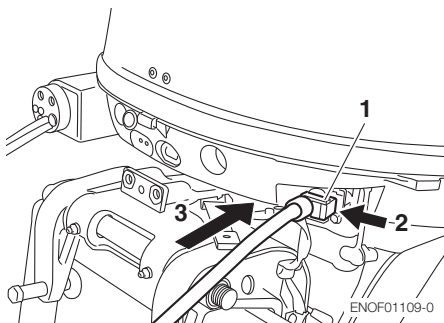
When using a separate tank, be sure that the fuel line is not kinked and is connected securely.

1. Full open the air vent screw on the fuel tank cap.

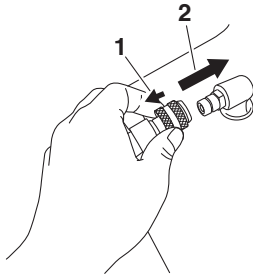


1. Air vent screw
2. Fuel tank cap

2. Open the fuel tank cap slowly and release internal pressure completely. After that, close the fuel tank.
3. Connect the fuel connector to the engine and fuel tank.



1. Fuel connector
2. Push
3. Insert



ENOF00861-A

1. Pull
 2. Insert
4. Squeeze primer bulb until it becomes stiff to feed fuel to vapor separator. Direct arrow mark upward when priming.



ENOF00862-0

1. Engine side
2. Fuel tank side

Do not squeeze primer bulb with engine running or when the outboard motor is tilted up. Otherwise, fuel could overflow.

ENOM00045-A

2. Starting the engine

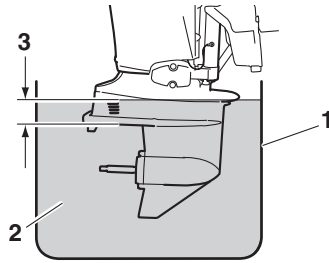
ENOW00036-A

CAUTION

When the engine is started in the test tank, to avoid over heating and water pump damage, be sure the water level is at least 10 cm (4 in.) above the anti ventilation plate.

And be sure to remove the propeller, when starting the engine in the test tank. (See page 72)

Run the engine only at idling.



ENOF00863-0

1. Test tank
2. Water
3. Over 10 cm (4 in.)

ENOW00036-0

CAUTION

Be sure to stop engine immediately if cooling water check port is not discharging water, and check if cooling water intake is blocked. Operating engine could lead to overheating potentially leading to engine damage. Consult an authorized dealer if the cause cannot be found.

ENOW00032-A

CAUTION

Do not hold turning starter motor more than 5 seconds, or the battery may be consumed, potentially making the engine starting impossible and/or damaging the starter.

If cranking over 5 seconds fails to start engine, return main switch to "ON", and crank engine again after 10 seconds or more.

Do not try to crank after engine has started.

This model is provided with start in gear protection.

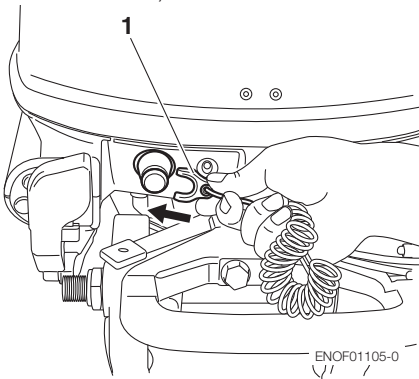
ENON00010-0

Note

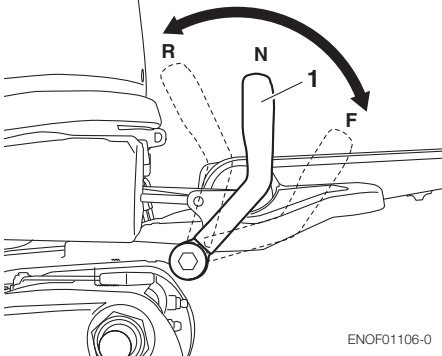
Start-in-gear protection prevents engine from starting at other than neutral shift. In-gear starting of engine will move the boat immediately, potentially leading to falling down or causing passenger(s) to be thrown overboard.

Tiller handle type

1. Be sure to install the stop switch lock to the stop switch, and attach the stop switch lanyard securely to the operator or to the operator's PFD (Personal Flo-tation Device.)

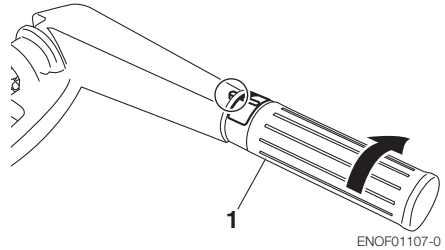


1. Stop switch lock
2. Set the control lever in the Neutral position.



1. Shift lever

3. Set the throttle grip to START position.

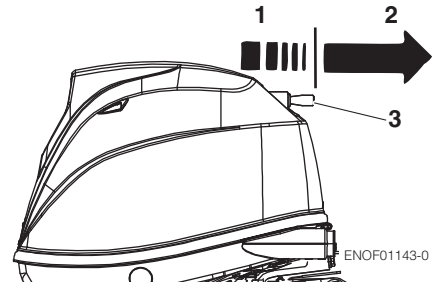


1. Throttle grip

(For manual starter type)

This engine is equipped with a compression release mechanism.

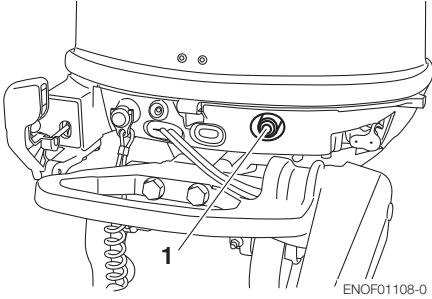
4. Pull the starter handle slowly until you feel engagement, keep pulling till you feel less resistance. Then pull it quickly, repeat if necessary until started.



1. Slowly
2. Quickly
3. Starter handle

(For electrical starter type)

4. Push the starter switch button and release the button when the engine has started.

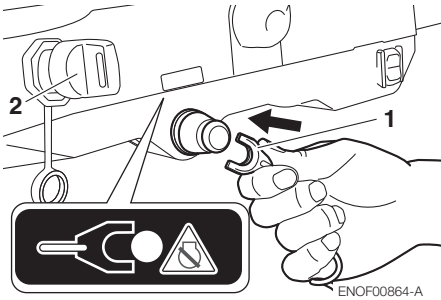


ENOF01108-0

1. Starter Button

Multi-function tiller handle type

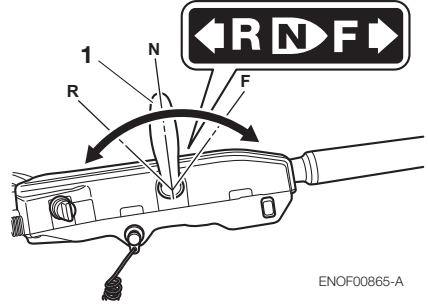
1. Be sure to install the stop switch lock to the stop switch, and attach the stop switch lanyard securely to the operator or to the operator's PFD (Personal Floation Device.)



ENOF00864-A

1. Stop switch lock
 2. Main switch key
2. Insert the main switch key.

3. Set the control lever in the Neutral position.



ENOF00865-A

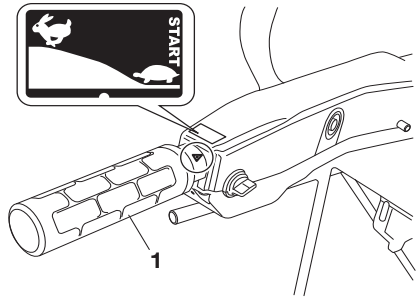
1. Shift lever

ENOW00031-0

⚠ CAUTION

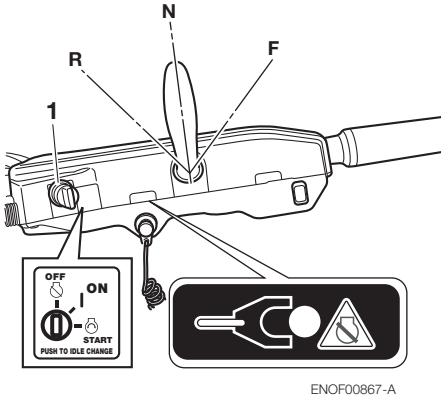
If the engine starts in gear, do not use it. Contact an authorized dealer.

4. Set the throttle grip to START position.



ENOF00866-0

1. Throttle grip
5. Turn the main switch key to ON position and turn the main switch key to START position and release the key when the engine has started. The key returns to the original position, automatically.



1. Main switch key

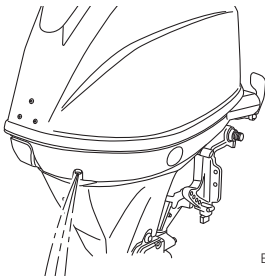
ENOW00032-1

CAUTION

Do not hold turning starter motor more than 5 seconds, or the battery may be consumed, potentially making the engine starting impossible and/or damaging the starter.

If cranking over 5 seconds fails to start engine, return main switch to "ON", and crank engine again after 10 seconds or more.

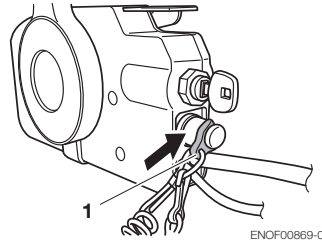
6. Check the cooling water from cooling water check port.



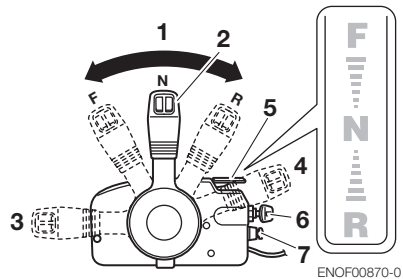
ENOF01110-0

Side mount RC type

1. Be sure to install the stop switch lock to the stop switch, and attach the stop switch lanyard securely to the operator or to the operator's PFD (Personal Flootation Device.)



1. Stop switch lock
2. Insert the main switch key.
3. Set the control lever in the Neutral position. Do not raise the free throttle lever when starting the engine.



ENOF00870-0

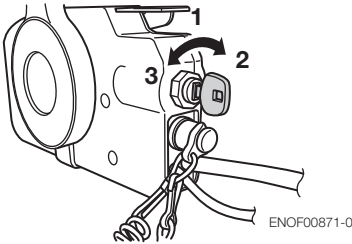
1. Neutral (N)
2. Control lever
3. Fully opened (Forward)
4. Fully opened (Reverse)
5. Free throttle lever
6. Main switch key
7. Stop switch

ENON00035-A

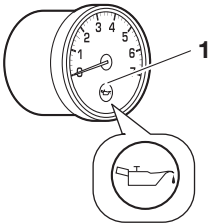
Note

The free throttle lever can not be raised when the control lever shift is in Forward or Reverse.

4. Turn the main switch key to ON position.
5. Turn the main switch key to START position and release the key when the engine has started. Also, confirm warning lamp light up with buzzer sound and then go off. The key returns to the original position, automatically.



1. ON
2. START
3. OFF



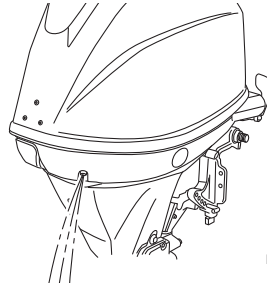
1. Warning lamp

ENON00035-A

Note

The free throttle lever can not be raised when the control lever shift is in Forward or Reverse.

6. Check the cooling water from cooling water check port.



ENOM00042-A

Emergency starting

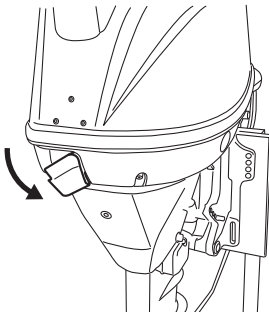
ENOW00099-A

⚠ WARNING

When the emergency starter rope is used for starting engine;

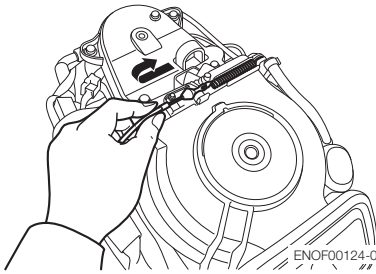
- Start in gear protection does not work. Be sure to shift is at neutral position. Otherwise the engine will move the boat immediately and cause personal injury.
- Be careful that your clothes or other items do not get caught in the rotating engine parts.
- To prevent accident and injury by rotating parts, do not re-attach flywheel cover and the top cowl after the engine has been started.
- Do not pull starter rope if any bystander is behind. The action can injure the bystander.
- Attach engine stop switch lanyard to clothing or any part of body like arm before starting engine.

1. Remove the top cowl.



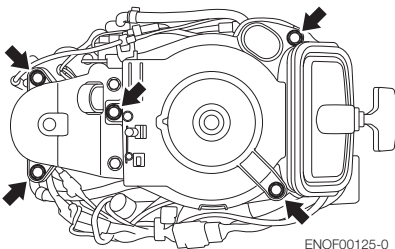
ENOF01111-0

2. Remove starter lock cable from recoil starter by pulling the starter lock cable.



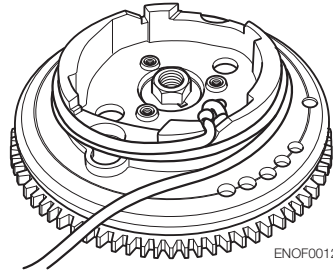
ENOF00124-0

3. Remove the bolts (5pcs) and remove the recoil starter.



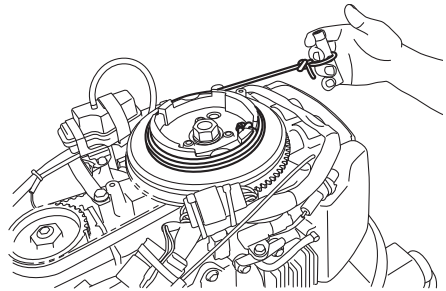
ENOF00125-0

4. Insert the knotted end of the starter rope into the notch in the flywheel and wind the rope around the flywheel several turns clockwise.



ENOF00126-0

5. Tie a loop in the another end of the emergency starter rope and attach socket wrench that is included in the tool kit.



JNOF01120-0

ENOW00860-0

CAUTION

Be sure to keep the harness away from the rotation parts.

6. Be sure to install the stop switch lock to the stop switch, and attach the stop switch lanyard securely to the operator or to the operator's PFD (Personal Flo-tation Device.)
7. Set the control lever in the Neutral position.

8. Pull the starter handle slowly until you feel engagement, keep pulling till you feel less resistance. Then pull it quickly.
9. After engine starts, do not reinstall fly-wheel cover and top cowl.

ENOM00043-A

3. Warming up the engine

ENOW00932-0

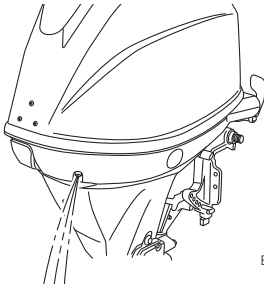


Be sure to check that cooling water is coming out of the cooling water check port during warm up.

Warm the engine at low engine speeds for about

- 3 minutes : above 5°C (41°F)
- 5 minutes at 2000 min⁻¹ (rpm) : blow 5°C (41°F)

This allows the lubricating oil to circulate to all parts of the engine. Operating the engine without warm up shortens the engine's life.



ENOF01110-0

ENOM00044-0

Engine speeds

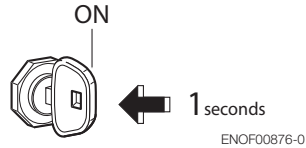
Idling speed after warming up.
 Remark: In case of cold engine starting, idling speed is increased about 400 min⁻¹ (rpm) for several minutes.

Clutch in (In gear)	Clutch off (Out of gear)
850 min ⁻¹ (rpm)	850 min ⁻¹ (rpm)

ENOM00880-0

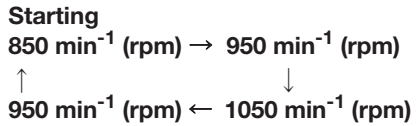
Trolling engine speed control function (except for normal tiller handle type)

If the main switch key is pressed for 1 (one) second during idling or trolling operation, engine revolution change.



ENOF00876-0

Each time the main switch key is pressed in the above manner, engine speed changes as follows.



Buzzer short sounded one time, when set to 850 min⁻¹ (rpm) engine speed, and tells the lowest engine speed was set.

Buzzer short sounded twice, when set to 1050 min⁻¹ (rpm) engine speed, and tells the highest engine speed was set.

Reset the engine speed when after engine restarted and or engine speed is above 3,000 min⁻¹ (rpm) , and then trolling engine speed to be 850 min⁻¹ (rpm) as standard.

In addition, this function does not operate when battery voltage is lower than specified, set engine idle and trolling engine speed to 850 min⁻¹ (rpm) automatically.

ENOM00046-A

4. Forward, reverse, and acceleration

ENOW00037-0

WARNING

Before shifting into forward or reverse, make sure that boat is properly moored and outboard motor can be steered fully to the right and left. Make sure that no swimmer(s) is ahead or astern of the boat.

ENOW00038-A

WARNING

- Attach other end of emergency stop switch lanyard to the operator's PFD (Personal Flotation device) or arm and keep it attached during cruising.
- Do not attach the tether to a part of clothing that can be torn easily when pulled.
- Arrange the tether so that will not be caught by any object when pulled.
- Be careful not to pull the tether accidentally during cruising. Unintentional stop of engine can cause loss of control of outboard motor. Rapid loss of engine power can lead to falling down or causing passenger(s) to be thrown overboard.

ENOW00042-0

WARNING

- Do not shift into Reverse during planing, or control will be lost leading to serious personal injury, boat may swamp, and/or hull may be damaged.
- Do not shift into Reverse during cruising, or control may be lost, falling down or causing passenger(s) to be thrown overboard. Leading to serious personal

injury, and steering system and/or shifting mechanism may be damaged.

ENOW00861-0

WARNING

Do not shift at high boat speed, or control may be lost, falling down or causing passenger(s) to be thrown overboard. Leading to serious personal injury.

ENOW00862-0

CAUTION

Gear and clutch damage may occur if shifting at high engine speed. Engine must be in the slow idle position before shifting is attempted.

ENOW00863-0

CAUTION

Idle speed may be higher during warming up of engine. If shifted to Forward or Reverse during warming up, it may be difficult to shift back to neutral. In such case, stop engine, shift to neutral, and restart engine to warm up.

ENON00014-0

Note

Frequent shifting to forward or reverse can accelerate wear or degradation of parts. In such case, replace gear oil earlier than the period specified.

ENOW00864-0

CAUTION

Do not increase engine speed unnecessarily when the shift is in neutral and reverse, or engine damage may occur.

ENOM00890-A

Tiller handle type

ENOW00865-0

⚠ CAUTION

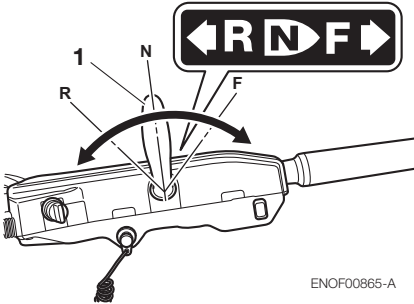
Do not force to shift when the throttle grip is not in the fully closed position, otherwise, steering system and/or shifting mechanism may be damaged. The control lever is inoperative unless the throttle grip is in the fully closed position. (Multi-function tiller type)

ENOW00867-0

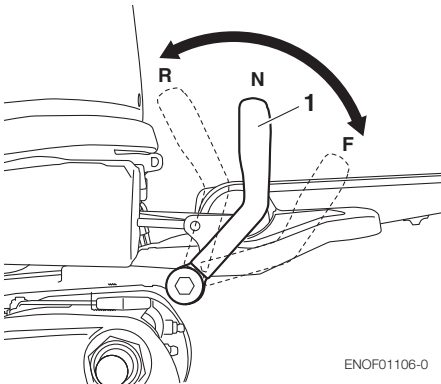
⚠ WARNING

Sudden acceleration and deceleration may cause passenger(s) to be thrown overboard or falling down.

7



1. Shift lever



ENOF01106-0

1. Shift lever

Forward

1. Turn the throttle grip to reduce engine speed.
2. When the engine reaches trolling (or idling) speed, quickly pull the shift lever to the Forward position.

Reverse

1. Turn the throttle grip to reduce engine speed.
2. When the engine reaches trolling (or idling) speed, quickly pull the shift lever to the Reverse position.

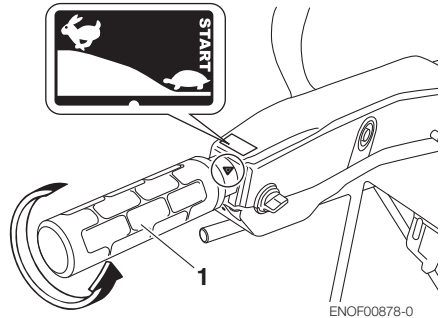
Acceleration

ENOW00867-0

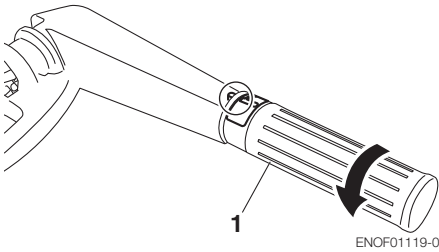
⚠ WARNING

Sudden acceleration and deceleration may cause passenger(s) to be thrown overboard or falling down.

Open throttle grip gradually.



1. Throttle grip



1. Throttle grip

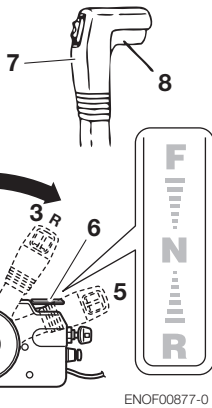
ENOM0900-0

Side mount RC type

ENOW00867-0

⚠ WARNING

Sudden acceleration and deceleration may cause passenger(s) to be thrown overboard or falling down.



- 1. Forward (F)
- 2. Neutral (N)
- 3. Reverse (R)
- 4. Fully opened (Forward)
- 5. Fully opened (Reverse)
- 6. Free throttle lever
- 7. Control lever
- 8. Lock button

Forward

1. Quickly push the control lever to the Forward (F) position 32°, where the gear is connected, while lifting up on the lock button located under the control lever grip.
2. Further forward motion will open the throttle.

Reverse

1. Quickly pull the control lever to the Reverse (R) position at 32°, where the gear is connected, while lifting up on the lock button located under the control lever grip.
2. Further rearward motion will open the throttle.

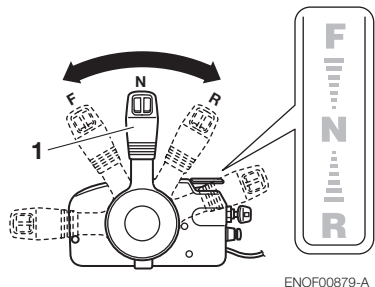
Acceleration

ENOW00867-A

⚠ CAUTION

Sudden acceleration and deceleration may cause passenger(s) to be thrown overboard or falling down.

Open control lever gradually.



1. Control lever

ENOM00049-A

5. Stopping the engine

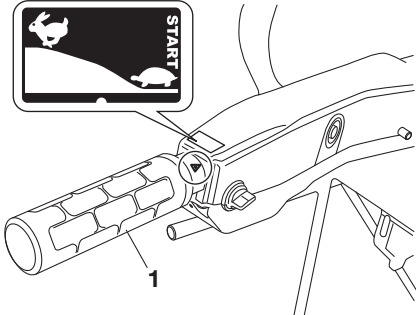
ENOW00868-0

WARNING

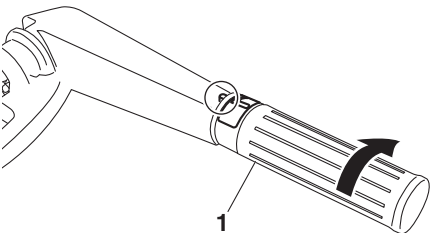
Be careful not to remove engine stop switch lanyard from engine accidentally while boat is running. Sudden stop of engine can cause loss of steering control. It can also cause loss of boat speed, possibly leading the crew(s) and or objects on the boat to be thrown forward due to inertial force.

Tiller handle type

1. Turn the throttle grip to the slow position.



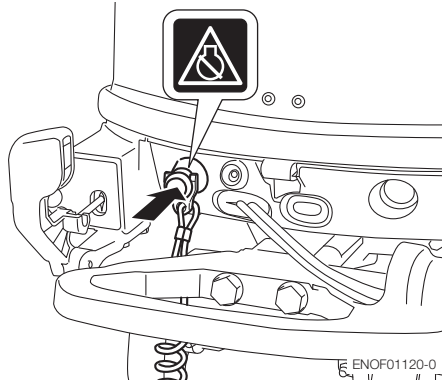
ENOF00866-0



ENOF01107-0

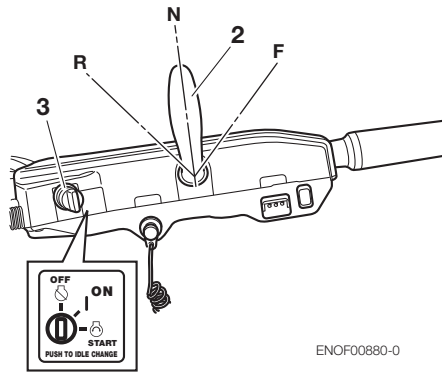
1. Throttle grip

2. Put the shift lever in the Neutral position.
Run the engine for 2-3 minutes at idling speed for cooling down if it has been running at full speed.
3. Push the stop switch for a few seconds to stop the engine.



ENOF01120-0

4. Turn the main switch key to the OFF position or push the stop switch. (Do not forget to turn the key off).

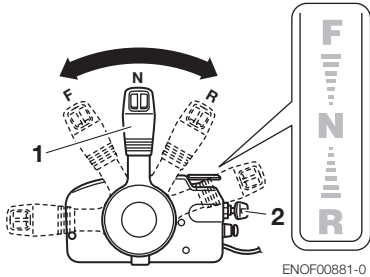


ENOF00880-0

1. Throttle grip
2. Shift lever
3. Main switch key

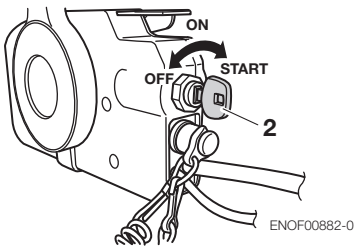
Side mount RC type

- Put the control lever in the Neutral position and run the engine for 2-3 minutes at idling speed for cooling down if it has been running at full speed.



ENOF00881-0

- Turn the main switch key to the OFF position or push the stop switch. (Do not forget to turn the key off).



ENOF00882-0

- Control lever
- Main switch key

ENOW00869-0

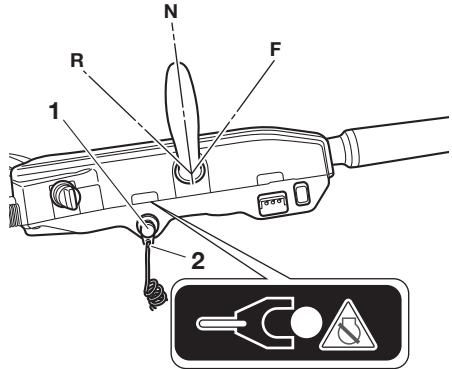
⚠ WARNING

After stopping the engine:

- Close the air vent screw on the fuel tank cap.
- Disconnect the fuel connector of the engine and the fuel tank.
- Disconnect the battery cord, after each use.

Emergency engine stopping

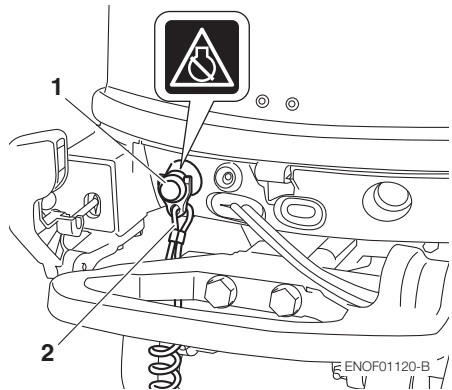
Remove stop switch lock to stop the engine.



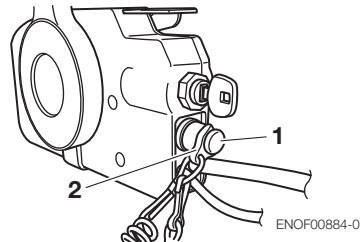
ENOF00883-A

- Stop switch
- Stop switch lock

7



ENOF01120-B



ENOF00884-0

- Stop switch
- Stop switch lock

ENOM00910-0

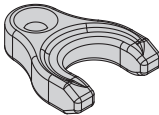
Spare emergency stop switch lock

A spare emergency stop switch lock is provided in the tool bag.

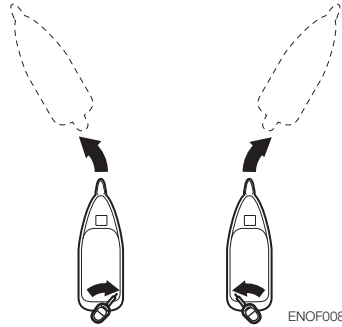
When used as described, the emergency stop switch clip and emergency stop switch lanyard system stops the engine if the operator falls away from the controls.

When an operator falls into water, be sure to use emergency stop switch lock of the spare.

Be sure to confirm the spare stop switch lock is in the tool bag before begin to operate.



ENOF00891-0



ENOF00892-0

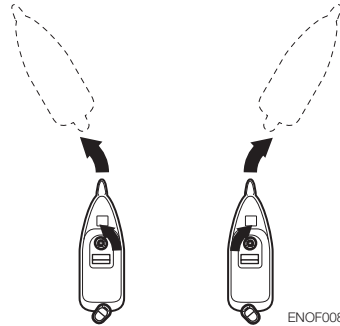
Remote control type

Right turn

Turn the steering wheel to the right.

Left turn

Turn the steering wheel to the left.



ENOF00893-0

ENOM00050-0

7. Trim angle

ENOW00043-A

WARNING

- Adjust the trim angle when the engine is stopped.
- Do not put hand or finger in between outboard motor body and clamp bracket when adjusting trim angle to prevent injury in case the outboard motor body falls.

ENOM00920-0

6. Steering

ENOW00870-0

WARNING

Sudden steering may cause passenger(s) to be thrown overboard or falling down.

Tiller handle type

Right turn

Move the tiller handle to the left

Left turn

Move the tiller handle to the right.

- **Unsuitable trim position can cause loss of control of boat.** When testing a trim position, run boat slow initially to see if it can be controlled safely.

ENOW00044-0

⚠ WARNING

Excessive trim up or down may lead to unstable boat operation, potentially causing the steering difficulty that leads to accident during cruising.

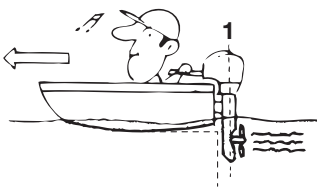
- **Do not cruise at high speed if improper trim position is suspected. Stop the boat and readjust trim angle before continuing cruise.**
- **For outboard motor model with PTT switch on the bottom cowl, do not operate the switch during cruising, or control of boat may be lost.**

The trim angle of the outboard motor can be adjusted to suit the transom angle of the hull, and load conditions. Choose an appropriate trim angle that will allow the anti-ventilation plate to run parallel to the water surface during operation.

ENOM00052-0

Proper trim angle

The position of the thrust rod is correct if the hull is horizontal during operation.



ENOF00051-1

1. Perpendicular to the water surface

ENOM00053-0

Improper trim angle (bow rises too high)

Set the thrust rod lower if the bow of the boat rises above horizontal.



ENOF00052-0

ENOM00054-0

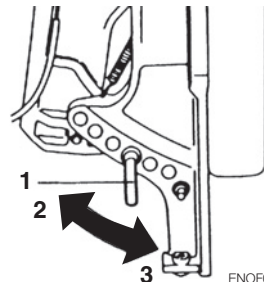
Improper trim angle (bow dips into the water)

Set the thrust rod higher if the bow of the boat is below horizontal.



ENOF00053-0

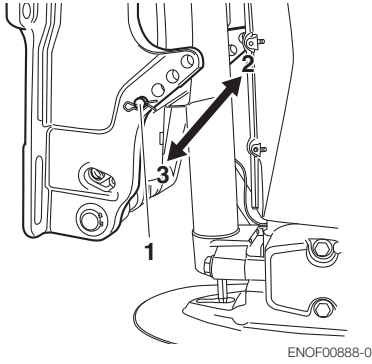
■ **Manual Tilt type**



ENOF00674-B

1. Thrust rod
2. Higher
3. Lower

■ Power Tilt type

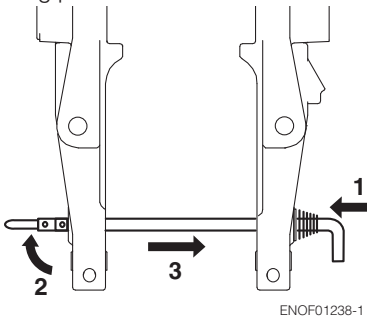


- 1. Thrust rod
- 2. Higher
- 3. Lower

Trim angle adjustment (Manual tilt type)

The transom angle adjustment

1. Stop the engine.
2. Shift into neutral.
3. Raise the outboard motor to the tilt up position.
4. Change the thrust rod position as following picture.

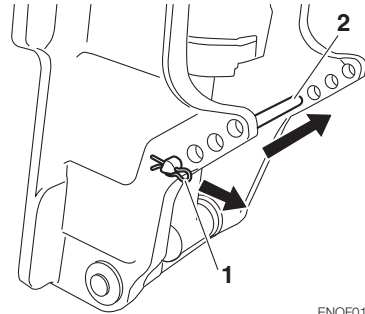


1. Push in
2. Rise the stopper
3. Pull out
5. Reinstall the thurst rod securely.
6. Gently lower the outboard.

Trim angle adjustment (Power tilt type)

The transom angle adjustment

1. Stop the engine
2. Operate the Power Tilt switch and raise the outboard motor to the tilt up position.
3. Lock the tilt with the Tilt stopper.
4. Change the trim lock pin position as following picture.



1. Snap pin
2. Thrust rod
5. Reinstall the thurst rod securely.
6. Operate the Power Tilt switch and lower the outboard.

ENOM00060-A

8. Tilt up and down

ENOW00055-0



Do not tilt up or down outboard motor when swimmer(s) or passenger is near to prevent them from being caught between outboard motor body and clamp bracket in case the outboard motor body falls.

ENOW00048-0

WARNING

When tilting up or down, be careful not to place your hand between the swivel bracket and the stern bracket.

Be sure to tilt the outboard motor down slowly.

ENOW00056-A

WARNING

When tilting up outboard motor with fuel joint for over a few minutes, be sure to disconnect fuel hose, or fuel may leak, potentially catching fire.

ENOW00057-0

CAUTION

Do not tilt up outboard motor while engine operates, or no cooling water may be fed, leading to engine seizure due to overheating.

ENON00921-0

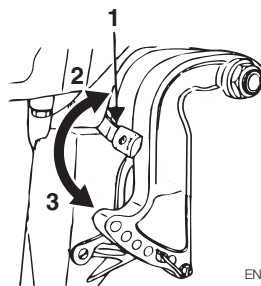
Note

Before tilting the outboard motor up, after stopping the motor leave it in the running position for about a minute to allow water to drain from inside the engine.

ENOM00062-0

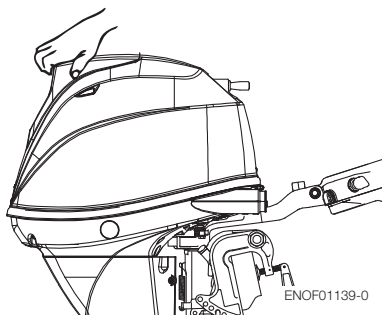
Manual Tilt type**Tilt up**

Push the reverse lock lever down until it stops. (This is the tilt up position.) Now, tilt the outboard motor all the way up until it is locked in place.



ENOF00059-0

1. Reverse lock lever
2. Tilt up position
3. Tilt down position

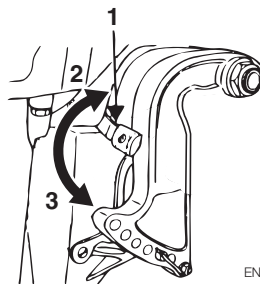


ENOF01139-0

ENOM00063-0

Tilt down

Pull the reverse lock lever upward until it stops. (This is the tilt down position.) Now, lift the outboard motor slightly, and then allow gravity to lower it for you.



ENOF00059-0

1. Reverse lock lever
2. Tilt up position
3. Tilt down position

ENOM00069-B

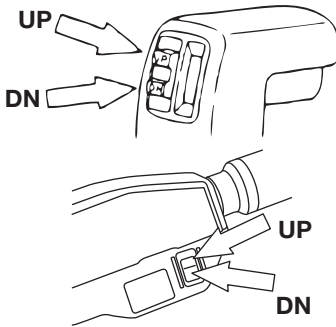
Power Tilt type

Tilt up

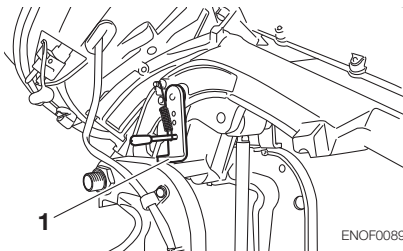
1. Operate the Power Tilt switch and tilt the outboard motor up.
2. Lock the tilt with the Tilt stopper after the outboard motor has been tilted up

Tilt down

1. Release the tilt stopper from the set-up position while slightly tilting up outboard motor.
2. Operate the Power Tilt switch and tilt the outboard motor down until the motor touches to the thrust rod.



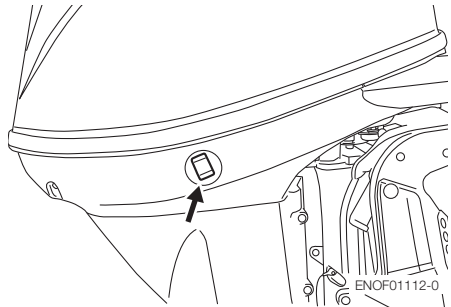
ENOF00067-1



ENOF00890-0

1. Tilt stopper

The outboard motor can also be tilted up and down using the switch provided under the bottom cowl.



ENOF01112-0

It is possible to tilt up or down in spite of main switch "ON" or "OFF".

ENOM00940-0

Manual relief valve

If the battery is dead, and the power tilt switch thus inoperative, open the manual valve completely in the Manual direction. This will allow manual tilting of the outboard motor.

ENOW00872-0

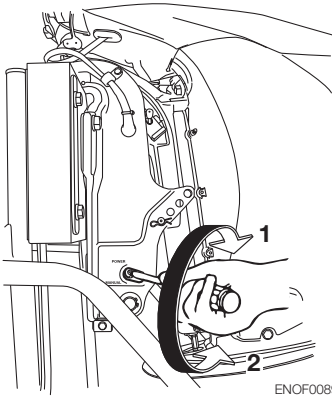


Make sure the manual relief valve is closed before operating the outboard motor. If the manual relief valve is not closed, the outboard motor will tilt up when operated in reverse.

ENOW00873-0



Before opening the manual relief valve, make sure nobody is under the outboard motor. If the outboard motor is in the tilted up position, it will tilt down suddenly if the manual relief valve is loosened in the "Manual" direction.



ENOF00892-0

- 1. Power
- 2. Manual

ENOM00068-A

9. Shallow water operation

ENOW00051-0

WARNING

During shallow water operation, be careful not to place your hand between the swivel bracket and the clamp bracket. Be sure to tilt the outboard motor down slowly.

ENOW00053-0

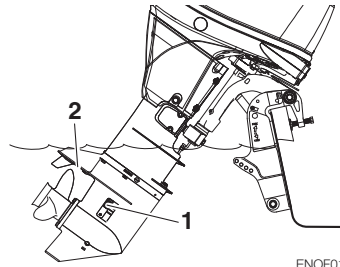
CAUTION

While in shallow water drive position, do not operate the outboard motor in Reverse. Operate the outboard motor at slow speed and keep the cooling water intake submerged.

ENOW00054-0

CAUTION

Do not overtilt outboard motor when driving shallow water, or air may be sucked through water inlet and sub-water inlet, potentially leading to engine overheating.



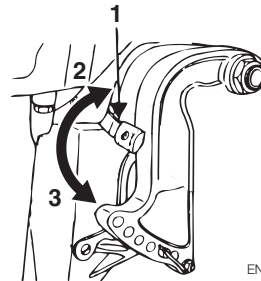
ENOF01144-0

- 1. Water inlet
- 2. Sub-water inlet

Manual tilt type

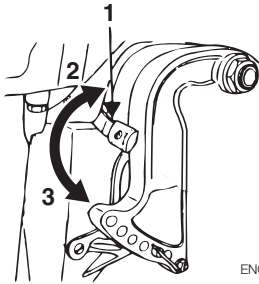
1. Shallow water running position:
Put the reverse lock lever in the tilt up position, and tilt up the outboard motor to put the outboard motor in the shallow water running position.

7



ENOF00059-0

- 1. Reverse lock lever
 - 2. Tilt up position
 - 3. Tilt down position
2. Return to normal running position:
Put the reverse lock lever in the tilt down position, slightly lift up the outboard motor, and then put it down.



ENOF00059-0

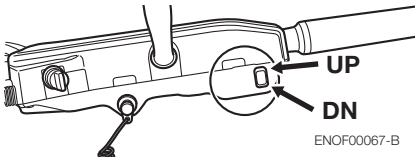
- 1. Reverse lock lever
- 2. Tilt up position
- 3. Tilt down position

ENOM00069-A

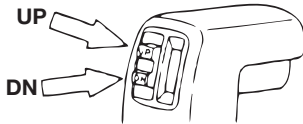
Power Tilt type

- 1. Operate the Power Tilt switch and tilt the outboard motor up into desired shallow water running position.

7



ENOF00067-B



ENOF00067-0

REMOVING AND CARRYING THE OUTBOARD MOTOR

ENOM00070-A

1. Removing the outboard motor

ENOW00890-0

WARNING

Before installing the outboard motor on the boat, hang the outboard motor with the hoist or equivalent device by attaching the engine hanger to the outboard.

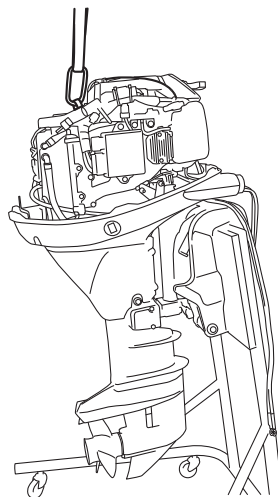
Use the hoist with allowable load is 150 kg (330 lbs) or above.

ENOW00064-0

CAUTION

Engine may be hot immediately after operating and could cause burns if touched. Allow engine to cool down before attempting to carry the outboard.

1. Stop the engine.
2. Remove the top cowl.
3. Disconnect the fuel connector, the remote control cables and the battery cords from the outboard motor.
4. Attach the hoist hooks to the engine hanger.
5. Remove the outboard motor from boat and completely drain the water from the gear case.



ENOF01102-0

ENOM00071-A

2. Carrying the outboard motor

ENOW00933-0

WARNING

Be sure to disconnect fuel connector except when operating engine.

Fuel leakage is a fire or explosion hazard, which can cause serious injury or death.

ENOW00065-0

WARNING

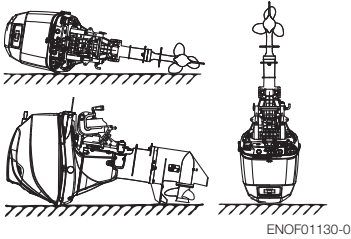
Close air vent screw of fuel tank before carrying or storing outboard motor and fuel tank, or fuel may leak, potentially catching fire.

ENOW00066-0

CAUTION

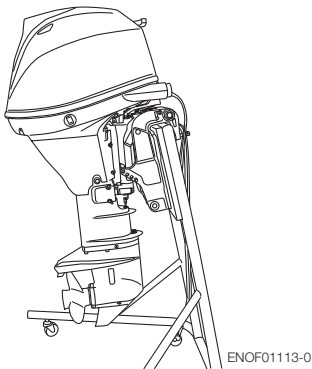
- Do not give a shock to an outboard motor during transportation. It becomes a cause of breakage.

- Do not carry or store outboard motor in any of positions described below. Otherwise, engine damage or property damage could result from leaking oil.



Keep the outboard motor in a vertical position when carrying. The optional outboard motor stand is recommended for keeping the outboard motor vertical both during transport and storage.

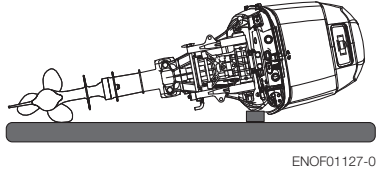
8



ENON00021-A
Note

- If the outboard motor must be laid down be sure drain the fuel and engine oil, then the port side faces down as shown in the drawing above.

- Elevate power unit 2 inches to 4 inches if traveling to avoid oil spillage.



ENOM00072-A

3. Trailingering

ENOW00072-0

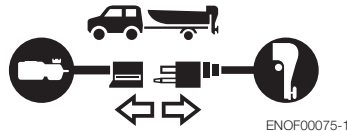


Trailingering in the tilted position may cause damage to the outboard motor, boat, etc.

ENOW00073-A



Be sure to disconnect fuel connector except when operating engine. Fuel leakage is a fire or explosion hazard, which can cause serious injury or death.



ENOW00068-0



Close air vent screw of fuel tank and fuel cock before carrying or storing outboard motor and fuel tank, or fuel may leak, potentially catching fire.

ENOW00071-0

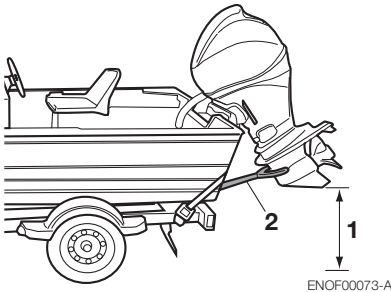
CAUTION

The tilt support device supplied on your outboard motor is not intended for towing. It is intended to support the outboard motor while the boat is docked, beached, etc.

When transporting a boat on a trailer with the outboard motor still attached, disconnect the fuel line from the outboard motor beforehand and keep the outboard motor in the normal running position or on a transom saver bar.

Tiller handle type

To prevent the outboard motor from moving when it is attached on a boat during transport on a trailer, properly tighten the steering friction lever (page 58).



ENOF00073-A

1. Ground clearance should be provided sufficiently.
2. Transom saver bar

ENOW00067-0

WARNING

Do not go under outboard motor tilted up even if it is supported by support bar, or accidental fall of outboard motor could lead to severe personal injury.

ADJUSTMENT

ENOM00073-0

1. Steering friction

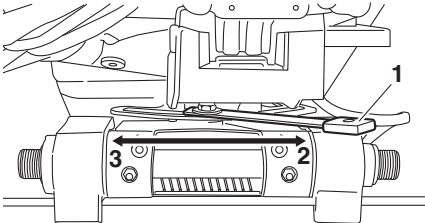
Tiller handle type

ENOW00074-A

! WARNING

Do not overtighten the steering friction lever it could result in difficulty of movement resulting in the loss of control causing an accident and could lead to severe injury.

Adjust this lever to achieve the desired steering friction (drag) on the tiller handle. Move lever towards (2) to decrease friction and move lever towards (3) to increase friction.



ENOF00910-0

1. Steering friction lever
2. Decrease
3. Increase

ENOM00074-A

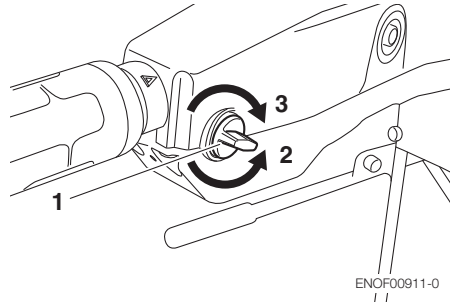
2. Throttle grip friction

ENOW00074-B

! WARNING

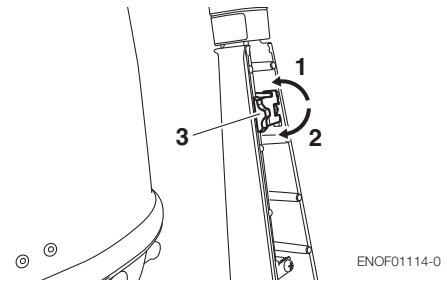
Do not overtighten the throttle adjustment screw or it could result in difficulty of movement resulting in the loss of control causing an accident and could lead to severe injury.

Friction adjustment of the throttle grip can be made with the throttle adjustment screw.



ENOF00911-0

1. Throttle friction adjustment screw
2. Decrease
3. Increase



ENOF01114-0

1. Decrease
2. Increase
3. Throttle friction adjustment screw

ENOM00075-0

3. Remote control lever friction

ENOW00074-C

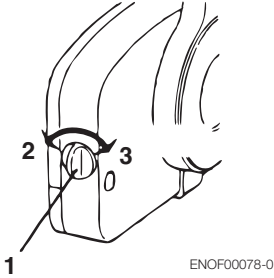
! WARNING

Do not overtighten the remote control throttle friction adjustment screw or it could result in difficulty of movement resulting in the loss of control causing an accident and could lead to severe injury.

To adjust the friction of the remote control lever, turn the throttle friction adjustment screw on the front of the remote control. Turn clockwise to increase the friction and

counter-clockwise to decrease it.

Side mount type



1. Throttle friction adjustment screw
2. Decrease
3. Increase

ENOM00076-0

4. Trim tab adjustment

ENOW00076-1

WARNING

- Be sure that outboard motor is secured to transom or service stand, or accidental drop or fall of outboard motor could lead to severe personal injury.
- Be sure to lock outboard motor when it is tilted up, otherwise accidental fall of outboard motor could lead to severe personal injury.
- Do not go under outboard motor tilted up and locked, or accidental fall of outboard motor could lead to severe personal injury.

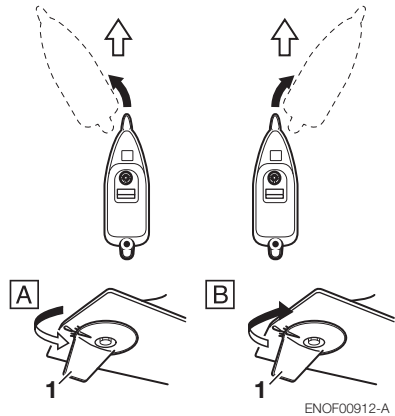
ENOW00075-1

WARNING

Inappropriate adjustment of trim tab could cause steering difficulty. After installing or readjusting trim tab, check if steering load is even.

If straight-line cruising can not be achieved, adjust the trim tab located under the anti-ventilation plate.

- If the boat veers toward the left direct the trim tab towards A (left from rear of boat).
- If the boat veers toward the right direct the trim tab towards B (right from rear of boat).



1. Trim tab

ENON00022-A

Notes

- After adjustment securely tighten the trim tab fixing bolt.
- Check for looseness of the bolt and the trim tab at regular intervals.

INSPECTION AND MAINTENANCE

ENOM00077-0

Care of your outboard motor

To keep your outboard motor in the best operating condition, it is very important that you perform daily and periodic maintenance as suggested in the maintenance schedules that follow.

ENOW00077-0



CAUTION

- **Your personal safety and that of your passengers depends on how well you maintain your outboard motor. Carefully observe all of the inspection and maintenance procedures described in this section.**
 - **The maintenance intervals shown in the checklist apply to an outboard motor in normal use. If you use your outboard motor under severe conditions such as frequent full-throttle operation, frequent operation in brackish water, or for commercial use, maintenance should be performed at shorter intervals. If in doubt, consult your dealer for advice.**
 - **We strongly recommend that you use only genuine replacement parts on your outboard motor. Damage to your outboard motor arising from the use of other than genuine parts is not covered under the warranty.**
-

ENOM00079-0

1. Daily Inspection

Perform the following checks before and after use.

ENOW00078-1



Do not use outboard motor if any abnormality is found during pre-operation check otherwise it could result in severe damage to the motor or severe personal injury.

Item	Points to Check	Remedy
Fuel System	<ul style="list-style-type: none"> • Check the amount of fuel in the tank. • Check for debris or water in the fuel filters. • Check the rubber hoses for fuel leakage. 	Replenish Clean or replace if necessary Replace if necessary
Fuel Tank Cap	<ul style="list-style-type: none"> • Check for crack, leakage, damage in the fuel tank cap. • Check for crack, damage in the gasket. • Check for leakage at full close. • Check for ratchet performance. 	Replace if necessary Replace if necessary Replace if necessary Replace if necessary
Engine Oil	<ul style="list-style-type: none"> • Check the oil level. 	Fill oil
Electrical Equipment	<ul style="list-style-type: none"> • Check that the main switch functions normally. • Check that the battery electrolyte level and specific gravity are normal. • Check for loose connections on the battery terminal. • Check that the stop switch functions normally and make sure the stop switch lock is there. • Check cords for loose connections and damage. • Check the spark plugs for dirt, wear and carbon build-up. • Check the warning horn (one beep) and warning LED lamp (ON for 5 to 7 secs.) when start up. 	Replace if necessary Replenish or recharge Retighten Remedy or replace if necessary Correct or replace if necessary Clean or replace if necessary Repair
Recoil starter	<ul style="list-style-type: none"> • Check the rope for wear and chafing. • Check the ratchet engagement. 	Replace if necessary Replace if necessary
Clutch and Propeller System	<ul style="list-style-type: none"> • Check that clutch engages correctly when operating the shift lever. • Visually Check propeller for bent or damaged blades. • Check the propeller nut is tightened and the split pin is present. 	Adjust Replace if necessary Tighten or replace
Installation of Motor	<ul style="list-style-type: none"> • Check all the bolts attaching the motor to the boat. • Check the thrust rod installation. 	Tighten Replace if necessary
Power Tilt	<ul style="list-style-type: none"> • Check working of the tilt up and down of the motor. 	Repair
Cooling Water	<ul style="list-style-type: none"> • Check that cooling water is discharged from the cooling water check port after the engine has started. 	Repair
Tools and Spares	<ul style="list-style-type: none"> • Check that there are tools and spare parts for replacing spark plugs, the propeller, etc. • Check that you have the spare rope and stop switch lock. 	Order Order

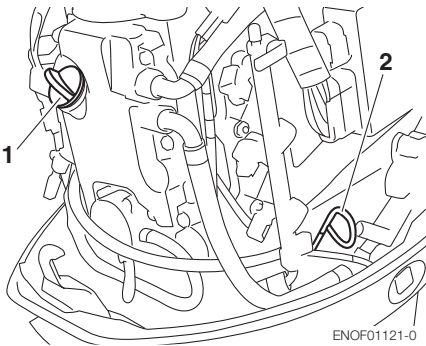
Item	Points to Check	Remedy
Steering Devices	<ul style="list-style-type: none"> • Check the operation of the steering handle. 	Repair
Other parts	<ul style="list-style-type: none"> • Check if the anode is securely installed. • Check the anode for corrosion and deformation. 	Repair if necessary Replace

ENOM00081-A

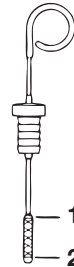
Oil level checking

If the oil level is low, or too high, the life of the engine will be shortened significantly.

1. Stop the engine and set it in a vertical position.
2. Remove the top cowl.
3. Remove the dipstick after 5 minutes engine has stopped.
4. Wipe oil off the oil dipstick with a clean rag.
5. Put in the dipstick.
6. Take out the dipstick and check the oil level.
7. Return the dipstick.



1. Filler cap
2. Dipstick



1. Upper level 1800 mL
2. Lower level 1600 mL

ENON00024-0

Note

The oil level should be checked when the engine is cold.

ENON00025-0

Note

Consult with an authorized dealer if the engine oil is milky color, or appears contaminated.

ENOM00082-A

Engine oil replenishing

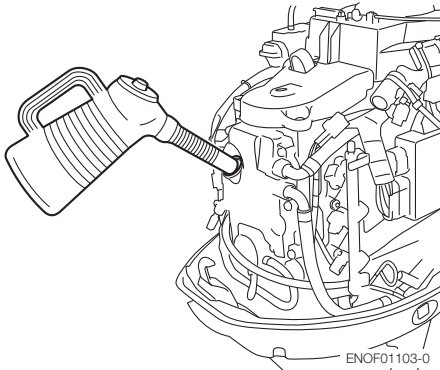
ENOW00079-A

CAUTION

- Do not add engine oil of brand and grade other than existing one. In case engine oil of other brand or grade is added, drain all oil and ask dealer for treatment.
- In case other than engine oil such as gasoline is put in the oil chamber, empty the chamber and ask dealer for treatment.
- When replenishing engine oil, be careful not to allow entry of foreign matters such as dust and water into oil chamber.

- Wipe off engine oil well immediately if spilled and dispose of it in accordance with local fire prevention and environment protection regulations.
- Do not replenish engine oil over upper limit. If overfilled, remove oil to upper limit. If engine oil is over the upper limit, it can leak potentially leading to engine damage.

If the oil level is low, or at lowest mark, add recommended oil to the middle dipstick mark.



ENOM00083-B

Washing outboard motor

ENOW00081-0

⚠ WARNING

Do not start engine without removing propeller, or accidentally turning propeller could cause personal injury.

ENOW00082-0

⚠ WARNING

Never start or operate the engine indoors or in any space which is not well ventilated. Exhaust gas contains carbon monoxide, a colorless and odorless gas which can be fatal if inhaled for any length of time.

ENOW00920-0

⚠ CAUTION

When washing the outboard motor, be careful not to spray the water inside of the top cowl, especially electrical components.

ENON00026-0

Note

It is recommended to check chemical properties of water on which your outboard motor is regularly used.

If outboard motor is used in salt water, brackish water or water with a high acidic level, use fresh water to remove salt, chemicals or mud. And flush cooling water passage after every cruising or before storing outboard motor for long time. Before flushing, remove the propeller and the forward thrust holder.

ENOM00085-A

Flushing attachment

ENOW00921-0

⚠ CAUTION

Do not operate the engine when flushing the outboard motor with a flushing attachment as this can cause damage to the outboard motor.

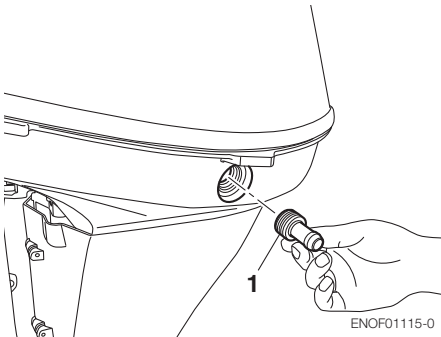
ENOW00922-0

⚠ CAUTION

To prevent the engine from starting when you are near the propeller, remove the stop switch lock.

1. Tilt down the outboard motor.
2. Remove the flushing connector cap from the outboard motor, and screw in the flushing attachment.

3. Connect a water hose. Turn on the water and adjust the flow.
Continue flushing the outboard motor for 3 to 5 minutes
4. After the flushing, be sure to reattach the flushing connector cap.
5. Tilt up the outboard motor.



1. Flushing attachment

ENOM00085-A

Flushing by test tank

ENOW00081-0

⚠ WARNING

Do not start engine without removing propeller, or accidentally turning propeller could cause personal injury.

ENOW00082-0

⚠ WARNING

Never start or operate the engine indoors or in any space which is not well ventilated. Exhaust gas contains carbon monoxide, a colorless and odorless gas which can be fatal if inhaled for any length of time.

ENOW00036-A

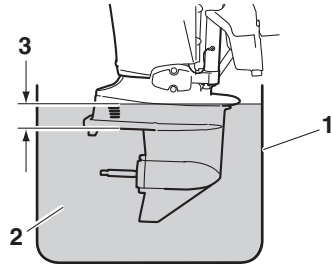
⚠ CAUTION

When the engine is started in the test tank, to avoid over heating and water pump

damage, be sure the water level is at least 10 cm (4 in.) above the anti ventilation plate.

And be sure to remove the propeller, when starting the engine in the test tank. (See page 72)

Run the engine only at idling.



ENOF00863-0

1. Test tank
2. Water
3. Over 10 cm (4 in.)

ENOM00950-0

Fuse replacement

ENOW00923-0

⚠ CAUTION

Before replacing a fuse, disconnect the battery cable from the battery negative (-) terminal. Failure to do so may cause a short-circuit.

ENOW00924-0

⚠ CAUTION

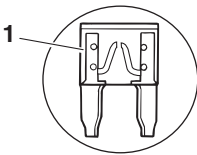
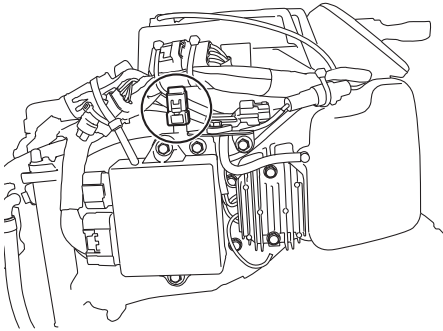
Never use a fuse with a rating that exceeds the specified rating as this could cause serious damage to the electrical system.

If a blown fuse is detected, try to determine the cause for this and correct it. If the cause for the problem is not corrected, the fuse will likely blow again.

If the fuse continues to blow, request an

authorized Tohatsu dealer to inspect the outboard motor.

1. Stop the engine and disconnect the battery cable from the battery negative (-) terminal.
2. Remove the engine cover.
3. Remove the fuse box lid.
4. Remove the fuse and check it. If the fuse is blown, replace it with a fuse of the same specified rating. The outboard motor is supplied with spare fuses in the spare fuse holder.



ENOF01122-0

1. Blown fuse

ENOM00090-0

2. Periodic Inspection

It is important to inspect and maintain your outboard motor regularly. At each interval on the chart below, be sure to perform the indicated servicing.

Maintenance intervals should be determined according to the number of hours or number of months, whichever comes first.

Description		Inspection intervals				Inspection procedure	Remarks
		First 20 hours or 1 month	Every 50 hours or 3 months	Every 100 hours or 6 months	Every 200 hours or 1 year		
Fuel System	High pressure fuel filter*1					Replace every 200 hrs or 2 years	
	Fuel filter	•	•			Check and clean or Replace if necessary. (See page 70)	
	Piping/Hoses	•	•			Check and clean or Replace if necessary.	
	Fuel tank	•		•		Clean (See page 70)	
	Fuel tank cap	•	•			Check and clean or Replace if necessary.	
	Fuel pump*1	•	•			Check and clean or Replace if necessary.	
Ignition	Spark plug	•		•		Check gaps. Remove carbon deposits or Replace if necessary. (See page 73)	0.8-0.9 mm (0.031-0.035 in)
Starting System	Starter rope	•	•			Check for wear or chafing	
	Starter motor*1			•		Check for salt deposits and the battery cable condition.	
	Battery	•	•			Check installation, fluid quantity, gravity.	
Engine	Engine oil	Replace •		Replace •		Replace. (See page 62)	1800 ml (63.3 fl.oz.)
	Oil filter*1					Replace every 200 hrs or 2 years (See page 69)	Entire cartridge
	Valve Clearance*1	•		•		Check & adjust	IN: 0.13-0.17 mm (0.0051-0.0067 in) EX: 0.18-0.22 mm (0.0071-0.0087 in)
	Timing belt*1			•		Check and Replace if necessary.	
	Compression pressure *1				•	Check and repair if necessary.	
	Air filter *1					Replace every 200 hrs or 2 years	
	Combustion chamber *1					Clean every 200 hrs or 2 years	
Thermostat*1			•		Check and Replace if necessary.		

Description		Inspection intervals				Inspection procedure	Remarks
		First 20 hours or 1 month	Every 50 hours or 3 months	Every 100 hours or 6 months	Every 200 hours or 1 year		
Lower Unit	Propeller	•	•			Check for bent blades, damage, wear. Replace if necessary. (See page 72)	
	Gear oil	Replace •	•	Replace •		Change or replenish-oil and check for water leaks. (See page 71)	360 mL (12.2 fl.oz.)
	Cooling water inlet	•	•			Check clogging	
	Water pump ^{*1}		•		Replace •	Check for wear or damage and replace if necessary	Replace impeller every 12 months.
Power tilt ^{*1}		•		•		Check & replenish oil, manually operate	
Warning system ^{*1}			•			Check function	
Bolts and Nuts		•	•			Retighten	
Throttle wire				•			
Remote control cable			•				
Sliding and Rotating Parts. Grease Nipples		•	•			Apply and pump in grease. (See page 77)	
Outer Equipment		•	•			Check for corrosion.	
Anode				•		Check for corrosion and deformation.	Replace if necessary.

*1: Have this handled by your dealer.

ENON00030-0

Note

Your outboard motor should receive careful, and complete inspection at 300 hours. This is the best time for major maintenance procedures to be carried out.

ENOM00091-A

Engine oil replacement

ENOW00091-0



You may be injured due to high engine temperatures if you fill engine oil just after stopping. Changing engine oil should be done after the engine has been cooled.

ENOW00092-A



- **Do not overfill engine oil, or engine oil could leak and/or engine could be damaged. If engine oil level is over upper limit marks of oil gauge, drain oil to level lower than upper limit.**

- **Be sure that outboard motor is in upright and level position when checking or changing oil.**
- **Stop engine immediately if low oil pressure warning lamp is lit or oil leak is found, or engine could be severely damaged. Consult dealer.**
- **Wipe off engine oil well immediately if spilled and dispose of it in accordance with local fire prevention and environment protection regulations.**

ENOW00090-0



Use of engine oils that do not meet these requirements will result in reduced engine life, and other engine problems.

ENOW00933-0

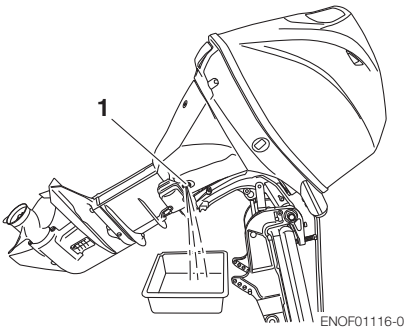
CAUTION

Engine oil mixed with dust or water will dramatically shorten the life of the engine.

To change engine oil:

Be sure to use recommended engine oil (see page 13).

1. Stop the engine and allow it to cool.
2. Tilt up the outboard motor and lock the tilt with the tilt stopper.
3. Turn the steering on the outboard motor so that the drain hole is facing downward.
4. Put a oil drain pan under the oil drain screw.
5. Remove the oil drain screw and completely drain oil from the engine.



ENOF01116-0

6. Tighten the oil drain screw with applying oil on the sealing surface of screw. (Use new oil drain washer)

Oil drain screw specified torque

24N·m (17 ft·lb, 2.4 kgf·m)

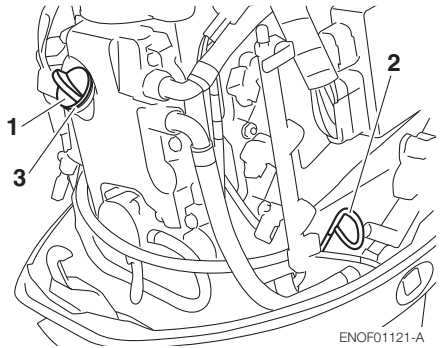
ENON00028-A

Note

If a torque-wrench is not available when you are fitting a oil filter, a good estimate of the correct torque is 3/4 to 1 a turn past finger-

tight. Have the oil filter adjusted to the correct torque as soon as possible with a torque-wrench.

7. Reset the engine in a vertical position.
8. Repeat 3 to 7 procedures two or three times to drain the oil completely.
9. Remove the top cowl and the oil filler cap.
10. Fill the engine through filler port with recommended oil (see chart below) to the middle of dipstick mark.
11. Tighten the oil filler cap.



ENOF01121-A

1. Filler cap
2. Dipstick
3. Filler port



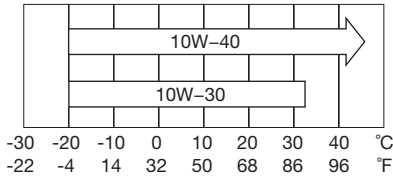
ENOF00113-0

1. Upper limit (Max.)
2. Lower limit (Min.)

ENON00920-0

Note

Use only recommended engine oil (See page 13)



ENOF00208-0

Oil volume needed for complete oil replacement	
With oil filter replacement	Without oil filter replacement
1800 mL (63.3 fl.oz.)	1600 mL (56.3 fl.oz.)

ENOW00925-0

CAUTION

Wipe off engine oil well immediately if spilled and dispose of it in accordance with local fire prevention and environment protection regulations.

ENON00031-0

Note

- If any amount of water is found in engine oil, making it milky white, consult dealer.
- If engine oil is contaminated with fuel, emitting strong fuel smell, consult dealer.
- Some oil dilution is normal if engine is idled or trolled for long periods, especially in cooler water temperatures.

ENOM00092-A

Oil filter replacement

ENOW00091-0

CAUTION

You may be injured due to high engine temperatures if you fill engine oil just after stopping. Changing engine oil should be done after the engine has been cooled.

ENOW00926-0

CAUTION

Wipe off engine oil well immediately if spilled and dispose of it in accordance with local fire prevention and environment protection regulations.

1. Drain oil from the engine.
2. Place a rag or towel below the oil filter to absorb any spilled oil.
3. Unscrew old filter by turning the filter to counter clockwise.
4. Clean the mounting base. Apply film of clean oil to O-ring.

Do not use grease.

Install oil filter and tighten it to specified torque by using oil filter wrench.

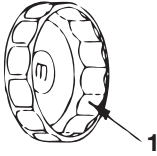
Oil filter torque:

18 N·m (13 ft·lb, 1.8 kgf·m)

ENON00028-A

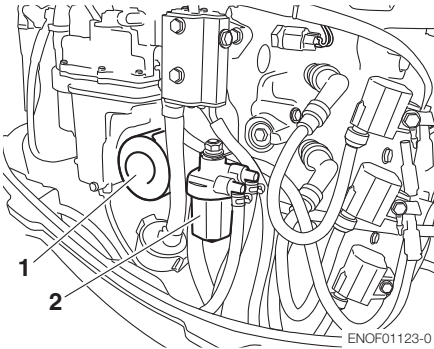
Note

If a torque-wrench is not available when you are fitting a oil filter, a good estimate of the correct torque is 3/4 to 1 a turn past fingertight. Have the oil filter adjusted to the correct torque as soon as possible with a torque-wrench.



ENOF00094-0

1. Oil filter wrench
P/N 3AC-99090-0
P/N 3AC99090M
(US, CANADA Only)



ENOF01123-0

1. Oil filter
2. Fuel filter

ENOM00093-A

Fuel filters and fuel tank cleaning

ENOW00093-A

WARNING

Gasoline and its vapors are very flammable and can be explosive.

- Do not start this procedure while engine is operating or hot even after stopping it.
- Place fuel filter away from every source of ignition such as sparks or open flames.
- Wipe off gasoline well immediately if spilled and dispose of it in accordance with local fire prevention and environment protection regulations.

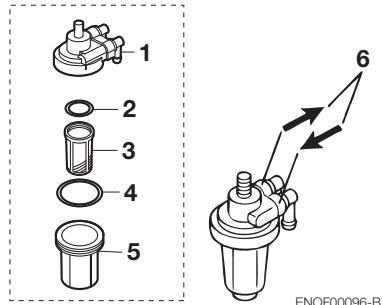
- Install fuel filter with all related parts in place, or fuel leak could occur, leading to catching fire or explosion.
- Check fuel system regularly for leakage.
- Contact authorized dealer for fuel system services. Services by unqualified person could lead to engine damage.

Fuel filters are provided inside the fuel tank and engine.

ENOM00094-0

Fuel filter (for engine)

1. Check in the cup for water and debris.



ENOF00096-B

1. Body
2. O-ring
3. Filter
4. O-ring
5. Cup
6. Arrow to indicate fuel flow direction

2. If present, disconnect hoses from the fuel connector (male) and the fuel pump.
3. Remove the cup, filter and O-rings from the fuel filter body.
4. Check the wear and clogging for each parts, and replace if necessary.
5. Remove fuel and any water or debris from the cup, filter and hoses.
6. Reassemble all parts.

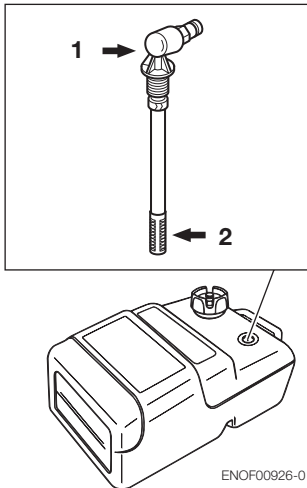
ENOM00096-A

Fuel filter (for fuel tank)

Water or dirt in the fuel tank will cause engine performance problems.

Check and clean the tank at specified times or after the outboard motor has been stored for a long period of time (over three months).

1. Remove the fuel pickup elbow of the fuel tank by turning it counterclockwise
2. Clean the fuel filter and check the O-ring. Replace it if necessary.
3. Reassemble all parts.



ENOF00926-0

1. Fuel pickup
2. Filter

ENOM00098-A

Gear oil replacement

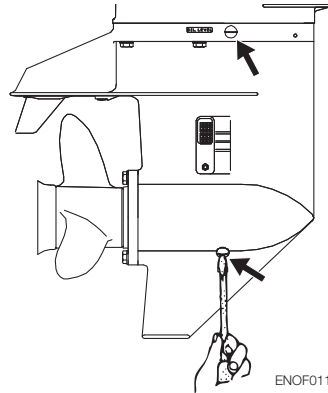
ENOW00094-0

⚠ WARNING

- **Be sure that outboard motor is secured to transom or service stand, or accidental drop or fall of outboard motor could lead to severe personal injury.**

- **Be sure to lock outboard motor if it is tilted up, or accidental fall of outboard motor could lead to severe personal injury.**
- **Do not go under outboard motor tilted up and locked, or accidental fall of outboard motor could lead to severe personal injury.**

1. Tilt down the outboard motor.
2. Remove the oil plugs (lower and upper), and completely drain the gear oil into a pan.



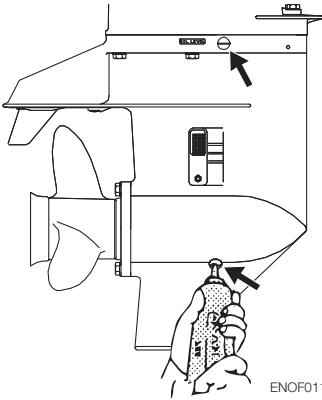
ENOF01133-0

3. Insert the oil tube nozzle into the lower oil plug hole, and fill with gear oil by squeezing the oil tube until oil flows out of the upper plug hole and bubbles is disappeared to remove the air.

ENON00033-0

Note

Use genuine gear oil or the recommended one (API GL-5: SAE #80 to #90). Required volume: approx. 360 mL (11.8 fl.oz.).



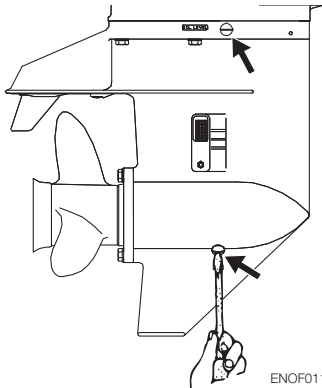
ENOF01132-0

4. Install the upper oil plug, and then remove oil tube nozzle and install the lower oil plug.

ENOW00095-0

CAUTION

Do not reuse oil plug gasket. Always use new gasket and tighten oil plug properly to prevent entry of water into lower unit.



ENOF01133-0

ENOW00928-0

CAUTION

Wipe off gear oil well immediately if spilled and dispose of it in accordance with local

fire prevention and environment protection regulations.

ENON00032-0

Note

If water in the oil, giving it a milky colored appearance. Contact your dealer.

ENON00033-0

Note

Use genuine gear oil or the recommended one (API GL-5; SAE #80 to #90). Required volume: approx. 360 mL (11.8 fl.oz.).

ENOM00086-A

Propeller replacement

ENOW00084-0

WARNING

- Do not begin propeller removal and installation procedure with spark plug caps attached, shift in forward or reverse, main switch at other than "OFF", engine stop switch lock attached to the switch, and starter key attached, or engine could accidentally start leading to serious personal injury. Disconnect battery cable if possible.
- The propeller edge is thin and sharp. Wear the groves during replacement to protect your hands.

ENOW00086-0

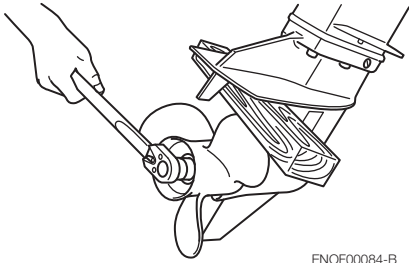
CAUTION

- Do not install propeller without thrust holder, or propeller boss could be damaged.
- Do not reuse split pin.
- After installing split pin, spread the pin apart to prevent it from falling out which could lead to the propeller coming off during operation.

A worn-out or bent propeller will lower the

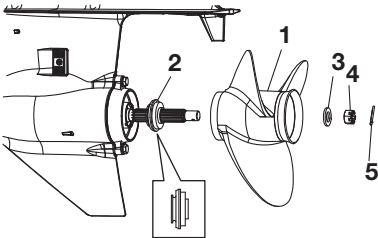
motor's performance, and cause engine trouble.

1. Put a piece of wood block between propeller blade and anti-ventilation plate to hold propeller.



ENOF00084-B

2. Remove the split pin, propeller nut and washer.
3. Remove the propeller and thrust holder.
4. Apply water proof grease to the propeller shaft before installing a new propeller.
5. Install the thrust holder, propeller, stopper, washer and propeller nut onto the shaft.



ENOF00084-C

1. Propeller
2. Thrust holder
3. Washer
4. Propeller nut
5. Split pin

6. Tighten the propeller nut to specified torque, and align one of grooves to propeller shaft hole.

Propeller nut torque:

25 N·m (18 ft·lb, 2.5kgf·m)

7. Install a new split pin into the nut hole and bend it.



ENOF00084-D

ENOM00087-A

Spark plugs replacement

ENOW00087-0

WARNING

- Do not reuse spark plug with damaged insulation, or sparks can leak through crack, potentially leading to electric shock, explosion and/or fire.
- Do not touch spark plugs immediately after stopping engine as they will be hot and could cause severe burns if touched. Allow motor to cool down first.

ENOW00929-0

CAUTION

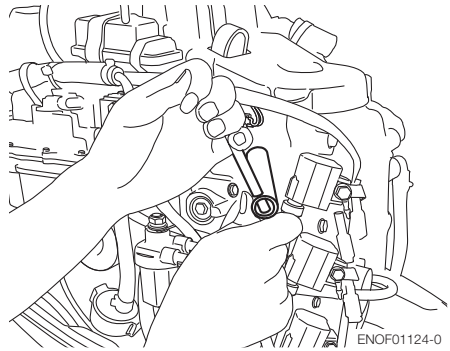
Use only the recommended spark plugs. Spark plugs which have an different heat range may cause engine damage.

If the spark plug(s) is fouled, has carbon build up, or is worn, it should be replaced. When reusing spark plugs, remove dirt from the electrodes and adjust spark gap to specification.

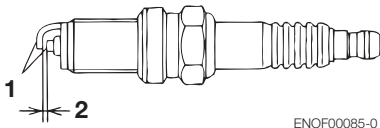
1. Stop the engine.

2. Remove the top cowl.
3. Remove the spark plug caps.
4. Remove the spark plugs by turning it counter-clockwise, using a 5/8" (16 mm) socket wrench and handle that is provided in tool bag.
5. Inspect the spark plug. Replace the spark plug if the electrodes are worn or if the insulators are cracked or chipped.
6. Measure the spark plug electrode gap with a wire type feeler gauge. The gap should be 0.8-0.9 mm (0.031-0.035 inches). If the gap is different, replace the spark plug with a new one. Use spark plug NGK DCPR-6E.

the correct torque as soon as possible with a torque-wrench.



ENOF01124-0



ENOF00085-0

1. Electrode
2. Spark gap (0.8–0.9 mm, 0.031–0.035 in)

7. Install the spark plug by hand and turn it carefully to avoid cross-threading.
8. Tighten the spark plug to the specified torque.

ENON00028-0

Note

- **Spark plug torque:**
18.0 N·m (13.3 ft·lb) [1.84 kgf·m]

If a torque-wrench is not available when you are fitting a spark plug, a good estimate of the correct torque is 1/4 to 1/2 a turn past finger-tight. Have the spark plug adjusted to

ENOM00088-A

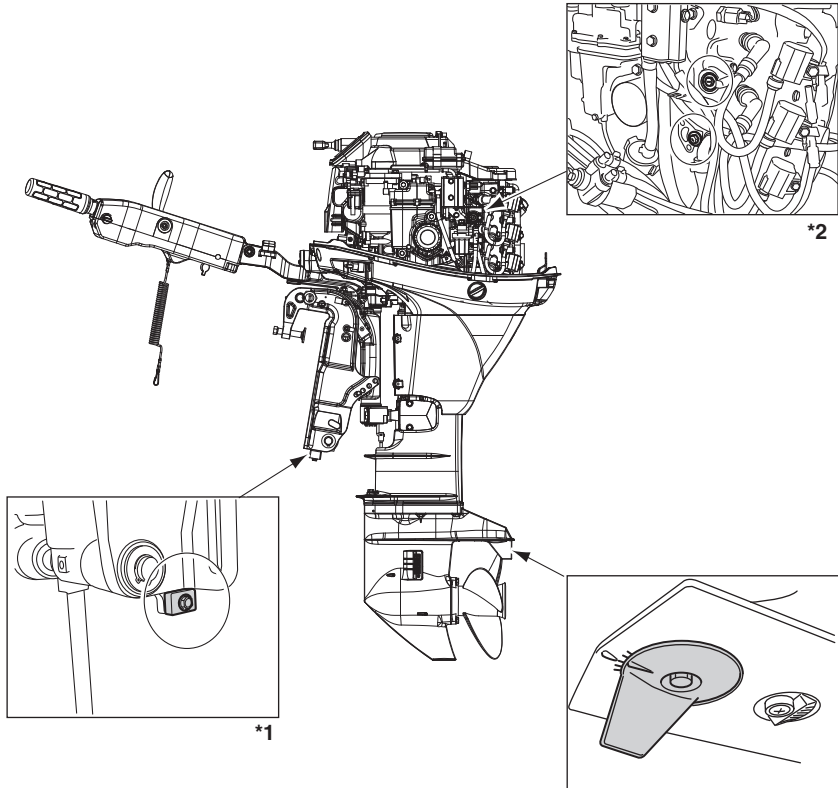
Anode replacement

A sacrificial anode protects the outboard motor from electrolytic corrosion. Anode is located on the gear case, cylinder etc.. When the anode is eroded more than 1/3 of original size, replace it.

ENON00029-0

Notes

- Never grease or paint the anode.
- At each inspection re-tighten the anode attaching bolt. As it is likely to be subjected to electrolytic corrosion.



*1 : Both side

*2 : Remove fuel filter to access the anode.

ENOF01125-0

ENOM00089-B

Power Tilt oil checking

ENOW00088-0

⚠ WARNING

- Be sure that outboard motor is secured to transom or service stand, or accidental drop or fall of outboard motor could lead to severe personal injury.
- Be sure to lock outboard motor if it is tilted up, or accidental fall of outboard motor could lead to severe personal injury.
- Do not go under outboard motor tilted up and locked, or accidental fall of outboard motor could lead to severe personal injury.

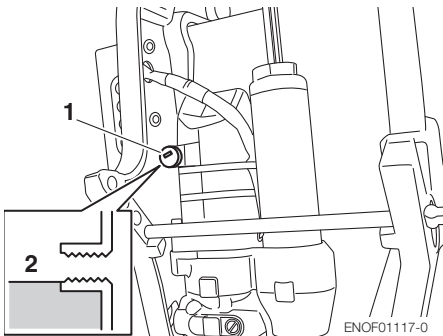
ENOW00089-A

⚠ CAUTION

Do not unscrew the oil cap with the outboard motor tilted down. Pressurized oil in the oil tank may spurt out.

Check the oil level in the reservoir tank while the tank is kept in a vertical position.

1. Tilt the outboard motor up and lock the tilt with the tilt stopper.
2. Remove the oil cap by turning counter clockwise, then check if the oil level reaches the bottom line of the plug hole.



1. Oil cap
2. Oil level

Recommended oil

Use an automatic transmission fluid or equivalent.

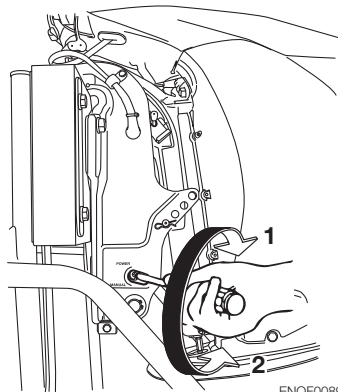
Recommended oils are as shown below.

ATF Dexron III

Air purging from the Power Trim and Tilt unit.

Entrapped air in the Power Tilt unit will cause poor tilting movement and increased noise.

1. With the outboard motor mounted on the boat, set the manual release valve to the Manual side, and tilt the outboard motor manually up/down 5-6 times while checking the oil level.
2. When done, close the valve by turning it clockwise towards the Power side.

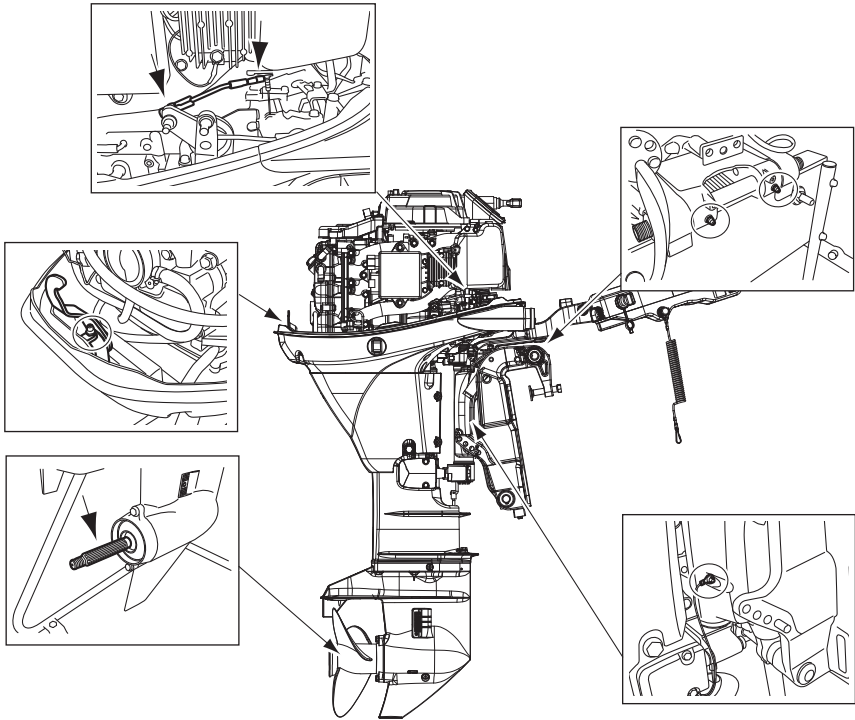


1. POWER
2. MANUAL

ENOM00960-0

Grease point

Apply water proof grease to the parts shown below.



ENOM00100-A

3. Off-season storage

ENOW00934-0

WARNING

- **Be sure to disconnect fuel connector except when operating engine.**
- **Fuel leakage is a fire or explosion hazard, which can cause serious injury or death.**

ENOW00097-0

WARNING

Be sure to use cloth to remove fuel remaining in the cowl and dispose of it in accordance with local fire prevention and environment protection regulations.

ENOW00096-0

CAUTION

Before servicing the motor for storage:

- **Remove the battery cables.**
- **Remove the spark plug caps from the spark plugs.**
- **Do not run the motor out of the water.**

Before you put your outboard motor in storage, it is a good opportunity to have it serviced and prepared by your dealer.

Be sure to use fuel stabilizer while running the motor before storage. (See page 79)

ENOM00101-A

Engine

1. Wash the engine exterior and flush the cooling water system thoroughly with fresh water. Drain the water completely.
Wipe off any surface water with an oily rag.

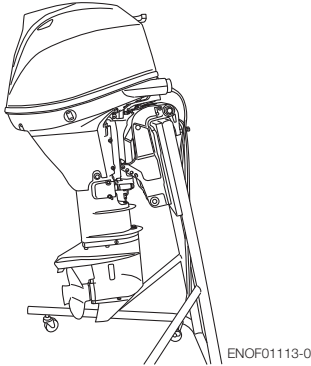
2. Remove the fuel hose from the outboard motor.
3. Drain all fuel from the fuel hoses, fuel pump, fuel filter (See page 70) and vapor separator (See page 80), and clean these parts.
Keep in mind that if gasoline is kept in the vapor separator for a long time, gum and varnish will develop, causing the float valve to stick, restricting the fuel flow.
4. Remove the spark plugs and put a teaspoon of engine oil or spray storage oil into the combustion chamber through the spark plug holes.
5. Turn the starter motor several turns to lubricate inside the cylinder.

ENOW00930-0

WARNING

- **Be sure to remove stop switch lock to prevent ignited the spark plugs.**
 - **Put a cloth to spark plug hole and wipe up any spilled engine oil, when cranking the outboard motor.**
6. Change the engine oil (See page 67).
 7. Change the gear oil in the gear case (See page 71).
 8. Apply grease to grease point (See page 77).

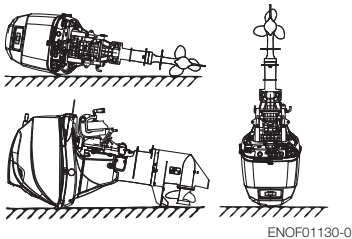
9. Stand the outboard motor up vertically in a dry place.



ENOW00066-0

⚠ CAUTION

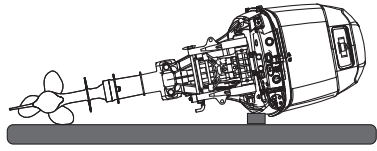
Do not carry or store outboard motor in any of positions described below. Otherwise, engine damage or property damage could result from leaking oil.



ENON00021-A

Note

- If the outboard motor must be laid down be sure drain the fuel and engine oil, then the outboard motor on a cushion as shown in the drawing below (See page 79 and 68).
- Elevate power unit 2 inches to 4 inches if traveling to avoid oil spillage.



ENOF01127-0

ENOM00950-0

Adding a fuel stabilizer

When adding a fuel stabilizer additive (commercially available), first fill the fuel tank with fresh fuel. If the fuel tank is only partially filled, air in the tank can cause the fuel to deteriorate during storage.

1. Before adding fuel stabilizer additive, drain the vapor separator (See page 80).
2. Follow the instructions on the label when adding the fuel stabilizer additive.
3. After adding the additive, let the outboard motor run in the water for 10 minutes to make sure any old fuel in the fuel system has been completely replaced by the fuel with additive.
4. Turn the engine OFF

ENON00891-0

Note

If your motor is used occasionally, it is recommended to use a good fuel stabilizer in every tank of fuel and keep the container full to reduce condensation and evaporation.

ENOM00970-0

Fuel system draining

ENOW00028-A

⚠ WARNING

For details on handling fuel, contact an authorized dealer.

Fuel and fuel vapors are extremely flammable and can be explosive.

- If fuel is spilled, wipe it up immediately.
- Keep the fuel tank well away from sources of ignition, e.g. sparks or open flames
- Perform all work outdoors or in a well ventilated place.

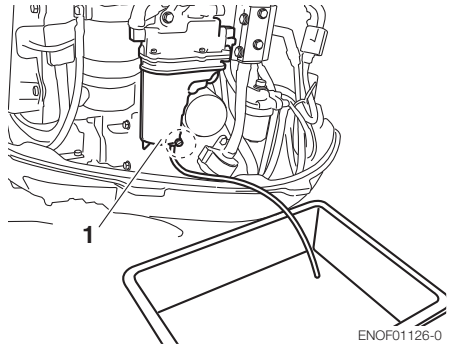
ENOW00097-0

⚠ WARNING

Be sure to use cloth to remove fuel remaining in the cowl and dispose of it in accordance with local fire prevention and environment protection regulations.

1. Disconnect the fuel hose from the outboard motor.
2. Remove the top cowl.
3. Release the drain tube from the clamp and pull the tube outside the bottom cowl. Place an approved fuel container under the drain tube end and use a funnel to avoid spilling fuel.
4. Loosen the vapor separator drain screw.
5. Tilt up the outboard motor until fuel flows out of the drain tube.
6. Leave the outboard motor in this position until all fuel has been drained.
7. When thoroughly drained, retighten the drain screw securely.

8. Check the drained fuel for the presence of water or other contaminants. If either is present, reassemble the outboard motor, refill the vapor separator with fuel, and then drain the fuel again. Repeat this procedure until no water or other contaminants are present in the drained fuel.



1. Vapor separator

ENOF01126-0

ENOM00102-0

Battery

ENOW00931-A

⚠ WARNING

- Place the battery away from any source of fire, sparks and open flames such as burners or welding equipment.
- Place the battery away from fuel tank. Accidental sparks of battery may cause explosion of gasoline.

1. Disconnect the battery cables and be sure to remove the negative terminal first.
2. Wipe off any chemical deposits, dirt, or grease.
3. Apply grease to the battery terminals.
4. Charge the battery completely before storing it for the winter.

5. Recharge the battery once a month to prevent it from discharging and the electrolyte from deteriorating.
6. Store the battery in a dry place.

ENOM00104-A

4. Pre-season check

The following steps must be taken when first using the engine after off-season storage.

1. Check that the shift and throttle function properly. (Be sure to turn the propeller shaft when checking the shift function or else the shift linkage may be damaged.)
2. Check the electrolyte level, and measure the voltage and specific gravity of the battery.

Specific Gravity at 20°C	Terminal Voltage (V)	Charge Condition
1.120	10.5	Fully discharged
1.160	11.1	1/4 charged
1.210	11.7	1/2 charged
1.250	12	3/4 charged
1.280	13.2	Fully charged

3. Check that the battery is secure and the battery cables are properly installed.
4. Change the engine oil (See page 67).
5. Before starting the engine, disconnect stop switch lock and crank approximately 10 pulling the recoil starter (Manual start model) or 3times of 3sec. turning the starter motor (Electric start model) in order to prime the oil pump.
6. Fill fuel tank completely.

7. Start the engine and warm up the engine for 3 minutes in the "NEUTRAL" position.
8. Run the engine for 5 minutes at the slowest speed.
9. Run the engine for 10 minutes at half throttle. The oil used for storage inside the engine will be circulated out to assure optimum performance.

ENOM00105-A

5. Submerged outboard motor

ENOW00098-0

CAUTION

Do not attempt to start submerged outboard motor immediately after it is recovered, or engine could be severely damaged.

After taking your outboard motor out of the water, immediately take it to your dealer.

The following are the emergency measures to be taken for a submerged outboard motor, if you can not take it your dealer right away.

1. Wash the outboard motor with fresh water to remove salt or dirt.
2. Remove the engine oil drain screw and completely drain water and oil from the engine.
3. Remove the spark plugs, and completely drain the water from the engine by pulling recoil starter several times. Replace oil filter and oil to the correct level.
The oil and filter may need to be changed again after running a short period to get all moisture completely out of the crankcase.

- Inject a sufficient amount of engine oil through the spark plug holes.
Pull the recoil starter rope several times to circulate the oil throughout the outboard motor.

ENOM00106-A

6. Cold weather precautions

If you moor your boat in cold weather at temperatures below 0°C (32°F), there is the danger of remained water freezing in the cooling water pump, which may damage the pump, impeller, etc. To avoid this problem, submerge the lower half of the outboard motor into the water.

ENOM00107-A

7. Striking underwater object

ENOW00935-0



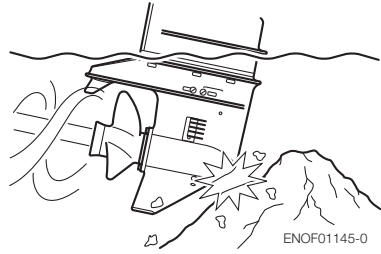
CAUTION

Striking the sea bottom or an underwater object may severely damage the outboard motor.

10

Follow the procedure below and consult a dealer as soon as possible.

- Stop the engine immediately.
- Check the control system, gear case, boat transom etc.
- Return to the nearest harbor slowly and carefully.
- Consult a dealer check the outboard motor before operation again.



ENOF01145-0

ENOM00121-0

8. Operation with multiple outboard motors

When operating the outboard motors in reverse at more than the lowest speed, be sure that all engines are running.

If any engine has stopped, be sure to tilt the outboard motor up and keep its propeller out of the water.

Otherwise, water could enter the engine and cause damage to it.

TROUBLESHOOTING

ENOM00108-0

If you encounter a problem, consult the check list below to determine the cause and to take the proper action.

An authorized dealer will always be happy to provide any assistance and information.

	Difficult to start engine	Engine runs erratically	Low engine speed/ Poor boat speed	Battery will not hold charge	Starter motor will not crank	Power T inoperative	Warning lamp "ON"	Warning buzzer "ON"	Possible cause
FUEL SYSTEM	●								Empty fuel tank
	●	●	●						Incorrect connection of fuel system
	●	●	●						Air entering fuel line
	●	●	●						Deformed or damaged fuel hose
	●	●	●						Closed air vent on fuel tank
	●	●	●						Clogged fuel filter, vaporseparator or fuel pump
	●	●	●						Fuel pump malfunction
			●						Use of improper engine oil
	●	●	●						Use of improper gasoline
			●						High pressure fuel pump (FFP) low performance or clogging
			●				●	●	Low engine oil level
			●						High engine oil level (smoke happens)
ELECTRICAL SYSTEM			●				●	●	Clogged oil filter
			●				●	●	Oil pump malfunction
	●	●	●	●	●	●	●	●	Electrical components out of range or improper or loose wiring connection.
	●	●	●						Spark plug other than specified
	●	●	●						Dirt, soot, etc. on spark plug
	●	●	●						No Spark or weak spark
	●								Short circuit of engine stop switch
	●								Lack of stop switch lock plate
	●			●	●	●			Wiring, ground wire failure, break or loosening.
	●				●	●			Low battery voltage
	●				●				Not shifted into neutral position
	●			●	●	●			Weak battery or battery connections are loose or corroded
●				●				Ignition key switch failure	
●				●				Starter motor or starter solenoid failure	
					●			Power tilt switch defective, Solenoid is defective	

	Difficult to start engine	Engine runs erratically	Low engine speed/ Poor boat speed	Battery will not hold charge	Starter motor will not crank	Power T inoperative	Warning lamp "ON"	Warning buzzer "ON"	Possible cause
COMPRESSION & OIL SYSTEM	●	●	●						Low compression
		●	●						Carbon deposits in the combustion chamber
	●	●	●						Incorrect valve clearance
			●				●	●	Low oil pressure/level, oil pump failure, Clogged oil filter (Pressure switch ON)
		●	●						Insufficient cooling water flow, clogged or defective pump
	●	●	●						Incorrect valve timing (timing belt elongation or incorrect installation)
	●	●	●						Intake/exhaust valve seal failure
		●	●						Excessive wear of piston, piston ring or cylinder
		●	●						Insufficient tightening of spark plug
	OTHERS		●	●					
		●	●						Cavitations or ventilation
		●	●						Incorrect propeller selection
		●	●						Damaged or bent propeller
			●						Improper thrust rod position
			●						Unbalanced load on boat
		●	●						Transom too high or too low
						●			A great deal of air is contained inside pump
			●						Insufficient throttle aperture

ACCESSORIES KIT

ENOM00109-1

The following a list of the tools and spare parts provided with the motor.

Items		Quantity	Remark	
Service tools	Tool bag	1		
	Pliers	1		
	Socket wrench	1	10 x 13 mm	
	Socket wrench	1	16 mm (spark plug)	
	Socket wrench handle	1		
	Screwdrivers	1	Cross-and straight-point	
	Screwdriver handle	1		
Spare parts	Emergency starter rope	1		
	Spark plug	1	NGK: DCP6E	
	Split pin	1		
	Stop switch lock	1		
Parts Packaged with Engine	Fuel tank	1	25 L	
	Primer bulb	1 set		
	Rigging bolt set			
	Bolt	2	M8 x 85 mm	Manual tilt Model
	Washer	4	M8	
	Nut	4	M8	
	Bolt	4	M12P1.25 x 105 mm	Power tilt Model
	Washer	4	13-34-3	
	Washer	4	M12	
	Nut	4	M21.5	
	Cable joint set			E and ET Model
	Cable joint	2		
	Washer	2	8.5-18-1.6	
	Snap pin	2		
Flushing attachment	1			

PROPELLER TABLE

ENOM00111-0

Use a genuine propeller.

A propeller must be selected so that the engine rpm measured at wide open throttle while cruising is within the recommended range.

25 : 5000–6000 min⁻¹ (rpm)

30 : 5250–6250 min⁻¹ (rpm)

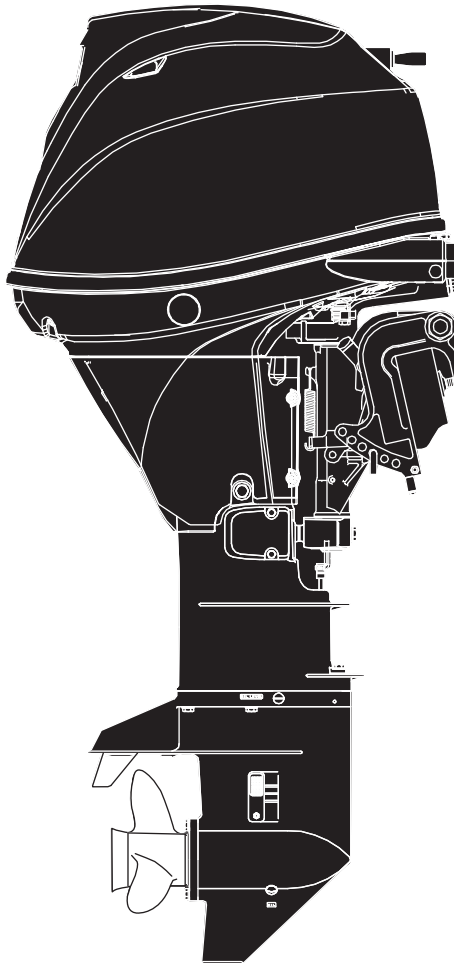
	Propeller Mark	Propeller Size (Diameter × pitch)	
		in.	mm
Light boats	14	9.9 × 14.2	252 × 360
	DS13	9.6 × 13	244 × 330
	DS12	9.8 × 12	249 × 305
	DS11	9.8 × 11	249 × 279
	DS10	9.72 × 10	247 × 254
	DS9	9.72 × 9	247 × 229
Heavy boats	8	10.2 × 8.3	260 × 210



OWNER'S MANUAL
MFS 25C
MFS 30C

TOHATSU

MANUEL DE L'UTILISATEUR



MFS 25C
MFS 30C

Notice originale

OB No.003-11117-3AG1

ENOM00001-0



VEUILLEZ LIRE ATTENTIVEMENT CE MANUEL AVANT D'UTILISER LE MOTEUR HORS-BORD. LE NON-RESPECT DES INSTRUCTIONS ET DES MESURES DE SÉCURITÉ CONTENUES DANS CE MANUEL PEUT ENTRAÎNER DES PRÉJUDICES CORPORELS GRAVES OU UN ACCIDENT MORTEL. CONSERVEZ CE MANUEL DANS UN LIEU SÛR POUR TOUTE RÉFÉRENCE ULTÉRIEURE.

Copyright © 2017 Tohatsu Corporation. Tous droits réservés. Il est strictement interdit de reproduire ou de diffuser tout ou partie de ce manuel, sous quelque forme ou de quelque manière que ce soit, sans l'autorisation expresse écrite de Tohatsu Corporation.

PRÉSENTATION DE VOTRE MOTEUR HORS-BORD TOHATSU

ENOM00006-A

Cher client,

Nous vous remercions d'avoir choisi un moteur hors-bord TOHATSU. Vous êtes désormais l'heureux propriétaire d'un excellent moteur hors-bord qui vous satisfera pendant de longues années.

Il convient de lire attentivement ce manuel dans sa totalité et de respecter scrupuleusement les procédures d'inspection et de maintenance décrites plus avant dans celui-ci. Si un problème survient avec le moteur hors-bord, veuillez suivre les procédures de diagnostic de pannes figurant à la fin de ce manuel. Si le problème persiste, veuillez contacter un atelier d'entretien ou un distributeur TOHATSU agréé.

Veuillez toujours conserver ce manuel à proximité du moteur hors-bord afin que chaque utilisateur du moteur puisse s'y référer à tout moment. Lors de la revente du moteur hors-bord, veuillez à transmettre ce manuel au nouveau propriétaire.

Nous espérons que vous profiterez au maximum de votre moteur hors-bord et vous souhaitons une excellente navigation.

TOHATSU CORPORATION

ENOM00113-0

DÉCLARATION CEDE CONFORMITÉ (DoC)

Ce produit est conforme à certaines parties de la directive du Parlement européen. La déclaration de conformité contient les informations suivantes:

- nom et adresse du fabricant;
- directives communautaires appliquées;
- étalon de référence;
- description du produit ; (Nom du modèle et numéro de série)
- signature du responsable (Nom / Titre / Date et lieu de délivrance).

ENOM00002-0

ENREGISTREMENT ET IDENTIFICATION DU PROPRIÉTAIRE

Dès l'achat de ce produit, veuillez à remplir correctement et complètement le CERTIFICAT DE GARANTIE avant de le renvoyer par courrier au destinataire mentionné sur le certificat. Ce CERTIFICAT DE GARANTIE permet d'identifier le propriétaire légal du produit tout en faisant office de contrat de garantie.

CONFORMÉMENT À LA LÉGISLATION EN VIGUEUR, VOTRE MOTEUR HORS-BORD NE SERA PAS COUVERT PAR LA GARANTIE LIMITÉE APPLICABLE SI CETTE PROCÉDURE N'EST PAS SUIVIE.

ENOM00003-0

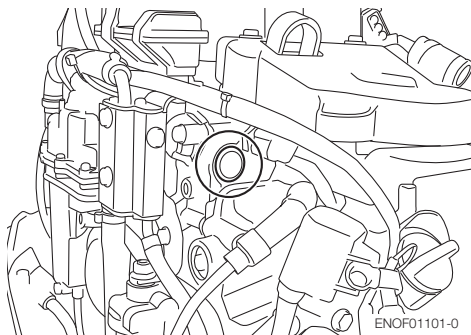
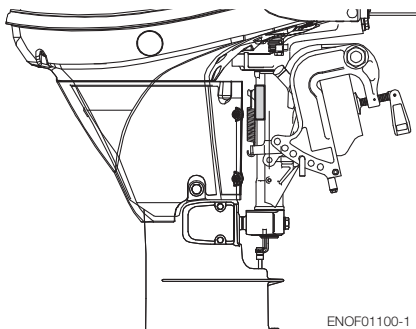
INSPECTION AVANT LIVRAISON

Assurez-vous que le produit a été inspecté par un distributeur TOHATSU agréé avant d'en prendre livraison.

ENOM00005-A

Numéro de série

Veillez enregistrer, dans l'espace ci-dessous, le numéro de série du moteur hors-bord (mentionné le support pivotant et sur le bloc-cylindres). Il faut mentionner le numéro de série lors de la commande de pièces et lors de toute demande de renseignements techniques ou relatifs à la garantie.

Numéro de série :

Numéro de série :

Date d'achat :

ENOM00007-0

NOTIFICATION : DANGER/AVERTISSEMENT/CONSEIL DE PRUDENCE/Remarque

Avant l'installation, la mise en service ou toute autre manipulation de votre moteur hors-bord, veuillez à lire et à comprendre l'intégralité de ce manuel d'utilisation, et à suivre attentivement toutes les instructions. Les informations précédées des mentions « DANGER », « AVERTISSEMENT », « CONSEIL DE PRUDENCE » et « Remarque » sont particulièrement importantes. Faites tout spécialement attention à ce type d'information pour garantir un fonctionnement sûr du moteur hors-bord en tout temps.

ENOW00001-0

 **DANGER**

Le non-respect de cette recommandation entraînera des préjudices corporels graves ou un risque mortel et d'éventuels dommages au produit.

ENOW00002-0

 **AVERTISSEMENT**

Le non-respect de cette recommandation pourrait entraîner des préjudices corporels graves ou un risque mortel, voire des dommages au produit.

ENOW00003-0

 **CONSEIL DE PRUDENCE**

Le non-respect de cette recommandation pourrait entraîner des préjudices corporels ou des dommages au produit.

ENON00001-0

Remarque

Ces instructions fournissent des informations spécifiques visant à faciliter l'utilisation ou la maintenance du moteur hors-bord ou à clarifier certains points importants.

■ TABLE DES MATIÈRES

1. INFORMATIONS GÉNÉRALES DE SÉCURITÉ	10
2. CARACTÉRISTIQUES TECHNIQUES	12
3. NOM DES PIÈCES	15
4. EMBLACEMENT DES ÉTIQUETTES	19
5. INSTALLATION	23
1. Montage du moteur hors-bord sur le bateau	23
2. Installation du dispositif de commande à distance	26
3. Installation de la batterie	26
4. Installation TOCS (système de communications à bord Tohatsu)	28
6. MESURES À PRENDRE AVANT LE DÉMARRAGE	29
1. Manipulation du carburant	29
2. Remplissage du réservoir à carburant	30
3. Recommandations relatives à l'huile moteur	32
4. Rodage	33
5. Système d'alarme	34
7. FONCTIONNEMENT DU MOTEUR	37
Avant le démarrage	37
1. Alimentation de carburant	37
2. Démarrage du moteur	38
3. Mise en température du moteur	44
4. Marche avant, marche arrière et accélération	45
5. Arrêt du moteur	49
6. Direction	51
7. Angle d'assiette	52
8. Relever et abaisser	54
9. Utilisation en eaux peu profondes	57
8. DÉPOSE ET TRANSPORT DU MOTEUR HORS-BORD	59
1. Dépose du moteur hors-bord	59
2. Transport du moteur hors-bord	59
3. Remorquage	60
9. RÉGLAGES	62
1. Friction de direction	62
2. Friction de la poignée des gaz	62
3. Friction du levier de la commande à distance	62
4. Réglage de la dérive	63
10. INSPECTION ET MAINTENANCE	64
1. Inspection quotidienne	65
2. Inspection périodique	71
3. Hivernage	85
4. Inspection pré-saisonnière	88
5. Moteur hors-bord immergé	89
6. Précautions par temps froid	89
7. Impact avec un objet immergé	89
8. Fonctionnement avec plusieurs moteurs hors-bord	89

11. DIAGNOSTIC DE PANNES	90
12. KIT DES ACCESSOIRES	93
13. TABLEAU D'HELICE	94

TABLE DES MATIÈRES

1	INFORMATIONS GÉNÉRALES DE SÉCURITÉ	1
2	CARACTÉRISTIQUES TECHNIQUES	2
3	NOM DES PIÈCES	3
4	EMPLACEMENT DES ÉTIQUETTES	4
5	INSTALLATION	5
6	MESURES À PRENDRE AVANT LE DÉMARRAGE	6
7	FONCTIONNEMENT DU MOTEUR	7
8	DÉPOSE ET TRANSPORT DU MOTEUR HORS-BORD	8
9	RÉGLAGES	9
10	INSPECTION ET MAINTENANCE	10
11	DIAGNOSTIC DE PANNES	11
12	KIT DES ACCESSOIRES	12
13	TABLEAU DES HÉLICES	13



INFORMATIONS GÉNÉRALES DE SÉCURITÉ

ENOM00009-0

CONDUITE SÛRE D'UN BATEAU

En votre qualité d'opérateur / de conducteur du bateau, vous êtes responsable de la sécurité des personnes à bord et de celles présentes à bord des autres bateaux à proximité du vôtre. Vous êtes par ailleurs tenu de respecter la réglementation locale en matière de navigation. Par conséquent, vous devez parfaitement connaître la manière correcte d'utiliser le bateau, le moteur hors-bord et tous les accessoires. Veuillez lire attentivement ce manuel pour utiliser et entretenir le moteur hors-bord dans les règles de l'art.

Il est très difficile pour une personne nageant ou flottant dans l'eau d'éviter une embarcation à moteur venant dans sa direction, même à faible vitesse. C'est la raison pour laquelle le moteur hors-bord doit être mis au point mort et arrêté lorsque votre bateau se trouve dans le voisinage immédiat de baigneurs.

ENOW00005-0

AVERTISSEMENT

AU CONTACT D'UN BATEAU EN MOUVEMENT, D'UNE EMBASE, D'UNE HÉLICE OU DE TOUT AUTRE DISPOSITIF FIXÉ SUR LE BATEAU, UNE PERSONNE SE TROUVANT DANS L'EAU RISQUE DE SE BLESSER SÉRIEUSEMENT.

ENOM00008-A

INTERRUPTEUR D'ARRÊT D'URGENCE

L'interrupteur d'arrêt d'urgence bloquera le moteur hors-bord lorsque le cordon de sécurité coupe-circuit est arraché. Ce cordon de sécurité doit être attaché à l'opérateur du moteur hors-bord pour minimiser ou prévenir toute blessure éventuelle causée par l'hélice au cas où il tomberait par-dessus bord.

Il incombe à l'opérateur d'utiliser le cordon de sécurité coupe-circuit d'urgence.

ENOW00004-A

AVERTISSEMENT

L'activation accidentelle de l'interrupteur d'arrêt d'urgence (notamment si le cordon est arraché par mer houleuse) pourrait entraîner la perte d'équilibre des passagers, voire même leur éjection par-dessus bord, ou une perte de puissance en présence d'une mer démontée, de forts courants ou de vents violents. La perte de contrôle au cours de l'amarrage peut constituer un autre risque potentiel.

Pour minimiser l'activation accidentelle de l'interrupteur d'arrêt d'urgence, le cordon de sécurité de 500 mm (20 in) est enroulé et peut être étiré jusqu'à 1 300 mm (51 in).

ENQM00800-A

VÊTEMENT DE FLOTTAISON INDIVIDUEL

L'opérateur / le conducteur et les passagers du bateau sont tenus de porter un VFI (vêtement de flottaison individuel) lorsqu'ils sont à bord.

ENOM00010-0

ENTRETIEN, PIÈCES DE RECHANGE ET LUBRIFIANTS

Nous recommandons que seul un atelier d'entretien agréé procède aux réparations ou à la maintenance du moteur hors-bord. Veillez à utiliser des pièces d'origine et les lubrifiants prescrits ou recommandés.

ENOM00011-A

MAINTENANCE

Le propriétaire du moteur hors-bord doit être au courant des procédures de maintenance correctes en suivant les instructions de la section de ce manuel consacrée à la maintenance (voir page 64). Il est de la responsabilité de l'opérateur d'effectuer tous les contrôles de sécurité et de veiller à ce que toutes les instructions en matière de lubrification et de maintenance soient respectées pour un fonctionnement sûr. Veuillez donc vous assurer de suivre à la lettre toutes les instructions relatives à la lubrification et à la maintenance. Il convient d'emmener le moteur chez un distributeur ou dans un atelier d'entretien agréé pour l'inspection périodique aux dates préconisées.

Une maintenance périodique correcte et des soins appropriés du moteur hors-bord limiteront le risque de problèmes et les coûts de fonctionnement globaux.

Risque d'empoisonnement au monoxyde de carbone

Les gaz d'échappement contiennent du monoxyde de carbone, un gaz incolore et inodore qui peut être mortel lorsqu'il est inhalé sur une certaine durée.

Ne démarrez ni ne faites fonctionner le moteur à l'intérieur ou dans tout espace incorrectement ventilé.

Essence

L'essence et ses vapeurs sont des produits hautement inflammables aux propriétés explosives. Soyez extrêmement prudent lorsque vous manipuler de l'essence. Veillez donc à connaître parfaitement les techniques correctes de manipulation de l'essence en lisant attentivement ce manuel.

CARACTÉRISTIQUES TECHNIQUES

ENOM00810-A

CARACTÉRISTIQUES DES MODÈLES

2

Modèle		MFS25C			MFS30C		
Type		MF	EP	EPT	MF	EP	EPT
Hauteurs du tableau arrière	S	●	●	●	●	●	●
	L	●	●	●	●	●	●
Poignée de barre		●			●		
Poignée de barre multifonction			(●)*1	(●)*1		(●)*1	(●)*1
Commande à distance			●	●		●	●
Dispositif de relevage				●			●
Relevage assisté par gaz							
Relevage manuel		●	●		●	●	

*1: En option

ENOM00811-A

EXEMPLE POUR UN MODÈLE

F 30C EPTL

F	30	C	E	P	T	L
Description du modèle	Puissance	Génération de produits	Système de démarrage	Système de direction	Système de relevage	Longueur de l'arbre
F = Quatre temps D = Deux temps ID	-	A et suivantes	E = Démarrage électrique En blanc = Démarrage manuel	P=Commande à distance (plaisance) F=Poignée de barre (Pêche) *La poignée de barre multifonction est disponible en tant qu'option	T = Dispositif d'inclinaison et de relevage G = Assisté par gaz En blanc = Relevage manuel	S = Court, 15 in L = Long, 20 in UL = Ultra long, 25 in

ENOM00013-0

MF, E, EP

2

Élément	MODÈLE	25C/30C		
		MF	E (avec poignée de barre multifonction : en option)	EP
Longueur totale	mm (in)	1038 (40.9)	1303 (52.3)	726 (28.6)
Largeur totale	mm (in)	411 (16.2)		
Hauteur totale S-L	mm (in)	1189(46.8) 1337 (52.6)		
Hauteur du tableau arrière S-L	mm (in)	404 (15.9) 552 (21.7)		
Poids*1	S kg (lb)	71.5 (158)	77.0 (170)	73 (161)
	L kg (lb)	73 (161)	78.5 (173)	74.5 (164)
Puissance	kW (ps)	25C : 18,4 (25) 30C : 22.1 (30)		
Plage de régime max.	min ⁻¹ (tr/min)	25C : 5000-6000 30C : 5250-6250		
Vitesse de ralenti	min ⁻¹ (tr/min)	850 ±30		
Type de moteur		4 temps injection		
Nombre de cylindres		3		
Alésage x course	mm (in)	61 x 60 (2.40 x 2.36)		
Cylindrée	cm ³ (Cu in)	526 (32.09)		
Système d'échappement		Échappement par le moyeu de l'hélice		
Système de refroidissement		Refroidissement par eau		
Système de lubrification		Pompe trochoïde		
Système de démarrage		Manuel	Moteur du démarreur électrique*2	
Système d'allumage		Volant magnétique, allumage à décharge de condensateur		
Bougie d'allumage		NGK DCPR6E		
Positions de relevage		6		
Huile moteur	mL (fl.oz.)	API SH, SJ ou SL, 10W-30/40, environ 1800 (63.3)		
Huile pour embase	mL (fl.oz.)	Huile pour embase d'origine ou API GL5, SAE #80-90, environ 360 (12.2)		
Carburant		Essence ordinaire sans plomb : indice d'octane affiché à la pompe de 87 (indice d'octane recherche de 91)		
Capacité du réservoir de carburant	L (US gal)	25 (6.60)		
Rapport de démultiplication		2.17 (12 : 26)		
Système antipollution		IM (Injection multipoint)		
Pression acoustique perçue par l'opérateur (ICOMIA 39/94) dB (A)		80.4		
Niveau de vibration transmis à la main (ICOMIA 38/94) m/s ²		2.8		.

Remarque : Les caractéristiques techniques peuvent être modifiées sans avis préalable.

*1 Sans hélice, avec le câble de batterie.

*2 Avec manuel

Le moteur hors-bord Tohatsu est réglé à puissance nominale conformément à la norme ISO8665 (sortie de l'arbre d'hélice).

ENOM00015-0

ET (avec poignée de barre multifonction), EPT

2

Élément	MODÈLE	25C/30C	
		ET (avec poignée de barre multifonction : en option)	EPT
Longueur totale	mm (in)	1303 (52.3)	726 (28.6)
Largeur totale	mm (in)	411 (16.2)	
Hauteur totale S-L	mm (in)	1189 (46.8)	1337 (52.6)
Hauteur du tableau arrière S-L	mm (in)	404 (15.9)	552 (21.7)
Poids*1	S kg (lb)	85 (187)	81 (179)
	L kg (lb)	86.5 (191)	82.5 (182)
Puissance	kW (ps)	25C : 18,4 (25) 30C : 22.1 (30)	
Plage de régime max.	min ⁻¹ (tr/min)	25C : 5000-6000 30C : 5250-6250	
Vitesse de ralenti	min ⁻¹ (tr/min)	850 ±30	
Type de moteur		4 temps injection	
Nombre de cylindres		3	
Alésage x course	mm (in)	61 x 60 (2.40 x 2.36)	
Cylindrée	cm ³ (Cu in)	526 (32.09)	
Système d'échappement		Échappement par le moyeu de l'hélice	
Système de refroidissement		Refroidissement par eau	
Système de lubrification		Pompe trochoïde	
Système de démarrage		Moteur du démarreur électrique*2	
Système d'allumage		Volant magnétique, allumage à décharge de condensateur	
Bougie d'allumage		NGK DCPR6E	
Positions de relevage		4	
Huile moteur	mL (fl.oz.)	API SH, SJ ou SL, 10W-30/40, environ 1800 (63.3)	
Huile pour embase	mL (fl.oz.)	Huile pour embase d'origine ou API GL5, SAE #80-90, environ 360 (12.2)	
Carburant		Essence ordinaire sans plomb : indice d'octane affiché à la pompe de 87 (indice d'octane recherche de 91)	
Capacité du réservoir de carburant	L (US gal)	25 (6.60)	
Rapport de démultiplication		2.17 (12 : 26)	
Système antipollution		IM (Injection multipoint)	
Pression acoustique perçue par l'opérateur (ICOMIA 39/94) dB (A)		80.4	
Niveau de vibration transmis à la main (ICOMIA 38/94) m/s ²		2.8	.

Remarque : Les caractéristiques techniques peuvent être modifiées sans avis préalable.

*1 Sans hélice, avec le câble de batterie.

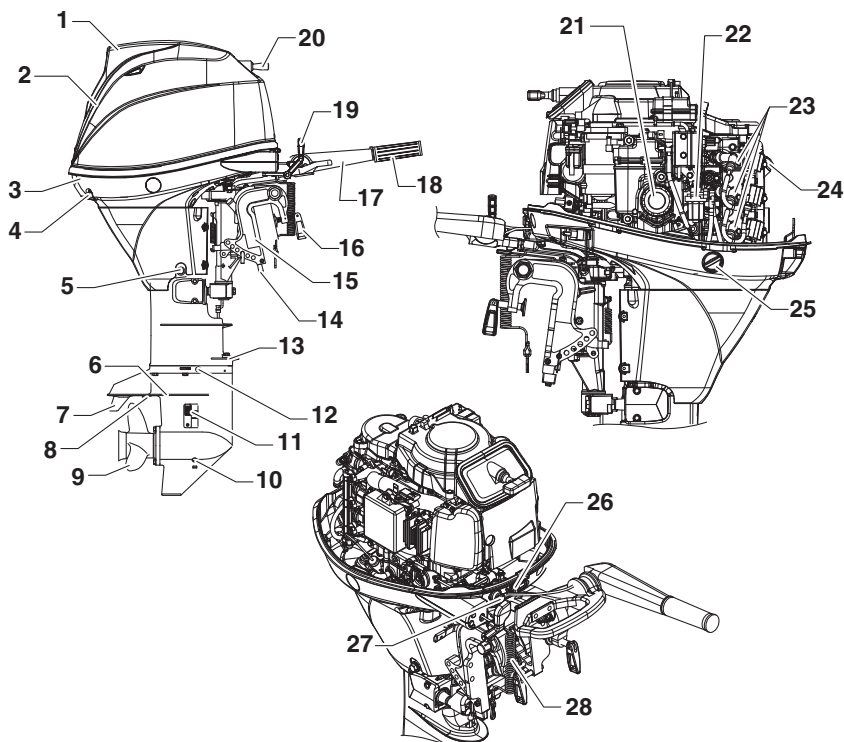
*2 Avec manuel

Le moteur hors-bord Tohatsu est réglé à puissance nominale conformément à la norme ISO8665 (sortie de l'arbre d'hélice).

NOM DES PIÈCES

ENOM00820-0

MF

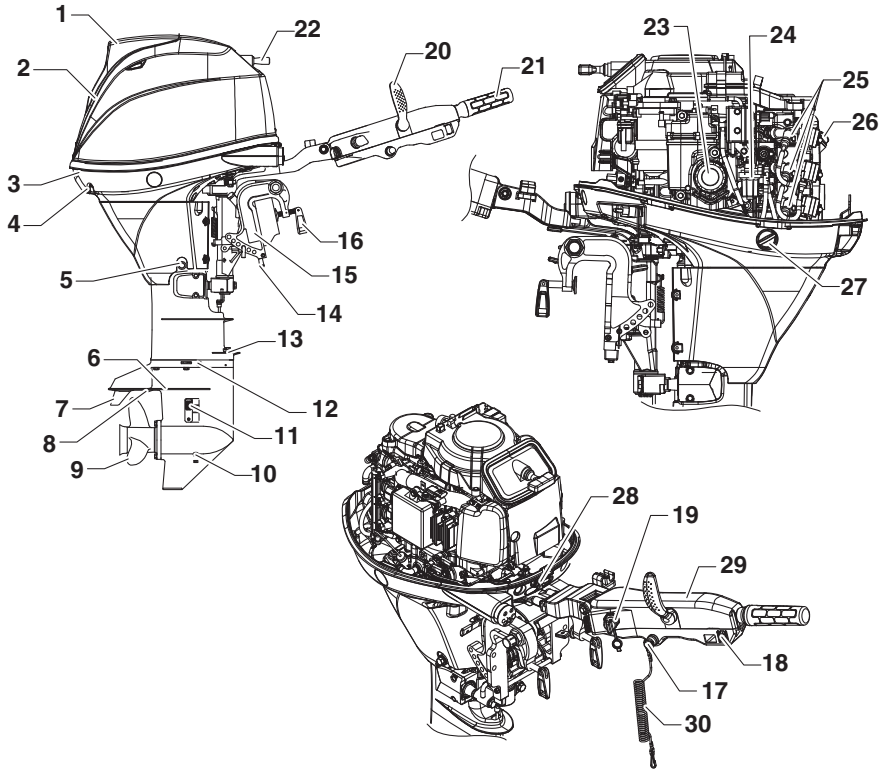


- | | | | | | |
|----|---|----|-----------------------------|----|-----------------------------------|
| 1 | Poignée de levage | 12 | Bouchon d'huile (supérieur) | 24 | Bouchon de remplissage d'huile |
| 2 | Capot supérieur | 13 | Pare-gouttes | 25 | Bouchon du raccord de rinçage |
| 3 | Capot inférieur | 14 | Anode | 26 | Lampe témoin |
| 4 | Orifice de contrôle de l'eau de refroidissement | 15 | Étrier de fixation | 27 | Interrupteur d'arrêt |
| 5 | Bouchon de vidange d'huile | 16 | Vis de serrage | 28 | Bouchon de sécurité coupe-circuit |
| 6 | Plaque anti-cavitation | 17 | Poignée de barre | | |
| 7 | Dérive | 18 | Poignée des gaz | | |
| 8 | Prise d'eau secondaire | 19 | Levier inverseur | | |
| 9 | Hélice | 20 | Poignée de lanceur Ricoil | | |
| 10 | Bouchon d'huile (inférieur) | 21 | Filtre à huile | | |
| 11 | Prise d'eau de refroidissement | 22 | Filtre à carburant | | |
| | | 23 | Bougie d'allumage | | |

ENOF01135-0

ENOM00020-0

E (avec poignée de barre multifonction), EP



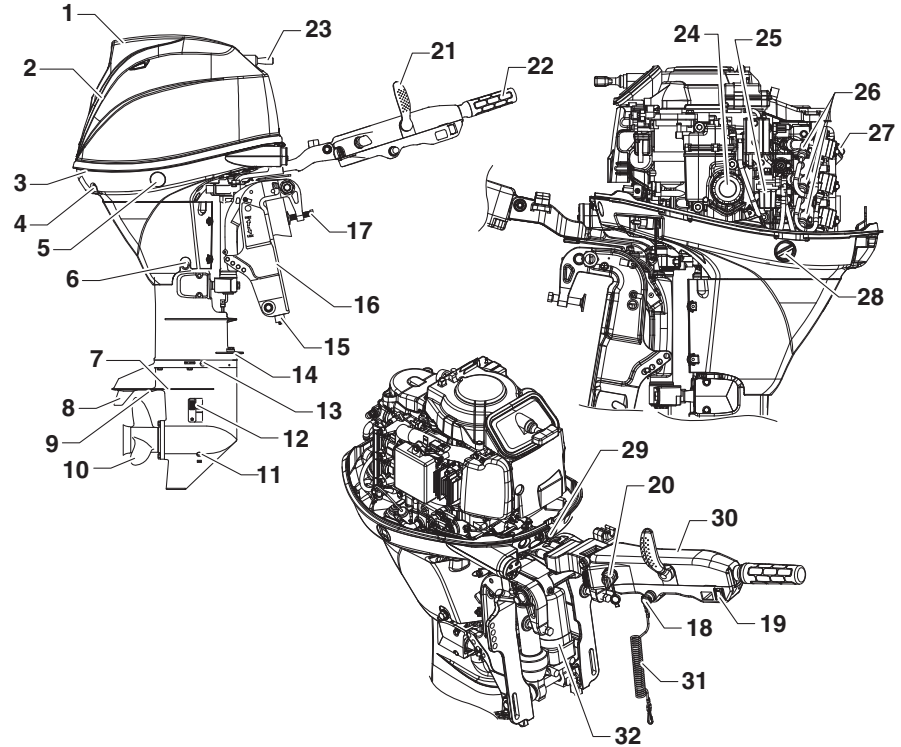
3

- | | | |
|---|--------------------------------|--------------------------------------|
| 1 Poignée de levage | 12 Bouchon d'huile (supérieur) | 24 Filtre à carburant |
| 2 Capot supérieur | 13 Pare-gouttes | 25 Bougie d'allumage |
| 3 Capot inférieur | 14 Anode | 26 Bouchon de remplissage d'huile |
| 4 Orifice de contrôle de l'eau de refroidissement | 15 Étrier de fixation | 27 Bouchon du raccord de rinçage |
| 5 Bouchon de vidange d'huile | 16 Vis de serrage | 28 Lampe témoin |
| 6 Plaque anti-cavitation | 17 Interrupteur d'arrêt | 29 Poignée de barre multifonction *2 |
| 7 Dérive | 18 Interrupteur PT *1 | 30 Cordon de sécurité coupe-circuit |
| 8 Prise d'eau secondaire | 19 Interrupteur de contact | |
| 9 Hélice | 20 Levier inverseur | *1: Notice d'utilisation |
| 10 Bouchon d'huile (inférieur) | 21 Poignée des gaz | *2: En option |
| 11 Prise d'eau de refroidissement | 22 Poignée de lanceur Ricoil | |
| | 23 Filtre à huile | |

ENOF01136-0

ENOM00020-0

ET (avec poignée de barre multifonction), EPT



- | | | |
|---|-----------------------------------|--|
| 1 Poignée de levage | 12 Prise d'eau de refroidissement | 24 Filtre à huile |
| 2 Capot supérieur | 13 Bouchon d'huile (supérieur) | 25 Filtre à carburant |
| 3 Capot inférieur | 14 Pare-gouttes | 26 Bougie d'allumage |
| 4 Orifice de contrôle de l'eau de refroidissement | 15 Anode | 27 Bouchon de remplissage d'huile |
| 5 Interrupteur PT | 16 Étrier de fixation | 28 Bouchon du raccord de rinçage |
| 6 Bouchon de vidange d'huile | 17 Vis de serrage | 29 Lampe témoin |
| 7 Plaque anti-cavitation | 18 Interrupteur d'arrêt | 30 Poignée de barre multifonction *1 |
| 8 Dérive | 19 Interrupteur PT | 31 Cordon de sécurité coupe-circuit |
| 9 Prise d'eau secondaire | 20 Interrupteur de contact | 32 Dispositif d'inclinaison et de relevage |
| 10 Hélice | 21 Levier inverseur | |
| 11 Bouchon d'huile (inférieur) | 22 Poignée des gaz | |
| | 23 Poignée de lanceur Riccoi | |

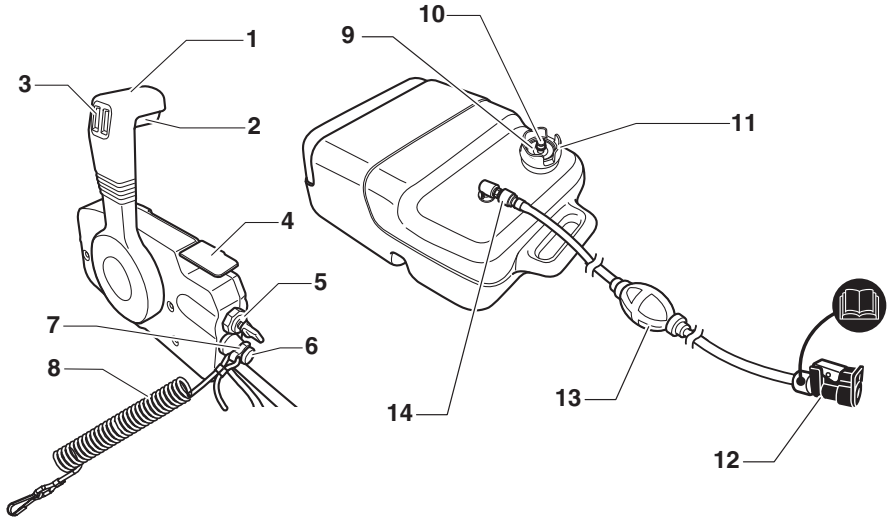
*1: En option

ENOF01137-0

ENOM00822-0

Boîtier de la commande à distance et réservoir à carburant

3



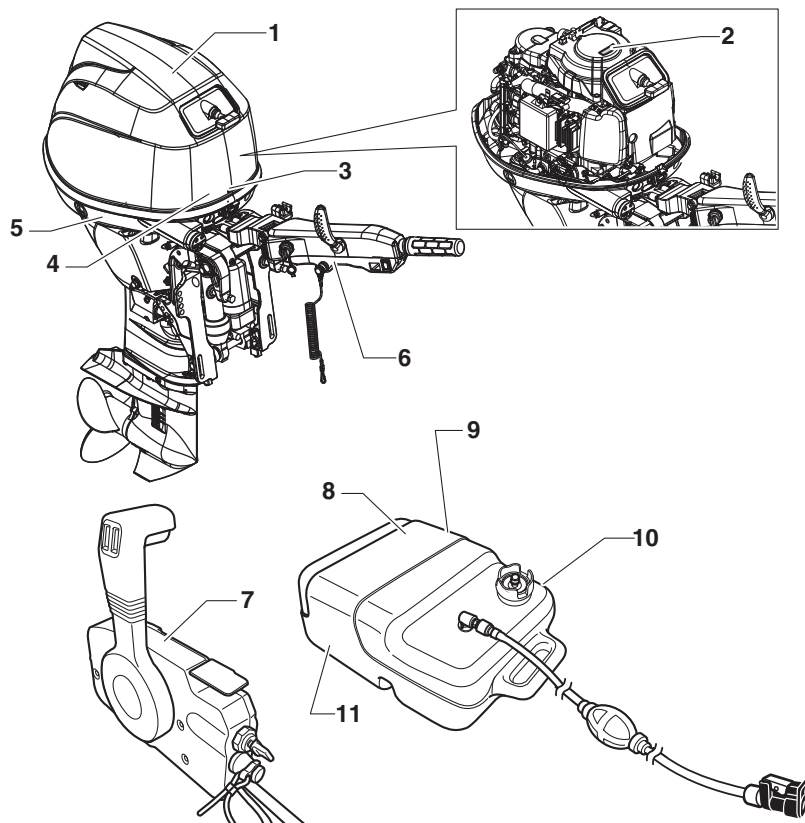
ENOF00127-C

- | | |
|---|--|
| 1 Levier de commande | 9 Jauge de carburant |
| 2 Bras de verrouillage du point mort | 10 Vis d'évent |
| 3 Interrupteur autobloquant | 11 Bouchon du réservoir à carburant |
| 4 Manette des gaz au point mort | 12 Raccord de carburant (côté moteur) |
| 5 Clé de contact | 13 Poire d'amorçage |
| 6 Interrupteur d'arrêt | 14 Raccord de carburant (côté réservoir à carburant) |
| 7 Mécanisme de verrouillage de l'interrupteur d'arrêt | |
| 8 Cordon de sécurité coupe-circuit | |

EMPLACEMENT DES ÉTIQUETTES

ENOM00019-A

Emplacement des étiquettes de mise en garde



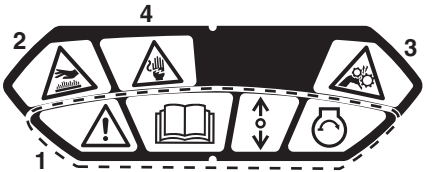
4

1. Étiquette de mise en garde recommandant vivement la lecture du manuel de l'utilisateur.



ENOF00120-O

- 2-1. Avertissement concernant le démarrage d'urgence (voir page 42).
- 2-2. Avertissement concernant une température élevée.
- 2-3. Avertissement concernant un objet en rotation.
- 2-4. Avertissement concernant une tension élevée.



3PA-72181-100

3. Étiquette de mise en garde relative aux pannes/dysfonctionnements du moteur (voir page 34).



ENOF00130-O

4. Étiquette de mise en garde relative à l'interrupteur d'arrêt (voir pages 40, 49 et 51)



ENOF00131-B

5. Étiquette de mise en garde sur le positionnement du moteur hors-bord lorsqu'il est détaché de l'embarcation.



ENOF00006-O

Pour le modèle à poignée de barre

6. Étiquette de mise en garde relative à l'interrupteur d'arrêt (voir pages 40 et 49 et 51)



ENOF00005-P

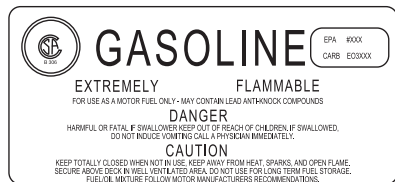
Pour le modèle à commande à distance

7. Étiquette de mise en garde relative au cordon de sécurité coupe-circuit



ENOF00005-D

8. Étiquette de mise en garde sur l'essence



ENOF00005-E

9. Étiquette de mise en garde sur l'essence (voir page 29).



ENOF00005-L

10. Étiquette de mise en garde sur l'essence (voir page 29).



ENOF00005-M

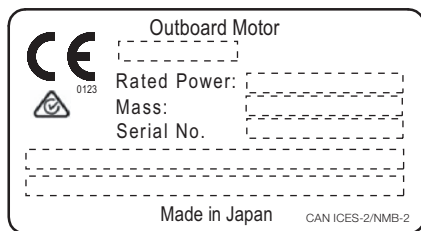
11. Étiquette de mise en garde sur l'essence (voir page 29).



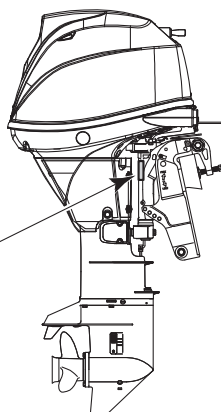
ENOF00005-F

ENOM00019-B

Emplacement des étiquettes CE



- 1)
- 2)
- 3)
- 4)
- 5)
- 6)



ENOF01129-1

1. Code du modèle (nom du modèle)
2. Puissance nominale
3. Poids de la masse sèche (sans l'hélice, avec le câble de batterie)
4. N° de série
5. Nom de l'usine
6. Adresse de l'usine

Description du numéro de série annuel

Les deux dernières lettres de l'alphabet indiquent l'année de production comme suit.

Code annuel	AG	AH	AK	BX	BA
Année de fabrication	2017	2018	2019	2020	2021

INSTALLATION

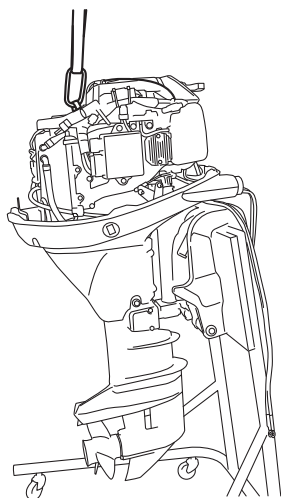
ENOM00024-A

1. Montage du moteur hors-bord sur le bateau

ENOW00006-B

⚠ AVERTISSEMENT

Avant d'installer le moteur hors-bord sur le bateau, suspendez le moteur par son crochet de suspension à l'aide d'un palan ou d'un dispositif similaire. Veillez à utiliser un palan permettant d'utiliser une charge d'au moins 150 kg (330 lb).



ENOF01102-0

ENOW00006-0

⚠ AVERTISSEMENT

La plupart des bateaux sont classés et certifiés en fonction de leur puissance nominale maximale autorisée, telle que mentionnée sur leur plaque de certification. N'équipez jamais votre bateau d'un moteur hors-bord excédant cette limite. N'hésitez pas à contacter votre distributeur en cas de doute.

Ne mettez pas le moteur hors-bord en service jusqu'à ce qu'il ait été solidement monté sur le bateau, conformément aux instructions ci-dessous.

ENOW00009-0

⚠ AVERTISSEMENT

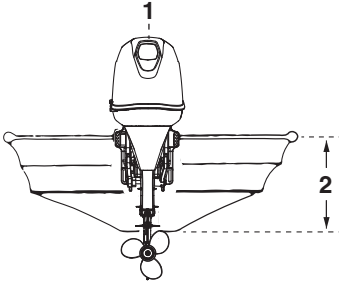
- Le non-respect des instructions de montage du moteur hors-bord contenues dans ce manuel peut conduire à des conditions dangereuses, telles qu'une piètre manœuvrabilité, une perte de contrôle ou un incendie.
- Des vis de serrage et / ou des boulons d'assemblage mal fixés peuvent provoquer le détachement ou le déplacement du moteur hors-bord, ce qui entraînerait une perte de contrôle et / ou d'éventuels préjudices corporels graves. Assurez-vous que les fixations sont correctement serrées au couple spécifié (30 N·m (3.0 kgf·m) 13 ft·lb). Vérifiez de temps à autre le serrage des fixations.
- Veillez à utiliser les fixations fournies dans l'emballage avec le moteur hors-bord ou leurs équivalents en termes de taille, matériau, qualité et robustesse. Serrez les fixations au couple spécifié (30 N·m (3.0 kgf·m) 13 ft·lb). Faites un essai sur l'eau pour vérifier que les fixations sont solidement assujetties.
- Le montage du moteur hors-bord doit être réalisé à l'aide d'un appareil de levage ou palan de capacité suffisante par du personnel technique formé.

Le montage du moteur hors-bord doit être réalisé à l'aide d'un appareil de levage ou palan de capacité suffisante par du personnel technique formé.

ENOM00025-0

Position... Au-dessus de la ligne de quille

Placez le moteur au centre du bateau.



ENOF01141-0

1. Centre du bateau
2. Tableau arrière du bateau

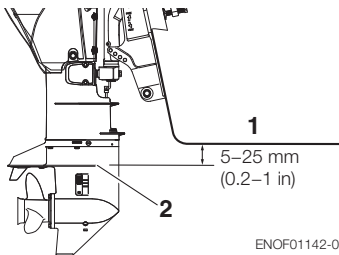
5

ENOM00026-0

Adaptation au tableau arrière

Assurez-vous que la plaque anti-cavitation du moteur hors-bord est à 5-25 mm (0.2-1 in) au-dessous de la partie inférieure de la coque.

Veuillez consulter votre distributeur agréé si cette condition ne peut être respectée en raison de la forme du bas de votre bateau.



ENOF01142-0

1. Partie inférieure de la coque
2. Plaque anti-cavitation

ENOW00007-0

⚠ CONSEIL DE PRUDENCE

- Avant de lancer l'essai de fonctionnement, vérifiez que le bateau flotte correctement sur l'eau lorsqu'il est chargé au maximum de sa capacité nominale. Contrôlez la position de la surface de l'eau par rapport à l'échappement. Si la surface de l'eau s'approche de l'échappement, de l'eau pourrait s'introduire dans les cylindres en présence de retour de vagues.
- Une hauteur de montage incorrecte du moteur hors-bord, la présence d'objets sous l'eau, tels que la partie inférieure de la coque, ou autres accessoires sous la ligne de flottaison, voire d'autres conditions de la surface du fond, peuvent entraîner des projections d'eau pouvant s'introduire dans le moteur par un orifice du capot inférieur pendant la navigation. L'exposition prolongée du moteur à de telles conditions peut sérieusement endommager celui-ci.

ENOM00830-A

Boulons de fixation

Type à relevage manuel

1. Pour fixer le moteur hors-bord au bateau, serrez les vis de serrage en tournant leurs poignées.

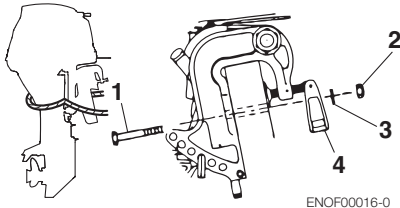
De plus, utilisez les boulons pour fixer les étriers du moteur hors-bord sur le panneau du tableau arrière.

Fixez le moteur hors-bord avec une corde pour éviter qu'il ne tombe par-dessus bord.

ENON00002-0

Remarque

La corde n'est pas comprise dans les accessoires fournis.



ENOF00016-0

- 1. Boulon (8 x 85)
- 2. Écrou
- 3. Rondelle
- 4. Vis de serrage

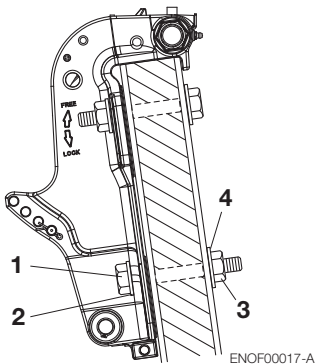
ENOW00945-0

⚠ CONSEIL DE PRUDENCE

- **Veillez inspecter si les vis de serrage ou les boulons de montage se sont desserrés avant votre départ.**
- **Le desserrage peut provoquer une situation dangereuse telle que la perte de contrôle.**

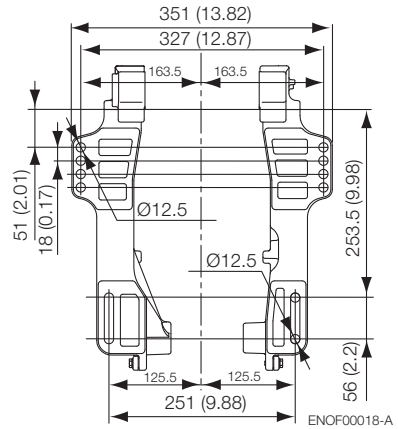
Type autobloquant

- 1. Pour fixer le moteur hors-bord au bateau, utilisez les boulons pour sécuriser les supports du moteur hors-bord au panneau du tableau arrière.



ENOF00017-A

- 1. Boulon (12 ? 105)
- 2. Rondelle (petit diamètre)
- 3. Écrou
- 4. Rondelle (grand diamètre)



ENOF00018-A

ENOW00008-A

⚠ CONSEIL DE PRUDENCE

- **Les boulons d'assemblage doivent être fixés avec la tête de boulon à l'intérieur de la surface du panneau du tableau arrière. La fixation des boulons avec l'extrémité filetée dépassant sur la surface intérieure du tableau arrière peut entraîner des préjudices corporels.**
- **Serrez les boulons suffisamment afin d'éviter une chute du moteur hors-bord.**

ENON00003-0

Remarques

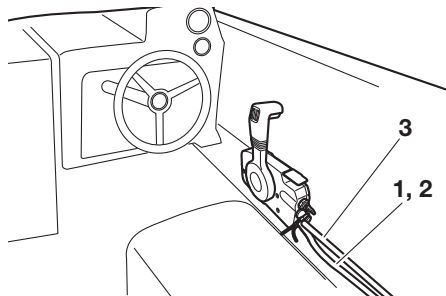
- 1. Appliquez un agent isolant tel que du silicone entre les boulons et le panneau du tableau arrière avant de serrer les boulons.
- 2. Assurez-vous de serrer les écrous des boulons d'assemblage au couple spécifié.
(30 N·m (3.0 kgf·m) 13 ft·lb)

ENOM00840-0

2. Installation du dispositif de commande à distance

ENOW00850-0

Emplacement du boîtier de commande à distance



ENOF00841-0

1. Câble du changement de vitesse
2. Câble d'accélérateur
3. Faisceau de câbles B

Installez le boîtier de commande à distance à un endroit facile d'accès pour manipuler les commandes.

Assurez-vous qu'aucun obstacle n'interfère sur le fonctionnement du câble de la commande à distance.

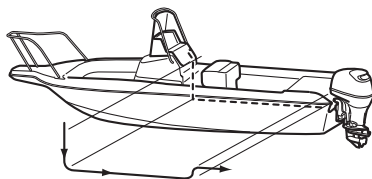
ENOW00850-0

Longueur du câble de la commande à distance

ENOW00100-A

⚠ CONSEIL DE PRUDENCE

Veillez à ce que les câbles de la commande à distance ne forment pas une boucle d'un diamètre inférieur à 406 mm (16 in). Dans le cas contraire, elle pourrait affecter la durée de vie du câble.



ENOF00842-0

Mesurez la distance entre le boîtier de la commande à distance et le moteur hors-bord sur lequel le câble de la commande à distance doit être connecté.

Préparez un câble dont la longueur est de 300 à 450 mm (11.8-17.7 in) supérieure à la distance mesurée.

Disposez le câble le long du passage prévu pour vous assurer que sa longueur est suffisante.

Raccordez le câble de la commande à distance au moteur, puis tirez-le vers le boîtier de la commande à distance, en veillant à ce qu'il ne soit pas trop courbé ni trop tendu, et qu'aucune obstruction ne puisse interférer avec la commande de la direction.

ENOM00029-A

3. Installation de la batterie

ENOW00012-0

⚠ AVERTISSEMENT

L'électrolyte de la batterie est une substance dangereuse puisqu'il contient de l'acide sulfurique. Il peut provoquer des brûlures lorsqu'il entre en contact avec la peau ou un empoisonnement lorsqu'il est avalé.

Maintenez la batterie et l'électrolyte hors de portée des enfants.

Lors de toute manipulation de la batterie, veillez à :

- lire attentivement toutes les mises en garde figurant sur le corps de la batterie ;
- éviter tout contact de l'électrolyte avec toute partie de votre corps. Tout contact peut provoquer de graves brûlures ou encore la perte de la vue, en cas de contact avec les yeux. Utilisez des lunettes de sécurité et des gants en caoutchouc.

Si l'électrolyte de la batterie entre en contact avec :

- la peau, rincez abondamment la partie affectée à l'eau ;
- les yeux, rincez-les abondamment à l'eau et consultez immédiatement un médecin.

En cas d'ingestion de l'électrolyte de la batterie :

- consultez immédiatement un médecin.

ENOW00013-A

AVERTISSEMENT

Toute batterie produit de l'hydrogène, un gaz explosif. Par conséquent, veillez à :

- charger la batterie dans un espace bien ventilé ;
- placer la batterie à l'écart de toute source potentielle d'incendie, d'étincelles et de flammes nues, telles que des brûleurs ou du matériel de soudage ;
- ne pas fumer à proximité de la batterie lorsqu'elle est en charge.
- Ne pas charger la batterie quand le niveau d'électrolyte est bas. Sinon la batterie pourrait être endommagée et causer une panne.

ENOW00014-0

CONSEIL DE PRUDENCE

- Assurez-vous que les câbles de batterie ne se coincent pas entre l'embarcation

et le moteur hors-bord lorsqu'il tourne, etc.

- Le démarreur peut ne pas fonctionner si les câbles ne sont pas connectés correctement.
- Veillez à connecter correctement les câbles (+) et (-). Dans le cas contraire, le système de charge pourrait être endommagé.
- Ne déconnectez jamais les câbles de la batterie lorsque le moteur fonctionne afin de ne pas endommager les éléments électriques.
- Utilisez toujours une batterie complètement chargée.

ENOW00015-0

CONSEIL DE PRUDENCE

N'utilisez jamais une batterie non recommandée. L'utilisation d'une batterie non recommandée pourrait entraîner une perte de performance du système électrique et / ou l'endommager.

ENON00006-A

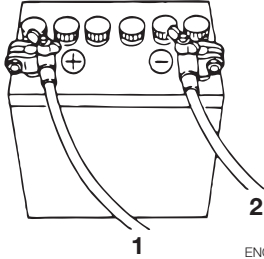
Remarque

Batterie recommandée : 12V 70Ah/5HR, 650 (Cold Cranking Amps (CCA) ; par temps froid : 12V100Ah/5HR (850CCA)) Les caractéristiques techniques des batteries varient selon le fabricant. Consultez le fabricant de votre batterie pour de plus amples informations.

* La batterie, non fournie avec le moteur hors-bord, doit être achetée séparément.

1. Placez le caisson porte-batterie dans une position adéquate à l'écart de toute projection d'eau. Assujettissez fermement le caisson et la batterie afin qu'ils ne bougent pas en cas de secousses.
2. Connectez le câble positif (+) à la borne positive (+) de la batterie, puis le câble négatif (-) à la borne négative (-). Lors du débranchement de la batterie, déconnectez toujours le câble négatif

(-) en premier lieu Après connexion du câble sur la borne positive (+), emboîtez correctement le capuchon de protection pour éviter tout court-circuit.



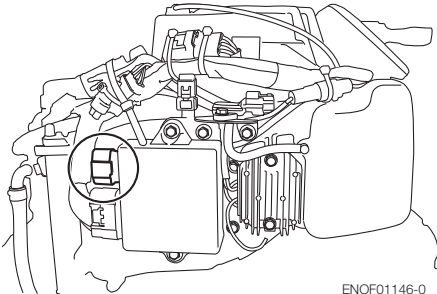
ENOF00022-0

1. Câble de batterie (rouge)
2. Câble de batterie (noir)

ENOM00971-0

4. Installation TOCS (système de communications à bord Tohatsu)

Le coupleur d'interface TOCS (système de communications à bord Tohatsu) fournit des informations concernant le régime du moteur, la consommation de carburant et diverses pannes par le biais du câble d'interface fourni en option. Contactez un distributeur Tohatsu agréé pour obtenir de plus amples détails.



ENOF01146-0

MESURES À PRENDRE AVANT LE DÉMARRAGE

ENOM00030-A

1. Manipulation du carburant

ENOW000017-0

CONSEIL DE PRUDENCE

L'utilisation d'un mauvais type d'essence peut endommager le moteur. Tout endommagement du moteur découlant de l'utilisation d'un mauvais type d'essence est considéré comme usage abusif du moteur et ne sera par conséquent pas couvert par la garantie limitée.

ENOM00031-A

CLASSE DE CARBURANT

Les moteurs TOHATSU fonctionneront correctement avec de l'essence sans plomb d'une grande marque présentant les caractéristiques suivantes:

États-Unis et Canada · Utilisez de l'essence avec un indice d'octane affiché à la pompe de 87 (R+M)/2 au minimum. L'essence super (indice d'octane de 92 [R+M]/2) convient également. N'utilisez jamais de l'essence au plomb.

En dehors des États-Unis et du Canada · Utilisez de l'essence sans plomb avec un indice d'octane recherche de 91 au moins. L'utilisation d'essence super avec un IOR de 98 est également autorisée.

ENOM00032-A

ESSENCES CONTENANT DE L'ALCOOL

Les composants du système d'alimentation de votre moteur TOHATSU résistent à l'essence contenant jusqu'à 10 % d'alcool éthylique (repris ci-après sous le nom d'« éthanol »). Cependant, si l'essence dans votre région contient un

taux d'éthanol inférieur à 10 %, vous devez savoir que certains effets négatifs pourraient se produire. L'augmentation du pourcentage d'alcool peut par ailleurs aggraver les effets négatifs. Certains de ces effets négatifs proviennent de l'absorption de l'humidité de l'air par l'alcool contenu dans l'essence, ce qui provoque une séparation de l'eau / alcool de l'essence dans le réservoir à carburant. Ceux-ci peuvent augmenter :

- la corrosion des pièces métalliques ;
- la détérioration des pièces en caoutchouc ou en plastique ;
- l'infiltration du carburant à travers les tuyaux d'alimentation en caoutchouc ;
- les problèmes de démarrage et de fonctionnement.

Si l'utilisation d'essences contenant de l'alcool est inévitable ou si une présence d'alcool est suspectée dans l'essence, il est recommandé d'équiper le moteur d'un filtre décanteur séparateur d'eau, de contrôler plus fréquemment toute éventuelle fuite du système d'alimentation en carburant et de vérifier plus souvent si les pièces mécaniques ne présentent pas de signes de corrosion et d'usure anormale.

En cas de détection d'une telle anomalie, cessez immédiatement d'utiliser ce type d'essence et contactez votre distributeur dans les plus brefs délais.

Si le moteur hors-bord n'est pas destiné à un usage fréquent, veuillez vous reporter aux remarques relatives à la détérioration du carburant dans le chapitre consacré à l'ENTREPOSAGE (p. 85) pour de plus amples informations.

ENOW00020-1

CONSEIL DE PRUDENCE

En utilisant un moteur TOHATSU avec de l'essence contenant de l'alcool, il faut éviter que le réservoir à carburant contienne ce type d'essence pendant des périodes prolongées. De longues périodes de stockage sont à l'origine de sérieux problèmes. Dans le cas des véhicules, les mélanges alcool-essence sont généralement consommés avant qu'ils ne puissent absorber suffisamment d'humidité pour causer des problèmes, alors que les bateaux sont souvent immobilisés suffisamment longtemps pour permettre la démixtion. Par ailleurs, une corrosion interne peut se produire au cours du stockage si l'alcool a attaqué le film d'huile protecteur des composants internes.

ENOW00018-0

AVERTISSEMENT

Toute fuite de carburant peut être à l'origine d'un incendie ou d'une explosion pouvant entraîner de graves préjudices corporels, voire même la mort. Chaque élément du système d'alimentation doit être contrôlé périodiquement, et tout spécialement après un entreposage de longue durée, à la recherche de fuites de carburant, d'une modification de la dureté du caoutchouc et de signes de dilatation et / ou de corrosion des pièces métalliques. En présence d'un quelconque signe de fuite de carburant ou de détérioration d'un élément du système d'alimentation, il convient de remplacer immédiatement la pièce en question avant de démarrer le moteur.

ENOM00043-B

2. Remplissage du réservoir à carburant

ENOW00019-1

AVERTISSEMENT

Ne remplissez pas le réservoir à carburant au-delà de sa capacité. L'augmentation de la température de l'essence peut provoquer sa dilatation et, si le réservoir est trop rempli, la dispersion de l'essence dans l'air via la vis d'évent lorsque celle-ci est ouverte. Toute fuite d'essence représente un risque élevé d'incendie.

ENOW00028-A

AVERTISSEMENT

Consultez, le cas échéant, un distributeur agréé pour toute information sur la manipulation de l'essence.

L'essence et ses vapeurs sont des produits hautement inflammables aux propriétés explosives.

Lors du transport d'un réservoir contenant de l'essence :

- Fermez le bouchon du réservoir de carburant et la vis d'évent de celui-ci pour empêcher toute émission de vapeur d'essence par la vis et éviter tout risque d'incendie.
- Il est interdit de fumer.

Pendant ou avant le remplissage du réservoir :

- Assurez-vous d'éliminer l'électricité statique que vous avez accumulée dans votre corps avant de faire le plein.
- Les étincelles causées par l'électricité statique peut causer une explosion de l'essence inflammable.
- Arrêtez le moteur et ne le relancez pas pendant le ravitaillement.
- Il est interdit de fumer.

- **Veillez à ne pas trop remplir le réservoir de carburant. Essayez immédiatement toute trainée d'essence.**

Pendant ou avant le nettoyage du réservoir d'essence :

- **Démontez le réservoir de carburant du bateau.**
- **Placez le réservoir de carburant à bonne distance de toute source d'ignition, telle que des étincelles ou des flammes nues.**
- **Effectuez l'opération en plein air ou dans un espace bien ventilé.**
- **Essayez immédiatement et correctement toute trace d'essence après tout renversement.**

Après le nettoyage du réservoir d'essence :

- **Essayez immédiatement et correctement toute trace d'essence après tout renversement.**
- **Si le réservoir à carburant a été démonté pour le nettoyage, remontez-le correctement. Un assemblage incorrect peut provoquer une fuite d'essence pouvant entraîner un risque d'incendie ou d'explosion.**
- **Éliminez l'essence âgée ou contaminée conformément à la réglementation locale.**

ENOW00029-A

AVERTISSEMENT

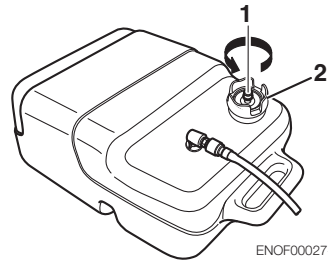
En ouvrant le bouchon du réservoir de carburant, veillez à suivre la procédure décrite ci-dessous. En appliquant une autre procédure, de l'essence pourrait jaillir par le bouchon du réservoir de carburant si celui-ci est desserré, spécialement lorsque la pression de l'essence dans le réservoir a augmenté à cause de sources de chaleur, telles que les rayons du soleil.

ENOW00946-0

CONSEIL DE PRUDENCE

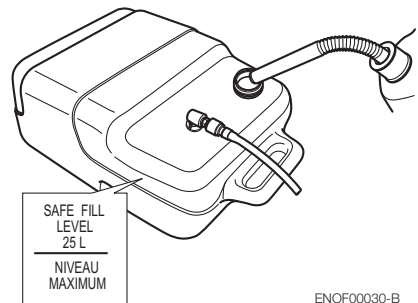
Assurez-vous que le réservoir séparé est fixé à une position appropriée, de sorte qu'il soit bien ventilé et ne bouge pas ni ne tombe lors du fonctionnement.

1. Ouvrez complètement la vis d'évent du bouchon du réservoir d'essence pour relâcher la pression interne.



ENOF00027-A

2. Ouvrez lentement le bouchon du réservoir de carburant.
3. Remplissez prudemment d'essence pour éviter tout débordement.



ENOF00030-B

4. Après le remplissage du réservoir, refermez le bouchon du réservoir d'essence.

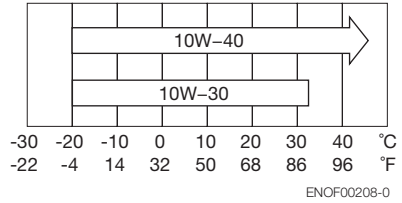
ENOM00037-A

3. Recommandations relatives à l'huile moteur

ENOW00022-A

CONSEIL DE PRUDENCE

L'huile moteur est vidangée pour l'expédition au départ de l'usine. N'oubliez pas de remplir le moteur d'huile jusqu'au niveau correct avant de le mettre en marche. (Pour le remplissage correct du moteur en huile, reportez-vous aux page 66)

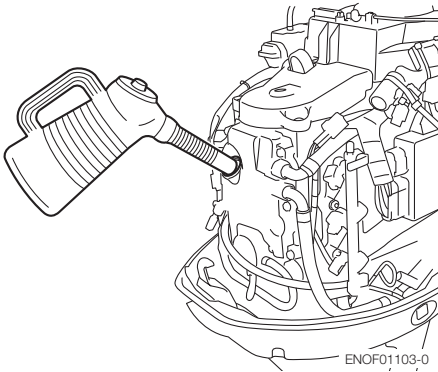


ENOW0002A-A

CONSEIL DE PRUDENCE

L'utilisation d'huiles pour moteurs ne répondant pas à ces exigences réduira la durée de vie du moteur et engendrera d'autres problèmes mécaniques.

6



Utilisez uniquement de l'huile moteur 4 temps de haute qualité pour garantir la performance et la durée de vie du moteur. L'huile SAE de viscosité 10W-30 ou l'huile moteur pour moteur hors-bord 10W-40 FC-W est recommandée.

Vous pouvez également utiliser des huiles de catégorie API SH, SJ, ou SL. Sélectionnez, dans le tableau ci-après, la viscosité appropriée en fonction de la température atmosphérique.

JENOM00033-A

4. Rodage

Le nouveau moteur hors-bord et le bloc de propulsion nécessitent un rodage des composants mobiles suivant les durées recommandées dans le tableau ci-dessous.

Veuillez vous reporter à la section consacrée au FONCTIONNEMENT DU MOTEUR (voir page 37) pour les instructions relatives au démarrage et au fonctionnement corrects du moteur hors-bord.

ENOW00024-A

DANGER

Ne faites pas fonctionner le moteur dans un espace confiné ni dans un local non équipé d'un système de ventilation forcée. Les gaz d'échappement émis par ce moteur hors-bord contiennent du monoxyde de carbone pouvant entraîner la mort s'ils sont inhalés en permanence. Dans un premier temps, l'inhalation de ces gaz produit des symptômes tels qu'une sensation de nausées, un engourdissement et des maux de tête. Pendant le fonctionnement du moteur hors-bord :

- **Veillez à ce que la zone périphérique soit bien ventilée.**
- **Essayez toujours de vous tenir de telle sorte que la direction du vent éloigne les émissions.**

ENOW00023-1

CONSEIL DE PRUDENCE

L'utilisation du moteur hors-bord sans rodage peut réduire la durée de vie du produit.

En cas de détection d'une anomalie pendant le rodage :

- **Arrêtez immédiatement toute activité.**
- **Demandez au distributeur de vérifier le produit et de prendre, le cas échéant, les mesures qui s'imposent.**

ENON00008-0

Remarque

Un rodage dans les règles de l'art permet au moteur hors-bord de dégager toute sa puissance pour une durée de vie plus longue.

	1-10 min	10 min · 2 hrs	2-3 hrs	3-10 hrs	Après 10 h
Position de la commande des gaz	Ralenti	Commande des gaz ouverte à moins de 1/2	Commande des gaz ouverte à moins de 3/4	Commande des gaz ouverte à 3/4	Commande des gaz ouverte à fond
Vitesse		Environ. 3000 min ⁻¹ (tr/min) au maximum	Fonctionnement à plein régime autorisé pendant 1 min toutes les 10 min	Environ. 4000 min ⁻¹ (tr/min) Fonctionnement à plein régime autorisé pendant 2 min toutes les 10 min	

ENOM00039-0

5. Système d'alarme

Si le moteur hors-bord présente une défaillance ou un problème, l'avertisseur sonore émettra un bip continu ou une série de bips intermittents. Dans ce cas, la lampe témoin (DEL) s'allumera en synchronisation avec l'avertisseur et la vitesse du moteur sera réduite (le moteur ne s'arrêtera cependant pas).

Consultez le tableau de la page suivante pour avoir une explication des causes conduisant à un problème ou une défaillance.

6

ENOM00040-A

Emplacement de l'avertisseur sonore et de la lampe témoin

■ Avertisseur sonore

Modèle à commande à distance : Situé à l'intérieur de la commande à distance.

Pour le modèle à poignée de barre multifonction : Situé dans la poignée de barre.

Modèle à poignée de barre : Situé dans le capot du moteur.

■ Lampe témoin (DEL)

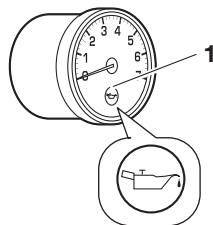
Modèle à commande à distance : Situé dans le tachymètre et le capot inférieur.

Modèles avec poignée de barre multifonction et poignée de barre : Situé sur la capot inférieur.

ENON00009-A

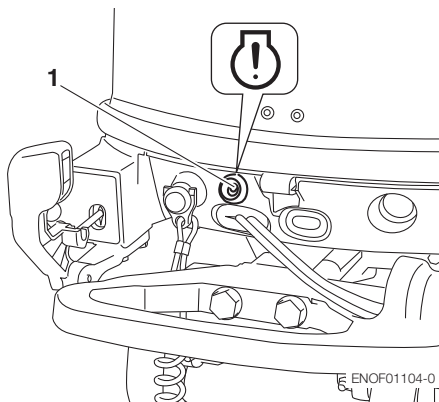
Remarque

Le voyant d'avertissement du tachymètre se synchronise avec le voyant d'avertissement pour le côté moteur.



ENOF00851-A

1. Lampe témoin



ENOF01104-0

1. Lampe témoin

ENOM00041-B

Signaux d'alarme, défaillances et remèdes

Signal d'alarme				Description de la défaillance	Remède
Signal sonore	Lampe témoin (DEL)	ESG basse vitesse	ESG haute ESG		
Un bip	Allumée 5 sec.			Test normal du système au démarrage	
Bip continu	Position ON		Position ON	Le régime du moteur dépasse les TR/MIN maximaux autorisés.	1
Continu* ²	ON* ²	ON* ²		Pression d'huile faible* ¹	2
Bip continu	Position ON	Position ON		Surchauffe de l'eau	3
Bip court en intermittence* ²	Clignotement* ²	ON* ²		Température de l'eau ou pression absolue du collecteur en dehors des limites	4

Remarques

*1: Dans ce cas, le manocapteur de pression d'huile est positionné sur ·ON·.

*2: Il est nécessaire d'arrêter le moteur pour couper les signaux activés et réinitialiser le système d'alarme.

ESG (Electronic Safety Governor - Régulateur de sécurité électronique) haute vitesse

L'ESG haute vitesse est un dispositif de prévention du sur-régime du moteur. Si la charge moteur s'allège pour une raison ou une autre, celui-ci tourne à une vitesse supérieure à la normale. Le signal sonore se fait alors entendre et l'ESG est activé pour ne pas amorcer la bougie, ce qui modifie la vitesse moteur qui est ainsi contrôlée sous 6300 min⁻¹ (tr/min).

ESG basse vitesse

L'ESG basse vitesse est un dispositif de prévention d'endommagement du moteur. Si le moteur présente des problèmes au niveau de l'eau de refroidissement, de la pression d'huile et des capteurs, l'ESG basse vitesse est activé pour ne pas amorcer la bougie et l'alimentation en carburant est coupée, ce qui modifie la vitesse moteur qui est ainsi contrôlée sous 2800 min⁻¹ (tr/min).

Remède

1. Réduisez les gaz jusqu'à ce que le papillon soit refermé à plus de la moitié, rejoignez rapidement un endroit sûr et arrêtez le moteur.

Contrôlez si les pales de l'hélice ne sont pas tordues ou endommagées.

Consultez un distributeur agréé si le moteur présente toujours le même problème, même après le remplacement de l'hélice par une nouvelle.

2. Rejoignez rapidement un endroit sûr et arrêtez le moteur.

Vérifiez le niveau d'huile du moteur et rajoutez-en, si nécessaire.

Consultez votre distributeur si le niveau d'huile du moteur est trop bas ou trop haut.

3. Rejoignez rapidement un endroit sûr, vérifiez l'écoulement de l'eau de refroidissement au niveau de l'orifice de contrôle de la circulation d'eau avec le moteur au ralenti, puis arrêtez le moteur.

Retirez tout corps étranger éventuellement présent dans l'embase et sur l'hélice. Consultez un distributeur agréé en cas de non-écoulement de l'eau de refroidissement.

4. Consultez un distributeur agréé.

- **ESG haute vitesse activé : Le régime du moteur sera limité à 6300 min⁻¹ (rpm), mais le moteur continuera à avoir des ratés jusqu'à réduction des gaz.**
-

6

ENOW00025-A

**CONSEIL DE PRUDENCE**

- **ESG basse vitesse activé : Le régime du moteur sera limité à 2800 min⁻¹ (rpm). Il est cependant conseillé d'arrêter le moteur.**

■ FONCTIONNEMENT DU MOTEUR

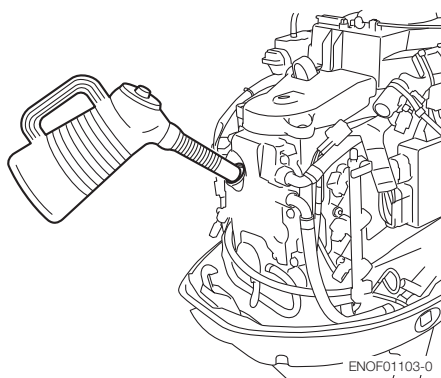
ENOM00042-0

Avant le démarrage

ENOW00022-A

⚠ CONSEIL DE PRUDENCE

L'huile moteur est vidangée pour l'expédition au départ de l'usine. N'oubliez pas de remplir le moteur d'huile jusqu'au niveau correct avant de le mettre en marche. (Pour le remplissage correct du moteur en huile, reportez-vous aux instructions de la page 68)



ENOW00027-A

⚠ CONSEIL DE PRUDENCE

Avant la première mise en service du moteur, après son remontage ou après l'hivernage, il convient de déconnecter le mécanisme de verrouillage de l'interrupteur et de tourner la manivelle une dizaine de fois pour amorcer la pompe à huile.

ENOM00044-A

1. Alimentation en carburant

ENOW00029-A

⚠ AVERTISSEMENT

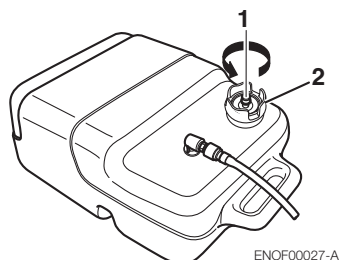
En ouvrant le bouchon du réservoir de carburant, veillez à suivre la procédure décrite ci-dessous. En appliquant une autre procédure, de l'essence pourrait jaillir par le bouchon du réservoir de carburant si celui-ci est desserré, spécialement lorsque la pression de l'essence dans le réservoir a augmenté à cause de sources de chaleur, telles que les rayons du soleil.

ENOW00947-0

⚠ CONSEIL DE PRUDENCE

Lors de l'utilisation d'un réservoir séparé, assurez-vous que la conduite de carburant n'est pas déformée et est correctement raccordée.

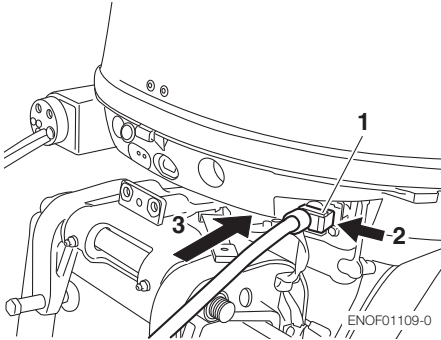
1. Desserrez complètement la vis d'évent du bouchon du réservoir de carburant.



1. Vis d'évent
 2. Bouchon du réservoir à carburant
2. Ouvrez lentement le bouchon du réservoir de carburant pour relâcher complètement la pression interne.

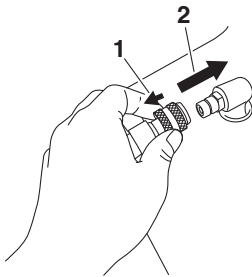
Refermez ensuite le réservoir de carburant.

3. Connectez le raccord de carburant du moteur et du réservoir à carburant.



1. Raccord de carburant
2. Pousser
3. Insérer

7



ENOF00861-A

1. Tirer
2. Insérer

4. Pressez la poire d'amorçage jusqu'à ce qu'elle offre de la résistance pour alimenter le séparateur de vapeur en carburant. Dirigez la flèche vers le haut lors de l'amorçage.



ENOF00862-0

1. Côté moteur
2. Côté réservoir

Ne pressez pas la poire d'amorçage lorsque le moteur fonctionne ou lorsque le moteur hors-bord est relevé. Dans le cas contraire, le carburant pourrait déborder. Dans le cas contraire, le carburant pourrait déborder.

ENOM00045-A

2. Démarrage du moteur

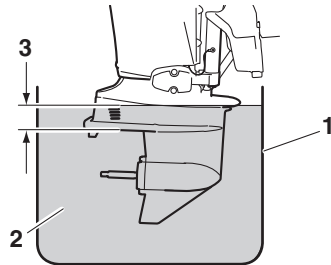
ENOW00036-A

⚠ CONSEIL DE PRUDENCE

Pour éviter toute surchauffe et tout endommagement de la pompe à eau lors du démarrage du moteur dans le réservoir de jaugeage, veillez à ce que le niveau d'eau soit au minimum à 10 cm (4 in) au-dessus de la plaque anti-cavitation.

Veillez également à retirer l'hélice lors du démarrage du moteur dans le réservoir de jaugeage (Voir page 72)

Faire tourner le moteur uniquement en régime ralenti.



ENOF00863-0

1. Réservoir de jaugeage
2. Eau
3. Au moins 10 cm (4 in)

ENOW00036-0

⚠ CONSEIL DE PRUDENCE

Arrêtez immédiatement le moteur s'il n'y a aucun écoulement d'eau par l'orifice de

contrôle de l'eau de refroidissement et vérifiez que la prise d'eau de refroidissement n'est pas obstruée. Le fonctionnement du moteur peut entraîner une surchauffe potentiellement dommageable pour celui-ci. Consultez un distributeur agréé si la cause du problème n'est pas identifiée.

ENOW00032-A

⚠ CONSEIL DE PRUDENCE

Ne tournez pas le démarreur et ne le maintenez pas pendant plus de 5 secondes pour limiter la consommation de la batterie, ce qui rendrait impossible tout éventuel démarrage du moteur et / ou pourrait endommager le mécanisme.

Si le moteur ne démarre pas après 5 secondes, repositionnez la clé de contact sur ·ON·, puis redémarrez le moteur après 10 secondes ou plus.

Ne pas essayer d'amorcer le moteur une fois qu'il a démarré.

Ce modèle est fourni avec une protection de démarrage en prise.

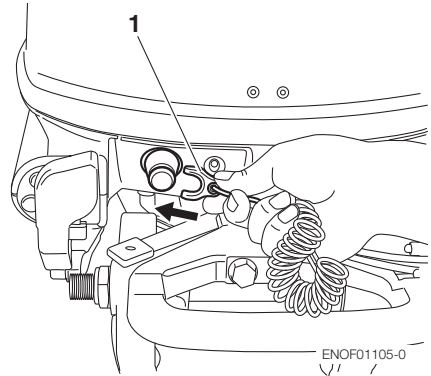
ENON00010-0

Remarque

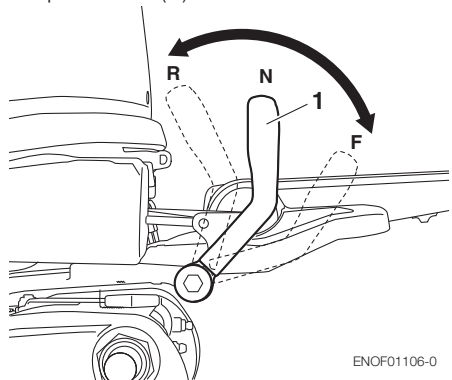
La protection de démarrage en prise empêche le moteur de démarrer dans une position autre que celle du point mort. Le démarrage en prise du moteur mettra instantanément le bateau en mouvement et pourrait faire chuter les passagers, voire les projeter par-dessus bord.

Modèle à poignée de barre

1. Assurez-vous de placer le mécanisme de verrouillage sur l'interrupteur d'arrêt et attachez correctement le cordon de sécurité coupe-circuit à l'opérateur ou à son VFI (vêtement de flottaison individuel).

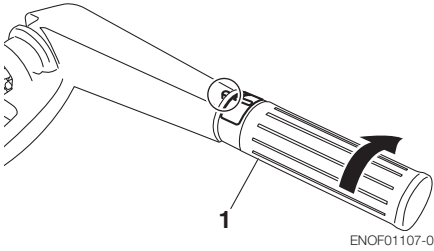


1. Mécanisme de verrouillage de l'interrupteur d'arrêt
2. Positionnez le levier de commande au point mort (N).



1. Levier inverseur

3. Positionnez la poignée des gaz sur START.

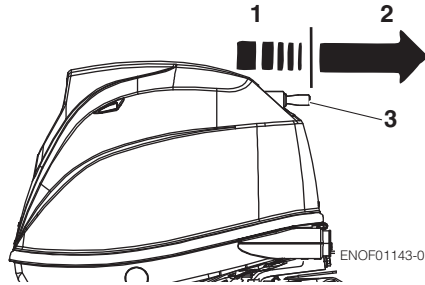


1. Poignée des gaz

(Modèle à démarrage manuel)

Ce moteur est équipé d'une commande de décompression.

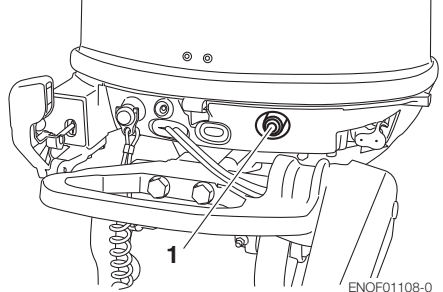
4. Tirez la poignée du lanceur jusqu'à ce que vous sentiez une prise, continuez à tirer jusqu'à ce que vous sentiez la résistance faiblir. Ensuite, retirez-la rapidement. Répétez l'opération jusqu'à ce que le moteur démarre.



1. Lentement
2. Rapidement
3. Poignée de lanceur

(Modèle à démarrage électrique)

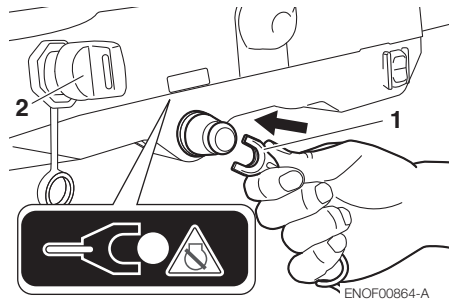
4. Pousser l'interrupteur de démarrage et relâcher l'interrupteur une fois que le moteur a démarré.



1. Bouton de démarrage

Type de poignée de barre multifonction

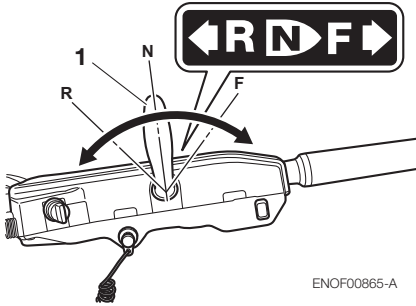
1. Assurez-vous de placer le mécanisme de verrouillage sur l'interrupteur d'arrêt et attachez correctement le cordon de sécurité coupe-circuit à l'opérateur ou à son VFI (vêtement de flottaison individuel).



1. Mécanisme de verrouillage de l'interrupteur d'arrêt
2. Clé de contact

2. Insérez la clé de contact.

3. Positionnez le levier de commande au point mort.



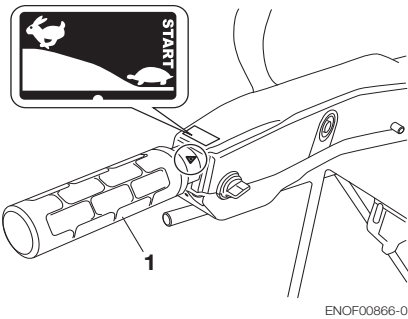
1. Levier inverseur

ENOW00031-0

⚠ CONSEIL DE PRUDENCE

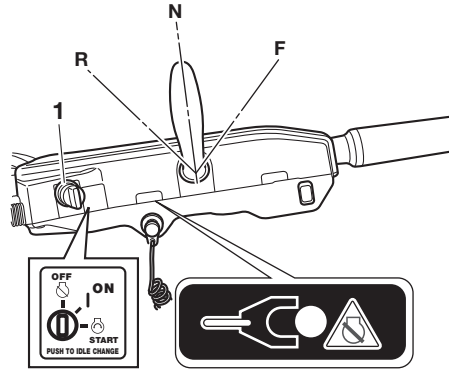
N'utilisez pas le moteur s'il démarre en prise. Contactez un distributeur agréé.

4. Positionnez la poignée des gaz sur START.



1. Poignée des gaz

5. Tournez la clé de contact sur la position ON et tournez la clé de contact principale sur START et relâchez-la lorsque le moteur a démarré. La clé revient automatiquement à sa position initiale.



1. Clé de contact

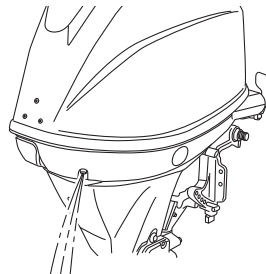
ENOW00032-0

⚠ CONSEIL DE PRUDENCE

Ne tournez pas le démarreur et ne le maintenez pas pendant plus de 5 secondes pour limiter la consommation de la batterie, ce qui rendrait impossible tout éventuel démarrage du moteur et / ou pourrait endommager le mécanisme.

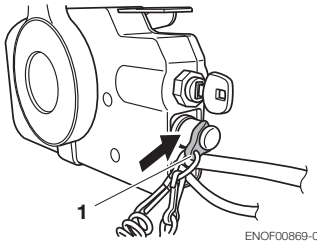
Si le moteur ne démarre pas après 5 secondes, repositionnez la clé de contact sur -ON-, puis redémarrez le moteur après 10 secondes ou plus.

6. Contrôlez l'écoulement de l'eau de refroidissement via l'orifice de contrôle de l'eau de refroidissement.

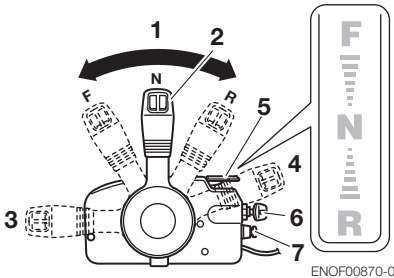


Modèle à commande à distance à montage latéral

1. Assurez-vous de placer le mécanisme de verrouillage sur l'interrupteur d'arrêt et attachez correctement le cordon de sécurité coupe-circuit à l'opérateur ou à son VFI (vêtement de flottaison individuel).



1. Mécanisme de verrouillage de l'interrupteur d'arrêt
2. Insérez la clé de contact.
3. Positionnez le levier de commande au point mort (N). Ne soulevez pas le levier d'accélération au point mort lors du démarrage du moteur.



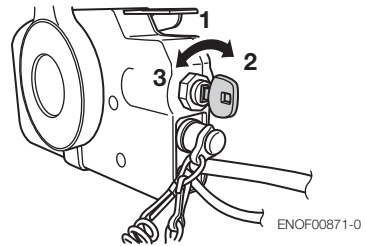
1. Point mort (N)
2. Levier de commande
3. Complètement ouvert (marche avant)
4. Complètement ouvert (marche arrière)
5. Manette des gaz au point mort
6. Clé de contact
7. Interrupteur d'arrêt

ENON00035-A

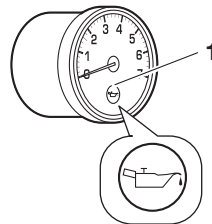
Remarque

La manette des gaz au point mort ne peut être soulevée lorsque le levier inverseur est positionné sur marche avant ou marche arrière.

4. Tournez la clé de contact sur ON.
5. Tournez la clé de contact sur la position START et relâchez-la lorsque le moteur a démarré. Confirmer l'allumage du voyant avec le signal sonore avant d'éteindre. La clé revient automatiquement à sa position initiale.



1. Position ON
2. Position START
3. Position OFF



1. Lampe témoin

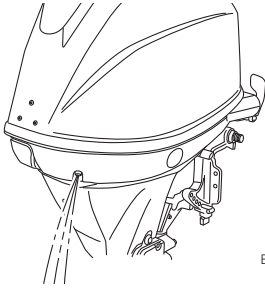
ENON00035-A

Remarque

La manette des gaz au point mort ne peut être soulevée lorsque le levier inverseur est

positionné sur marche avant ou marche arrière.

6. Contrôlez l'écoulement de l'eau de refroidissement via l'orifice de contrôle de l'eau de refroidissement.



ENOF01110-0

ENOM00042-A

Démarrage d'urgence

ENOW00099-A

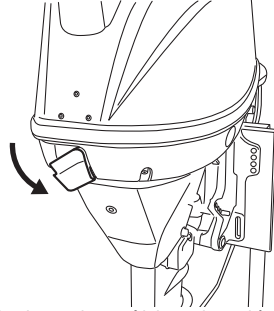
⚠ AVERTISSEMENT

Lorsque la corde de secours du lanceur est utilisée pour démarrer le moteur :

- La protection de démarrage en prise ne fonctionne pas. Assurez-vous de positionner le levier au point mort. Dans le cas contraire, le moteur mettra immédiatement le bateau en mouvement, ce qui pourrait causer des préjudices corporels.
- Veillez à ce que vos habits ou autres articles ne soient pas happés par les pièces rotatives du moteur.
- Pour prévenir tout accident ou préjudice corporel causé par des pièces rotatives, ne remplacez pas le couvercle du volant moteur ni le capot supérieur après le démarrage du moteur.
- Ne tirez pas sur la corde du lanceur si une personne se trouve derrière vous. Cette opération pourrait la blesser.
- Attachez le filin d'arrêt du moteur à un vêtement ou à une partie de votre corps

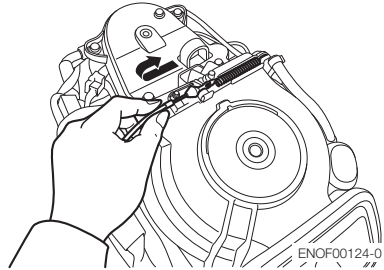
(bras par exemple) avant de démarrer le moteur.

1. Enlevez le capot supérieur.



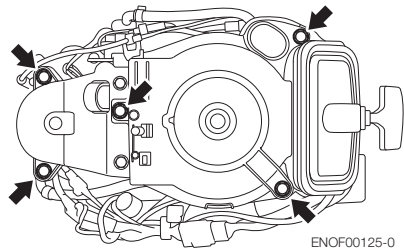
ENOF01111-0

2. Retirez le câble du démarreur du lanceur à rappel.



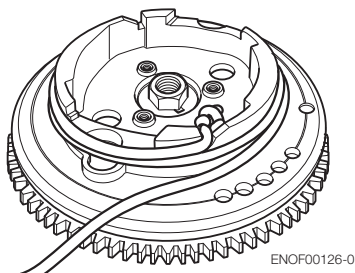
ENOF00124-0

3. Retirez les boulons (au nombre de 5) et enlevez le lanceur à rappel.

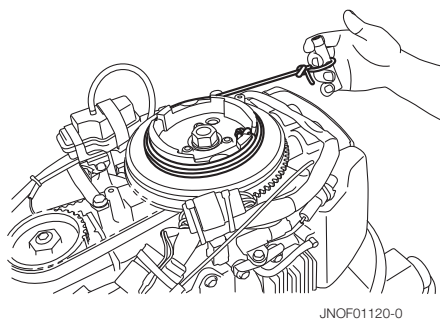


ENOF00125-0

- Insérez l'extrémité nouée de la corde du lanceur dans l'entaille du volant moteur et enroulez plusieurs fois la corde autour du volant moteur dans le sens des aiguilles d'une montre.



- Faites une boucle à l'autre extrémité de la corde de secours du lanceur et attachez-y la clé à douille fournie avec la boîte à outils.



ENOW00860-0

⚠ CONSEIL DE PRUDENCE

Veillez à maintenir le faisceau à bonne distance des pièces rotatives.

- Assurez-vous de placer le mécanisme de verrouillage sur l'interrupteur d'arrêt et attachez correctement le cordon de sécurité coupe-circuit à l'opérateur ou à son VFI (vêtement de flottaison individuel).
- Positionnez le levier de commande au point mort (N).
- Tirez la poignée du lanceur jusqu'à ce que vous sentiez une prise, continuez à tirer jusqu'à ce que vous sentiez la résistance faiblir, puis tirez-la rapidement.
- Après le démarrage du moteur, ne remplacez pas le couvercle du volant moteur ni le capot supérieur.

ENOM00043-A

3. Mise en température du moteur

ENOW00932-0

⚠ CONSEIL DE PRUDENCE

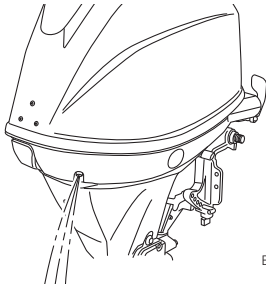
Assurez-vous de vérifier que l'eau de refroidissement sort bien par l'orifice de contrôle pendant la mise en température.

Chauffez le moteur au ralenti pendant environ :

3 minutes : supérieur à 5 °C (41 °F)

5 minutes à 2000 min⁻¹ (tr/min) supérieur à 5 °C (41 °F)

Cela permet à l'huile lubrifiante de circuler sur toutes les pièces du moteur. Utiliser le moteur sans l'avoir mis en température réduira sa durée de vie.



ENOF01110-0

ENOM00044-0

Régimes du moteur

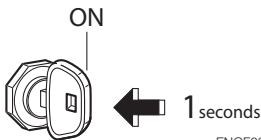
Ralenti après la mise en température.
 Remarque : Lors du démarrage d'un moteur froid, la vitesse de ralenti est augmentée jusqu'à environ 400 min⁻¹ (tr/min) pendant quelques minutes.

Embrayage (en prise)	Débrayage (au point mort)
850 min ⁻¹ (tr/min)	850 min ⁻¹ (tr/min)

ENOM00890-0

Fonction de contrôle de régime du moteur électrique (sauf pour le type de poignée de barre normale)

Si la clé de contact est maintenue endoncée pendant 1 (une) seconde lors de la marche au ralenti ou en vitesse de pêche à la traîne, le régime moteur change.



ENOF00876-0

À chaque fois que la clé de contact est maintenue pressée comme indiqué ci-avant, la vitesse du moteur change

comme suit.

Démarrage

850 min⁻¹ (rpm) → 950 min⁻¹ (rpm)

↑ 950 min⁻¹ (rpm) ← 1050 min⁻¹ (rpm) ↓

Si un seul signal sonore court retentit lorsque la vitesse du moteur est réglée sur 850 rpm, cela indique que le moteur est réglé sur le régime le plus faible.

Si deux signaux sonores courts retentissent lorsque la vitesse du moteur est réglée sur 1050 min⁻¹ (tr/min), cela indique que le moteur est réglé sur le régime le plus élevé.

Si le régime du moteur est supérieur à 3,000 min⁻¹ (tr/min) après le redémarrage du moteur, il convient de régler à nouveau la vitesse du moteur, avant de régler la vitesse de pêche à la traîne du moteur sur 850 min⁻¹ (tr/min) comme norme standard. Par ailleurs, cette fonction de contrôle ne s'enclenche pas lorsque la tension de la batterie est inférieure à celle spécifiée. Dans ce cas, faites tourner le moteur au ralenti pour que la vitesse de pêche à la traîne du moteur revienne automatiquement sur 850 min⁻¹ (tr/min).

ENOM00046-A

4. Marche avant, marche arrière et accélération

ENOW00037-0

⚠ AVERTISSEMENT

Avant de passer la marche avant ou la marche arrière, assurez-vous que le bateau soit correctement amarré et que le

moteur hors-bord puisse être complètement tourné vers la droite et vers la gauche. Assurez-vous qu'aucun baigneur ne se trouve à l'avant ni à l'arrière du bateau.

ENOW00038-A

AVERTISSEMENT

- Attachez l'autre extrémité du cordon de sécurité coupe-circuit à un bras ou à un vêtement de flottaison personnel de l'opérateur et maintenez-le attaché pendant la navigation.
- N'attachez pas le cordon à un vêtement qui se déchire facilement à la moindre traction.
- Veillez à attacher le cordon de sorte qu'il ne puisse être happé par un objet à la moindre traction.
- Veillez à ne pas tirer accidentellement sur le cordon pendant la navigation. Un arrêt involontaire du moteur peut entraîner une perte de contrôle du moteur hors-bord. Une perte brutale de puissance du moteur peut occasionner la chute des passagers, voire leur éjection par-dessus bord.

ENOW00042-0

AVERTISSEMENT

- N'enclenchez pas la marche arrière au cours du déjaugage pour éviter toute perte de contrôle qui pourrait entraîner de sérieux préjudices corporels, la submersion du bateau et / ou l'endommagement de la coque.
- N'enclenchez pas la marche arrière pendant la navigation pour éviter toute perte de contrôle, toute chute des passagers ou toute éjection de ceux-ci par-dessus bord. Ceci pourrait entraîner de sérieux préjudices corporels, ainsi que l'endommagement du circuit de

direction et / ou du mécanisme d'inversion.

ENOW00861-0

AVERTISSEMENT

N'inversez pas le sens de la marche du bateau à vitesse élevée pour éviter toute perte de contrôle, toute chute des passagers ou toute éjection de ceux-ci par-dessus bord. Ceci pourrait entraîner de sérieux préjudices corporels.

ENOW00862-0

CONSEIL DE PRUDENCE

Le fait d'inverser le sens de la marche à haut régime peut occasionner d'importants dégâts aux engrenages et à l'embrayage. Le moteur doit toujours tourner au ralenti avant d'effectuer toute inversion de marche.

ENOW00863-0

CONSEIL DE PRUDENCE

La vitesse de ralenti peut être plus élevée pendant la mise en température du moteur. S'il est en position "Forward" (Marche avant) ou "Reverse" (Marche arrière) pendant la mise en température, il peut s'avérer difficile de le ramener en position "Neutral" (Point mort). Dans cette éventualité, arrêtez le moteur, mettez-le au point mort et redémarrez le moteur pour le réchauffer.

ENON00014-0

Remarque

De fréquents enclenchements en marche avant ou marche arrière peuvent accélérer l'usure ou la dégradation des pièces. Dans ce cas, remplacez plus souvent l'huile pour embase par rapport aux intervalles spécifiés.

ENOW00864-0

⚠ CONSEIL DE PRUDENCE

N'augmentez pas inutilement le régime du moteur lorsque le levier de vitesse est positionné au point mort ou en marche arrière afin d'éviter tout endommagement du moteur.

ENOM00890-A

Modèle à poignée de barre

ENOW00865-0

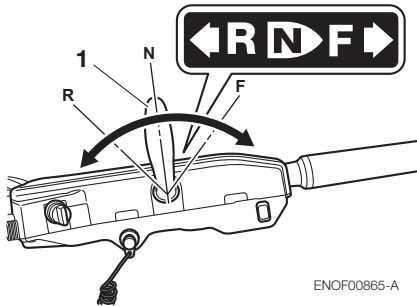
⚠ CONSEIL DE PRUDENCE

Ne forcez pas l'inversion de marche si la poignée des gaz n'est pas complètement fermée pour éviter tout endommagement du circuit de direction et / ou du mécanisme d'inversion. Le levier de commande est inopérant, à moins que la poignée des gaz ne soit complètement fermée. (Type de poignée de barre multifonction)

ENOW00867-0

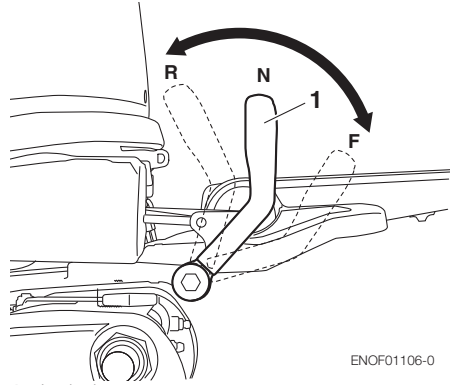
⚠ AVERTISSEMENT

Une accélération et décélération soudaine pourrait faire basculer ou projeter les passagers par-dessus bord.



ENOF00865-A

1. Levier inverseur



ENOF01106-0

1. Levier inverseur

Marche avant

1. Tournez la poignée des gaz pour réduire le régime du moteur.
2. Quand le moteur atteint le régime de pêche à la traîne (ou le ralenti), tirez rapidement le levier inverseur sur la position de marche avant.

Marche arrière

1. Tournez la poignée des gaz pour réduire le régime du moteur.
2. Quand le moteur atteint le régime de pêche à la traîne (ou le ralenti), tirez rapidement le levier inverseur sur la position de marche arrière.

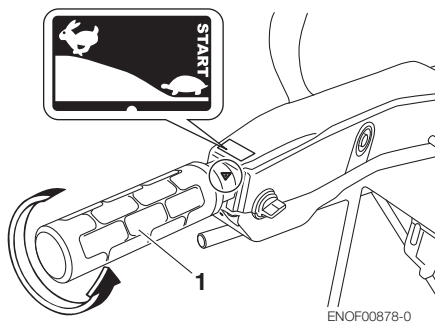
Accélération

ENOW00867-0

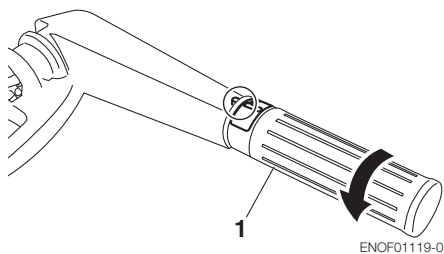
⚠ AVERTISSEMENT

Une accélération et décélération soudaine pourrait faire basculer ou projeter les passagers par-dessus bord.

Ouvrez graduellement la poignée des gaz.



1. Poignée des gaz



1. Poignée des gaz

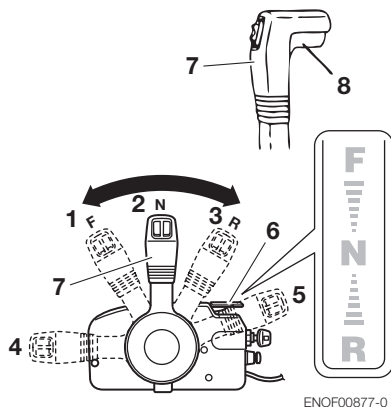
ENOM0900-0

Modèle à commande à distance à montage latéral

ENOW00867-0

AVERTISSEMENT

Une accélération et décélération soudaine pourrait faire basculer ou projeter les passagers par-dessus bord.



1. Marche avant (F)
2. Point mort (N)
3. Marche arrière (R)
4. Complètement ouvert (marche avant)
5. Complètement ouvert (marche arrière)
6. Manette des gaz au point mort
7. Levier de commande
8. Bouton de verrouillage

Marche avant

1. Poussez rapidement le levier de commande sur la position marche avant (F) en position 32-, à l'endroit où l'engrenage est couplé, tout en appuyant sur le bouton de verrouillage situé sous la poignée du levier de commande.
2. Tout déplacement ultérieur en marche avant ouvrira le papillon des gaz.

Marche arrière

1. Tirez rapidement le levier de commande sur la position marche arrière (R) en position 32-, à l'endroit où l'engrenage est couplé, tout en appuyant sur le bouton de verrouillage situé sous la poignée du levier de commande.
2. Tout déplacement ultérieur en marche arrière ouvrira le papillon des gaz.

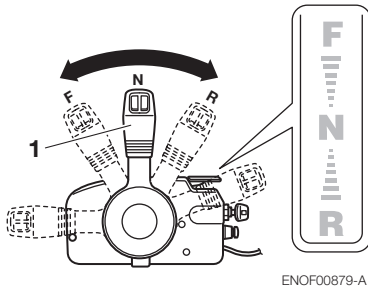
Accélération

ENOW00867-A

⚠️ CONSEIL DE PRUDENCE

Une accélération et décélération soudaine pourrait faire basculer ou projeter les passagers par-dessus bord.

Ouvrez graduellement le levier de commande.



1. Levier de commande

ENOM00049-A

5. Arrêt du moteur

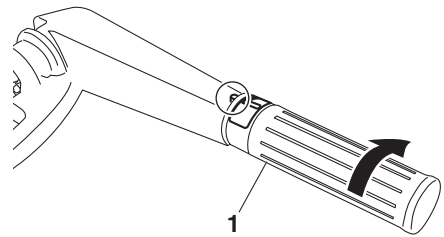
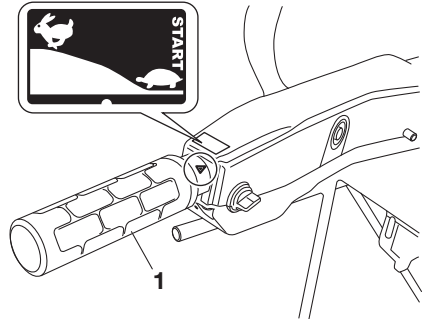
ENOW00868-0

⚠️ AVERTISSEMENT

Faites attention à ne pas retirer accidentellement le filin d'arrêt du moteur de ce dernier lorsque le bateau est en mouvement. Un brusque arrêt du moteur pourrait entraîner une perte de contrôle de la direction. En raison de la force d'inertie consécutive à une perte de vitesse du bateau, il pourrait également entraîner la projection en avant de la ou des personnes présentes à bord et / ou des objets se trouvant sur le bateau.

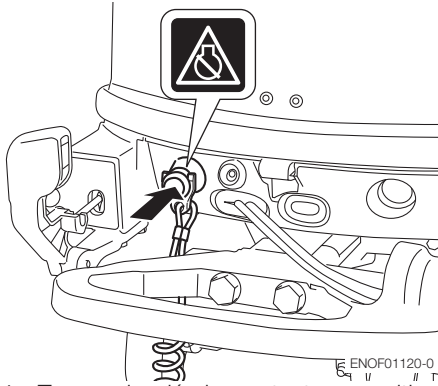
Modèle à poignée de barre

1. Tournez la poignée des gaz en position de régime lent.

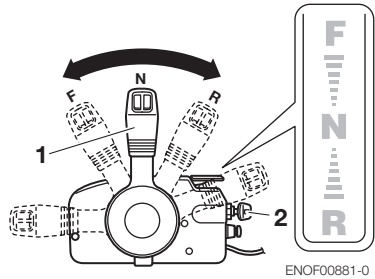


1. Poignée des gaz

2. Placez le levier inverseur sur le point mort (Neutral).
Faites tourner le moteur pendant 2 ou 3 minutes au ralenti pour le refroidir s'il a fonctionné à plein gaz.
3. Poussez l'interrupteur d'arrêt pendant quelques secondes pour arrêter le moteur.

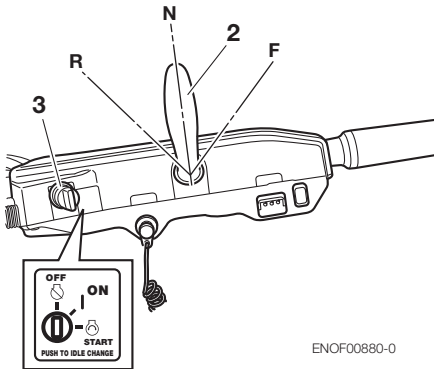


4. Tourner la clé de contact en position OFF ou actionnez l'interrupteur d'arrêt. (Ne pas oublier de mettre la clé de contact sur OFF).



2. Tourner la clé de contact en position OFF ou actionnez l'interrupteur d'arrêt. (Ne pas oublier de mettre la clé de contact sur OFF).

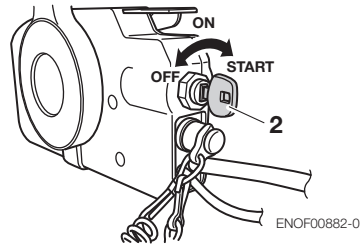
7



1. Poignée des gaz
2. Levier inverseur
3. Clé de contact

Modèle à commande à distance à montage latéral

1. Positionnez le levier inverseur au point mort et faites tourner le moteur au ralenti pendant 2 à 3 minutes pour le refroidir s'il vient de fonctionner à plein régime.



1. Levier de commande
2. Clé de contact

ENOW00869-0

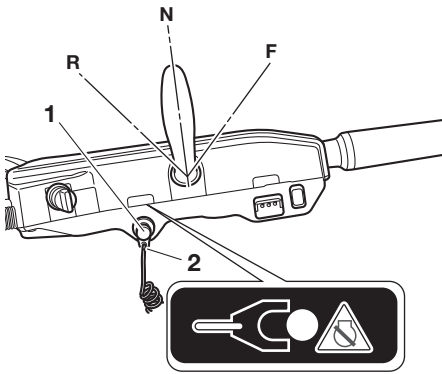
⚠ AVERTISSEMENT

Après arrêt du moteur :

- Fermez la vis d'évent du bouchon du réservoir de carburant.
- Débranchez le raccord de carburant du moteur et du réservoir à carburant.
- Débranchez les câbles de la batterie après chaque utilisation.

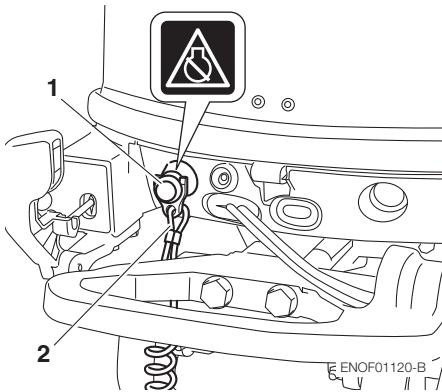
Arrêt d'urgence du moteur

Retirer le mécanisme de verrouillage de l'interrupteur d'arrêt afin de couper le moteur.

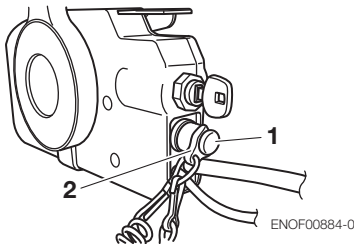


ENOF00883-A

- 1. Interrupteur d'arrêt
- 2. Mécanisme de verrouillage de l'interrupteur d'arrêt



ENOF01120-B



ENOF00884-0

- 1. Interrupteur d'arrêt
- 2. Mécanisme de verrouillage de l'interrupteur d'arrêt

ENOM00910-0

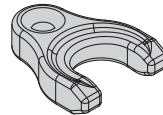
Mécanisme de verrouillage de l'interrupteur d'arrêt d'urgence de recharge

La trousse à outils contient un mécanisme de verrouillage de l'interrupteur d'arrêt d'urgence de recharge.

Lorsqu'ils sont utilisés conformément aux instructions, le clip de l'interrupteur d'arrêt d'urgence et le cordon de sécurité coupe-circuit arrêtent le moteur si l'opérateur s'éloignait des commandes.

Si l'opérateur venait à tomber à l'eau, veuillez à utiliser le mécanisme de verrouillage de l'interrupteur d'arrêt d'urgence de recharge.

Assurez-vous que le mécanisme de verrouillage de l'interrupteur d'arrêt d'urgence de recharge se trouve bien dans la boîte à outils avant le démarrage du moteur.



ENOF00891-0

ENOM00920-0

6. Conduite

ENOW00870-0

⚠ AVERTISSEMENT

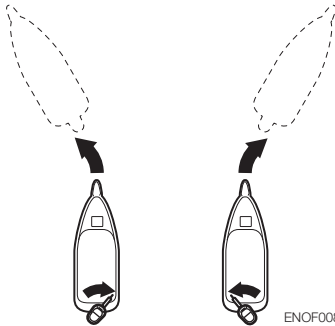
Tout changement soudain de direction pourrait faire basculer ou projeter les passagers par-dessus bord.

Modèle à poignée de barre**Virage à droite**

Déplacez la poignée de barre vers la gauche.

Virage à gauche

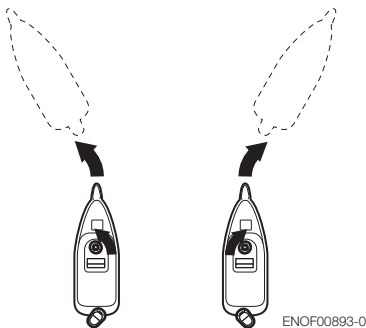
Déplacez la poignée de barre vers la droite.

**7** **Modèle à commande à distance****Virage à droite**

Tournez le volant vers la droite.

Virage à gauche

Tournez le volant vers la gauche.



ENOM00050-0

7. Angle d'assiette

ENOW00043-A

⚠ AVERTISSEMENT

- Ajuster l'angle de relevage lorsque le moteur est arrêté.
- N'introduisez pas vos doigts ou vos mains entre le bloc du moteur hors-bord et l'étrier de fixation pendant le réglage de l'angle d'assiette pour éviter toute blessure au cas où le bloc moteur venait à tomber.
- Une position de relevage incorrecte peut provoquer une perte de contrôle du bateau. Lors de l'essai d'une position de relevage, naviguez d'abord à vitesse réduite pour vérifier que le bateau peut être contrôlé en toute sécurité.

ENOW00044-0

⚠ AVERTISSEMENT

Une assiette relevée ou rabaissée à l'excès peut rendre la conduite du bateau instable et éventuellement être à l'origine de problèmes de manœuvrabilité entraînant un risque d'accident pendant la navigation.

- Ne naviguez pas à une vitesse élevée si vous suspectez une position incorrecte de l'assiette. Dans cette éventualité, arrêtez le bateau et réajustez l'angle d'assiette avant de poursuivre la navigation.
- Pour les modèles de moteurs hors-bord équipés d'un interrupteur autobloquant sur le capot inférieur, n'actionnez pas cet interrupteur pendant la navigation pour éviter toute perte de contrôle du bateau.

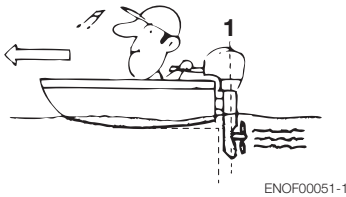
L'angle d'assiette du moteur hors-bord peut être ajusté en fonction de l'angle du tableau arrière de la coque et des conditions de charge. Choisissez l'angle

d'assiette approprié qui permettra à la plaque anti-cavitation de se déplacer parallèlement à la surface de l'eau pendant la navigation.

ENOM00052-0

Angle d'assiette correct

La position de la tige de butée est correcte si la coque est horizontale pendant la navigation.



ENOF00051-1

- 1. Perpendiculaire à la surface de l'eau

ENOM00053-0

Angle d'assiette incorrect (la proue est trop élevée)

Réglez la tige de butée plus bas si la proue est plus élevée que l'horizontale.



ENOF00052-0

ENOM00054-0

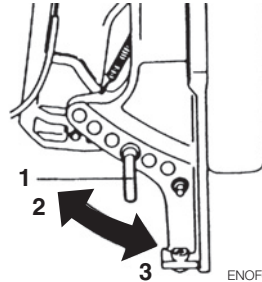
Angle d'assiette incorrect (la proue plonge dans l'eau)

Réglez la tige de butée plus haut si la proue est moins élevée que l'horizontale.



ENOF00053-0

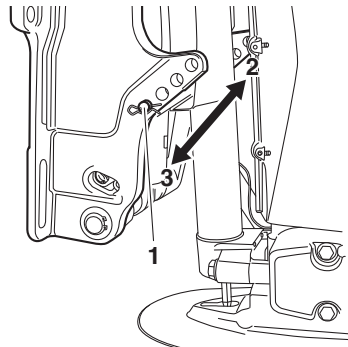
■ Type à relevage manuel



ENOF00674-B

- 1. Tige de butée
- 2. Plus haut
- 3. Partie inférieure

■ Type à relevage assisté



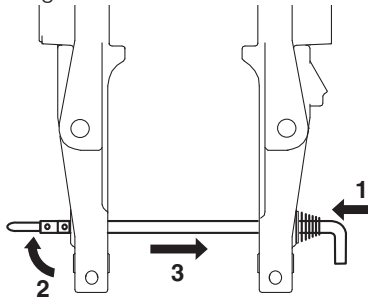
ENOF00888-0

- 1. Tige de butée
- 2. Plus haut
- 3. Partie inférieure

Ajustement d'angle de relevage (type à relevage manuel)

Ajustement d'angle du tableau arrière

1. Arrêtez le moteur.
2. Placer le levier au point mort.
3. Placez le moteur hors-bord en position relevée.
4. Changer la position de la barre de réglage comme il l'est illustré dans l'image suivante.



ENOF01238-1

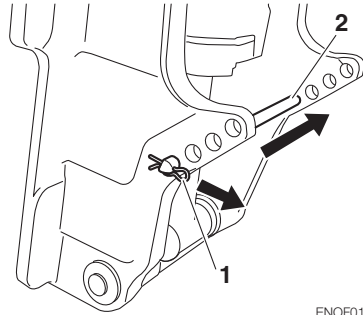
1. Pousser vers l'intérieur
2. Relever la butée
3. Retirer
5. Réinstaller correctement la barre de réglage.
6. Abaissez doucement le moteur hors-bord.

Ajustement d'angle de relevage (type à relevage assisté)

Ajustement d'angle du tableau arrière

1. Arrêtez le moteur.
2. Activez l'interrupteur du dispositif de relevage et relevez le moteur hors-bord.
3. Verrouiller le relevage avec la butée de relevage.

4. Changer la position de la goupille de verrouillage de relevage comme il l'est illustré dans l'image suivante.



ENOF01147-0

1. Goupille à pression
2. Tige de butée
5. Réinstaller correctement la barre de réglage.
6. Activez l'interrupteur du dispositif de relevage et abaissez le moteur hors-bord.

ENOM00060-A

8. Relever et abaisser

ENOW00055-0

AVERTISSEMENT

Ne relevez pas ni n'inclinez le moteur hors-bord quand des baigneurs ou des passagers se trouvent à proximité pour éviter qu'ils soient pris entre le bloc du moteur hors-bord et l'étrier de fixation au cas où le moteur venait à tomber.

ENOW00048-0

AVERTISSEMENT

Lors d'une opération d'inclinaison ou de relevage, ne placez jamais votre main entre le support d'articulation et le bras du tableau arrière.

Veillez à abaisser lentement le moteur hors-bord.

ENOW00056-A

AVERTISSEMENT

Lorsque vous relevez le moteur hors-bord avec le raccord à carburant en position au-delà de quelques minutes, n'oubliez pas de débrancher le tuyau de carburant pour éviter tout risque de fuite, et par conséquent, tout risque d'incendie.

ENOW00057-0

CONSEIL DE PRUDENCE

Ne relevez pas le moteur hors-bord pendant que le moteur fonctionne ou s'il n'y a pas d'approvisionnement en eau de refroidissement, car cela pourrait entraîner un grippage du moteur à cause d'une surchauffe.

ENON00921-0

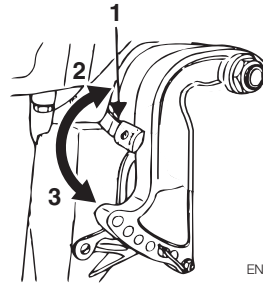
Remarque

Après avoir arrêté le moteur hors-bord, laissez-le en position de fonctionnement pendant environ une minute avant de le relever pour permettre l'écoulement de l'eau présente dans le moteur.

ENOM00062-0

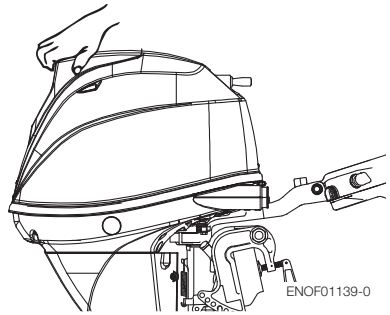
Type à relevage manuel
Relevage

Poussez le levier de verrouillage de marche arrière vers le bas jusqu'à ce qu'il s'arrête. (C'est la position relevée.) Maintenant, relevez le moteur hors-bord complètement jusqu'à ce qu'il se verrouille.



ENOF00059-0

- 1. Levier de verrouillage de marche arrière
- 2. Position relevée
- 3. Position abaissée



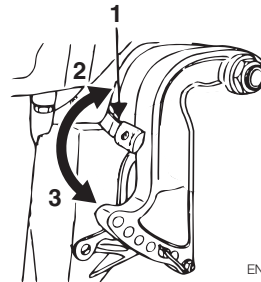
ENOF01139-0

7

ENOM00063-0

Rabaissement

Tirez le levier de verrouillage de marche arrière vers le haut jusqu'à ce qu'il s'arrête. (C'est la position abaissée.) Maintenant, soulevez légèrement le moteur hors-bord et laissez la gravité l'abaisser pour vous.



ENOF00059-0

- 1. Levier de verrouillage de marche arrière

- 2. Position relevée
- 3. Position abaissée

ENOM00069-B

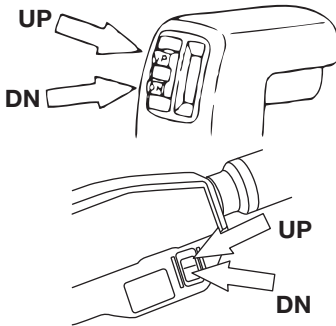
Type à relevage assisté

Relevage

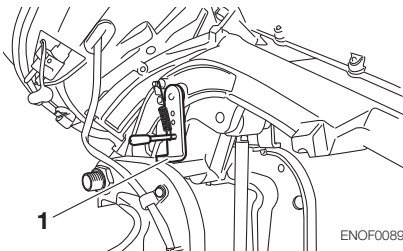
1. Activez l'interrupteur du dispositif de relevage et relevez le moteur hors-bord.
2. Verrouillez l'inclinaison à l'aide de la butée de relevage après avoir relevé le moteur hors-bord.

Rabaissement

1. Relâchez la butée de relevage de la position de paramétrage tout en inclinant légèrement le moteur hors-bord.
2. Activez l'interrupteur d'inclinaison et de relevage, puis abaissez le moteur hors-bord jusqu'à ce qu'il touche la tige de butée.



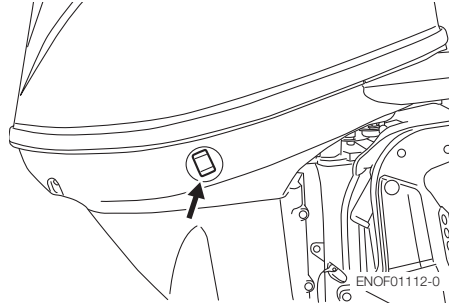
ENOF00067-1



ENOF00890-0

1. Butée de relevage

Le moteur hors-bord peut également être relevé en activant l'interrupteur situé sous le capot inférieur.



Il est possible de relever ou d'abaisser le moteur, indépendamment du fait que l'interrupteur principal soit en position ·ON· ou ·OFF·.

ENOM00940-0

Soupage de décharge manuelle

Si le dispositif d'inclinaison et de relevage ne fonctionne pas parce que la batterie est à plat, ouvrez complètement la soupape de décharge manuelle dans la direction Manuel. Cette opération permettra le relevage manuel du moteur hors-bord.

ENOW00872-0

AVERTISSEMENT

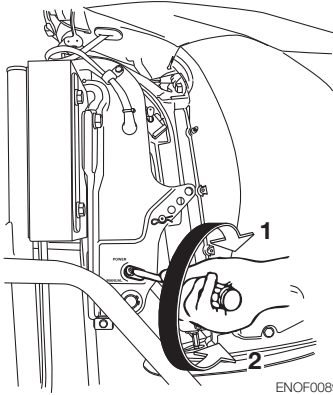
Assurez-vous de fermer la soupape de décharge manuelle avant de démarrer le moteur hors-bord. Si cette dernière n'est pas fermée, le moteur hors-bord se relèvera lorsqu'il fonctionne en marche arrière.

ENOW00873-0

AVERTISSEMENT

Avant d'ouvrir la soupape de décharge manuelle, veillez à ce que personne ne se

trouve sous le moteur hors-bord. Si le moteur hors-bord se trouve en position relevée, il pourrait se rabaisser soudainement si la soupape de décharge manuelle est relâchée en direction Manuel.



ENOF00892-0

- 1. Électrique
- 2. Manuel

ENOM00068-A

9. Utilisation en eaux peu profondes

ENOW00051-0

⚠ AVERTISSEMENT

Lors de l'utilisation en eaux peu profondes, ne placez jamais votre main entre le support d'articulation et le bras du tableau arrière. Veuillez à abaisser lentement le moteur hors-bord.

ENOW00053-0

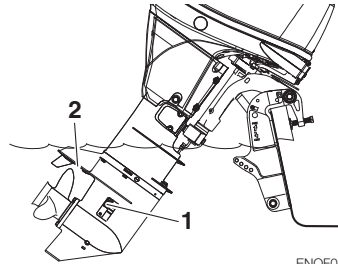
⚠ CONSEIL DE PRUDENCE

N'enclenchez pas la marche arrière lorsque vous naviguez en eaux peu profondes. Faites tourner le moteur hors-bord à faible régime et maintenez la prise d'eau de refroidissement immergée.

ENOW00054-0

⚠ CONSEIL DE PRUDENCE

N'inclinez pas trop le moteur hors-bord lors d'une navigation en eaux peu profondes, car de l'air pourrait être aspiré par la prise d'eau secondaire et le moteur pourrait surchauffer.



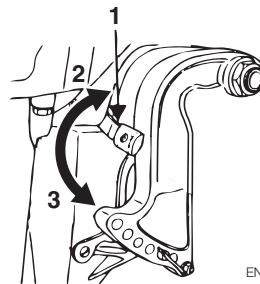
ENOF01144-0

- 1. Prise d'eau
- 2. Prise d'eau secondaire

Type à relevage manuel

- 1. Position de fonctionnement en eaux peu profondes

Placez le levier de verrouillage de marche arrière en position relevée et levez le moteur hors-bord pour le mettre en position de navigation en eaux peu profondes.

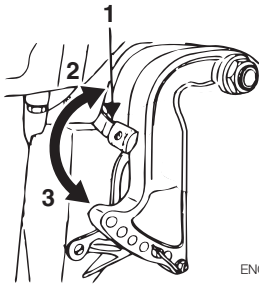


ENOF00059-0

- 1. Levier de verrouillage de marche arrière
- 2. Position relevée
- 3. Position abaissée

2. Retour en position de fonctionnement normal :

Placez le levier de verrouillage de marche arrière en position abaissée, soulevez légèrement le moteur, puis abaissez-le.



ENOF00059-0

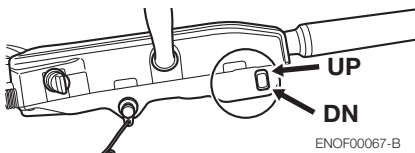
1. Levier de verrouillage de marche arrière
2. Position relevée
3. Position abaissée

7

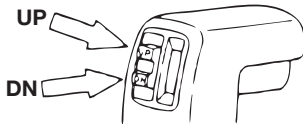
ENOM00069-A

Type à relevage assisté

1. Activez l'interrupteur du dispositif d'inclinaison et de relevage et relevez le moteur hors-bord dans la position de fonctionnement en eaux peu profondes souhaitée.



ENOF00067-B



ENOF00067-0

■ DÉPOSE ET TRANSPORT DU MOTEUR HORS-BORD

ENOM00070-A

1. Dépose du moteur hors-bord

ENOW00890-0

⚠ AVERTISSEMENT

Avant d'installer le moteur hors-bord sur le bateau, suspendez le moteur par son crochet de suspension à l'aide d'un palan ou d'un dispositif similaire.

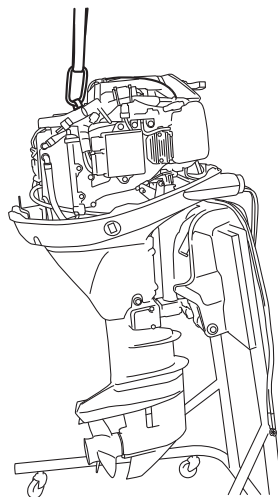
Veillez à utiliser un palan permettant d'utiliser une charge d'au moins 150 kg (330 lbs).

ENOW00064-0

⚠ CONSEIL DE PRUDENCE

Le moteur peut être chaud immédiatement après avoir été utilisé et peut entraîner des brûlures s'il est touché. Laissez refroidir le moteur hors-bord avant de le transporter.

1. Arrêtez le moteur.
2. Enlevez le capot supérieur.
3. Débranchez le raccord de carburant, les câbles de commande à distance et les câbles de batterie du moteur hors-bord.
4. Fixez les crochets du palan au crochet de suspension du moteur.
5. Retirez le moteur hors-bord du bateau et vidangez toute l'eau de l'embase.



ENOF01102-0

ENOM00071-A

2. Transport du moteur hors-bord

ENOW00933-0

⚠ AVERTISSEMENT

N'oubliez pas de débrancher le raccord à carburant lorsque le moteur n'est pas en fonctionnement.

Toute fuite de carburant représente un risque d'incendie ou d'explosion pouvant entraîner des lésions corporelles graves, voire mortelles.

ENOW00065-0

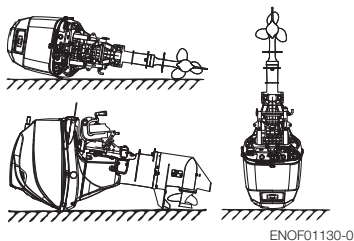
⚠ AVERTISSEMENT

Fermez la vis d'évent du réservoir à carburant avant tout transport ou entreposage du moteur et du réservoir afin d'éviter tout risque de fuite et, par conséquent, tout risque d'incendie.

ENOW00066-0

⚠ CONSEIL DE PRUDENCE

- Évitez tout choc au moteur hors-bord pendant le transport. Ceci pourrait l'endommager.
- Ne transportez ni n'entrez le moteur hors-bord dans une position comme celle décrite ci-dessous. Sinon, toute fuite d'huile pourrait endommager le moteur ou des biens à proximité.

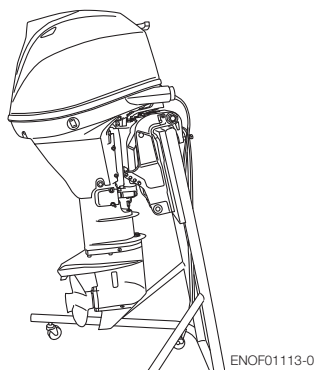


ENOF01130-0

8

Gardez le moteur hors-bord dans une position verticale quand vous le transportez.

Il est recommandé d'utiliser le support en option pour maintenir le moteur hors-bord à la verticale pendant le transport et l'entreposage.

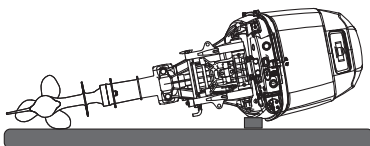


ENOF01113-0

ENON00021-A

Remarque

- Si le moteur hors-bord doit être couché, veillez à vidanger le carburant et l'huile moteur avant de le poser sur son côté bâbord comme le montre l'illustration ci-dessus.
- Soulevez le bloc moteur de 2 à 4 pouces (5 à 10 cm) en cas de déplacement pour éviter toute fuite d'huile.



ENOF01127-0

ENOM00072-A

3. Remorquage

ENOW00072-0

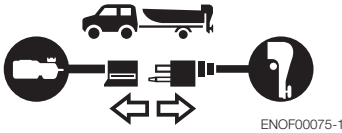
⚠ CONSEIL DE PRUDENCE

Le remorquage avec le moteur en position inclinée peut endommager le moteur hors-bord, le bateau, etc.

ENOW00073-A

AVERTISSEMENT

N'oubliez pas de débrancher le raccord de carburant lorsque le moteur n'est pas en fonctionnement.
Toute fuite de carburant représente un risque d'incendie ou d'explosion pouvant entraîner des lésions corporelles graves, voire mortelles.



ENOW00068-0

AVERTISSEMENT

Fermez la vis d'évent du réservoir à carburant et le robinet de carburant avant tout transport ou entreposage du moteur et du réservoir afin d'éviter tout risque de fuite et, par conséquent, tout risque d'incendie.

ENOW00071-0

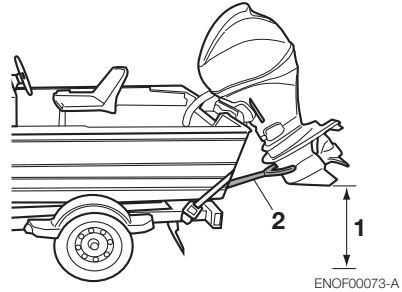
CONSEIL DE PRUDENCE

Le support d'inclinaison fourni avec votre moteur hors-bord n'est pas prévu pour le remorquage. Il est destiné à supporter le moteur lorsque le bateau est amarré, tiré au sec, etc.

Lors du transport en remorque du bateau avec le moteur hors-bord encore fixé, il convient de déconnecter au préalable le tuyau à carburant de ce dernier et de le maintenir en position de fonctionnement normal ou sur une barre de protection du tableau arrière.

Modèle à poignée de barre

Pour empêcher le moteur hors-bord de bouger lorsqu'il est fixé sur un bateau pendant le transport de celui-ci sur une remorque, il faut resserrer correctement le levier de friction d'embrayage (page 58).



1. Veillez à une garde au sol suffisante.
2. Barre de protection du tableau arrière

ENOW00067-0

AVERTISSEMENT

Ne passez jamais sous le moteur hors-bord relevé, même s'il est soutenu par une barre de soutien. En effet, toute chute accidentelle du moteur pourrait entraîner de sérieux préjudices corporels.

RÉGLAGES

ENOM00073-0

1. Friction de direction

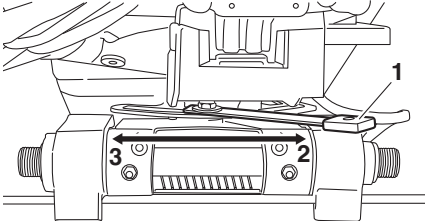
Modèle à poignée de barre

ENOW00074-A

AVERTISSEMENT

Ne serrez pas trop le levier de friction de direction car cela pourrait rendre le mouvement difficile et provoquer une perte de contrôle, pouvant causer un accident et entraîner de sérieux préjudices corporels.

Réglez ce levier pour obtenir la friction d'embrayage (frottement) souhaitée au niveau de la poignée de barre. Déplacez le levier vers (2) pour diminuer la friction et vers (3) pour l'augmenter.



ENOF00910-0

1. Levier de friction d'embrayage
2. Diminution
3. Augmentation

ENOM00074-A

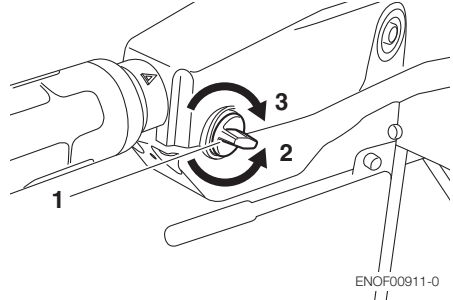
2. Friction de la poignée des gaz

ENOW00074-B

AVERTISSEMENT

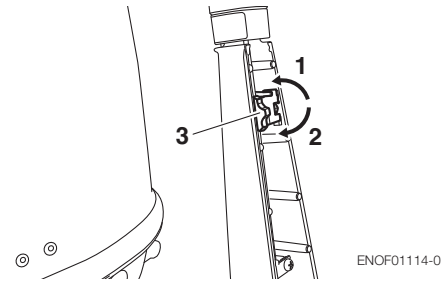
Ne serrez pas trop la vis de réglage de la poignée des gaz car cela pourrait rendre le mouvement difficile et provoquer une perte de contrôle pouvant causer un accident et entraîner de sérieux préjudices corporels.

L'ajustement de la friction de la poignée des gaz peut être réalisé au moyen de la vis de réglage de la poignée des gaz.



ENOF00911-0

1. Vis de réglage de la friction de la poignée des gaz
2. Diminution
3. Augmentation



ENOF01114-0

1. Diminution
2. Augmentation
3. Vis de réglage de la friction de la poignée des gaz

ENOM00075-0

3. Friction du levier de la commande à distance

ENOW00074-C

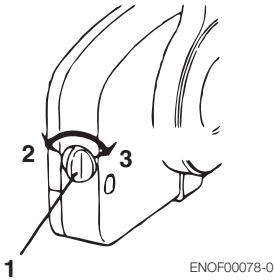
AVERTISSEMENT

Ne serrez pas trop la vis de réglage de la friction de la poignée des gaz de la commande à distance car cela pourrait rendre le mouvement difficile et provoquer une perte de contrôle pouvant causer un accident et entraîner de sérieux préjudices corporels.

Pour ajuster la charge du levier de la

commande à distance, tournez la vis de réglage de la friction de la poignée des gaz sur le devant de la commande à distance. Tournez dans le sens contraire des aiguilles d'une montre pour augmenter la charge ou dans le sens contraire pour la diminuer.

Modèle à montage latéral



- 1. Vis de réglage de la friction de la poignée des gaz
- 2. Diminution
- 3. Augmentation

ENOM00076-0

4. Réglage de la dérive

ENOW00076-1

AVERTISSEMENT

- Assurez-vous que le moteur hors-bord est solidement fixé au tableau arrière ou à un banc d'entretien pour éviter tout risque de chute accidentelle du moteur qui pourrait entraîner de sérieuses lésions corporelles.
- Veillez à verrouiller le moteur hors-bord lorsqu'il est relevé afin de prévenir tout risque de chute accidentelle de celui-ci pouvant entraîner de préjudices corporels graves.
- Ne passez pas en dessous d'un moteur hors-bord relevé et verrouillé parce que

la chute accidentelle de celui-ci pourrait provoquer de graves lésions corporelles.

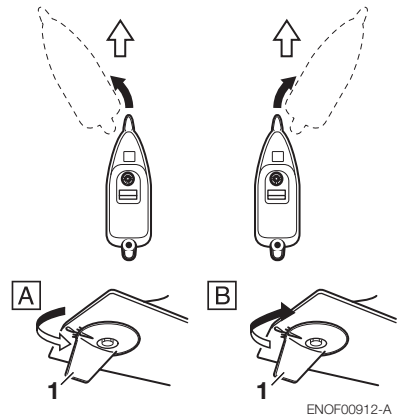
ENOW00075-1

AVERTISSEMENT

Un réglage incorrect de la dérive peut entraîner des problèmes de conduite. Après avoir installé ou réglé la dérive, vérifiez si l'effort de direction est uniforme.

S'il est impossible de naviguer en ligne droite, réglez la dérive située sous la plaque anti-cavitation.

- Si le bateau vire vers la gauche, dirigez la dérive vers A (gauche à partir de l'arrière du bateau).
- Si le bateau vire vers la droite, dirigez la dérive vers B (droite à partir de l'arrière du bateau).



- 1. Dérive

ENON00022-A

Remarques

- Après le réglage, serrez fermement le boulon de fixation de la dérive.
- Contrôlez régulièrement le serrage du boulon et de la dérive.

INSPECTION ET MAINTENANCE

ENOM00077-0

Entretien du moteur hors-bord

Pour maintenir votre moteur hors-bord dans les meilleures conditions de fonctionnement, il est impératif que vous effectuiez une maintenance quotidienne et périodique, conformément au calendrier d'entretien ci-après.

ENOW00077-0



CONSEIL DE PRUDENCE

- **Votre sécurité personnelle et celle de vos passagers dépendent de la manière dont vous entretenez votre moteur hors-bord. Suivez attentivement toutes les procédures d'inspection et de maintenance décrites dans ce chapitre.**
 - **Les intervalles de maintenance spécifiés dans la liste de contrôle s'appliquent à un moteur hors-bord exploité dans des conditions normales. Si vous utilisez fréquemment votre moteur hors-bord à plein régime, dans des eaux saumâtres ou à des fins commerciales, sa maintenance doit être effectuée à des intervalles plus courts. N'hésitez pas à demander conseil à votre distributeur en cas de doute.**
 - **Nous recommandons vivement de n'utiliser que des pièces de rechange d'origine sur votre moteur hors-bord. Tout dommage occasionné à votre moteur hors-bord découlant de l'utilisation de pièces de rechange autres que celles d'origine n'est pas couvert par la garantie.**
-

ENOM00079-0

1. Inspection quotidienne

Effectuez les contrôles suivants avant et après chaque utilisation du moteur.

ENOW00078-1

AVERTISSEMENT

N'utilisez en aucun cas le moteur hors-bord sur lequel la moindre anomalie a été détectée lors du contrôle avant la mise en marche afin d'éviter tout risque d'endommagement sérieux du moteur ou tout préjudice corporel grave.

Élément	Points à contrôler	Remède
Système d'alimentation	<ul style="list-style-type: none"> · Contrôlez le niveau de carburant dans le réservoir. · Vérifiez que le filtre à carburant ne contienne ni débris ni eau. · Vérifiez que les tuyaux en caoutchouc ne présentent aucun signe de fuite de carburant. 	<p>Remplissez le réservoir Nettoyez-les ou remplacez-les, si nécessaire.</p> <p>Remplacez-les, si nécessaire.</p>
Bouchon du réservoir à carburant	<ul style="list-style-type: none"> · Vérifiez que le bouchon du réservoir à carburant ne présente aucune fente ni aucun signe de fuite ou d'endommagement. · Vérifiez que le joint ne présente aucune fente ni aucun signe d'endommagement. · Vérifiez que le bouchon ne présente aucune fuite lorsqu'il est complètement fermé. · Contrôlez l'efficacité du cliquet. 	<p>Remplacez-les, si nécessaire.</p> <p>Remplacez-les, si nécessaire.</p> <p>Remplacez-les, si nécessaire.</p> <p>Remplacez-les, si nécessaire.</p>
Huile moteur	<ul style="list-style-type: none"> · Vérifier le niveau d'huile. 	Ajoutez de l'huile
Équipement électrique	<ul style="list-style-type: none"> · Contrôlez que l'interrupteur principal fonctionne normalement. · Vérifiez si le niveau d'électrolyte et la densité de la batterie sont corrects. · Vérifiez que les connexions aux bornes de la batterie ne sont pas desserrées. · Vérifiez que les fonctions d'arrêt d'urgence fonctionnent normalement et assurez-vous que le mécanisme de verrouillage de l'interrupteur d'arrêt est bien en place. · Vérifiez que les câbles sont bien connectés et qu'ils ne présentent aucun endommagement. · Vérifiez que les bougies d'allumage ne sont pas empoussiérées ni ne présentent de signe d'usure ou de calaminage. · Vérifiez l'avertisseur sonore (un bip) et la lampe témoin DEL (allumée de 5 à 7 secondes) lors du démarrage. 	<p>Remplacez-les, si nécessaire.</p> <p>Remplissez ou rechargez-la</p> <p>Resserrez les boulons et écrous.</p> <p>Réparez-le ou remplacez-le, si nécessaire.</p> <p>Corrigez l'erreur ou remplacez-les, si nécessaire.</p> <p>Nettoyez-les ou remplacez-les, si nécessaire.</p> <p>Réparez-la</p>

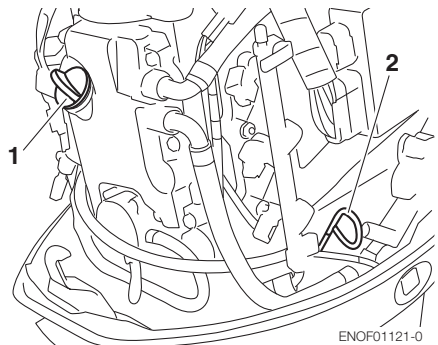
Élément	Points à contrôler	Remède
Lanceur à rappel	<ul style="list-style-type: none"> · Vérifiez si la corde ne présente pas de signe d'usure et d'endommagement. · Contrôlez l'engagement du cliquet. 	<p>Remplacez-les, si nécessaire.</p> <p>Remplacez-les, si nécessaire.</p>
Embrayage et système d'hélice	<ul style="list-style-type: none"> · Vérifiez que l'embrayage s'engage correctement quand vous utilisez le levier inverseur. · Contrôlez visuellement si les pales de l'hélice ne sont pas tordues ou endommagées. · Vérifiez le serrage de l'écrou de l'hélice et la présence de la goupille d'arrêt. 	<p>Réglez-le</p> <p>Remplacez-les, si nécessaire.</p> <p>Resserrez-les ou remplacez-les</p>
Installation du moteur	<ul style="list-style-type: none"> · Vérifiez tous les boulons de fixation du moteur sur le bateau. · Vérifiez l'installation de la tige de butée. 	<p>Resserrez-les</p> <p>Remplacez-les, si nécessaire.</p>
Dispositif de relevage	<ul style="list-style-type: none"> · Contrôlez le fonctionnement du relevage et de l'abaissement du moteur. 	Réparez-la
Eau de refroidissement	<ul style="list-style-type: none"> · Vérifiez que l'eau de refroidissement s'évacue de l'orifice de contrôle après le démarrage du moteur. 	Réparez-la
Outils et pièces détachés	<ul style="list-style-type: none"> · Vérifiez que vous avez sous la main les outils et pièces détachés nécessaires au remplacement des bougies d'allumage, de l'hélice, etc. · Contrôlez si vous disposez d'une corde et d'un mécanisme de verrouillage de l'interrupteur d'arrêt de recharge. 	<p>Commandez-les</p> <p>Commandez-les</p>
Éléments de direction	<ul style="list-style-type: none"> · Contrôlez le fonctionnement de la barre de direction. 	Réparez-la
Autres pièces	<ul style="list-style-type: none"> · Vérifiez que l'anode est correctement installée. · Vérifiez que l'anode ne présente aucune déformation ni aucun signe de corrosion. 	<p>Réparez-la, le cas échéant</p> <p>Remplacez-la</p>

ENOM00081-A

Contrôle du niveau d'huile

Si le niveau d'huile moteur est trop bas ou trop haut, la durée de vie du moteur sera considérablement réduite.

1. Arrêtez le moteur et positionnez-le à la verticale.
2. Enlevez le capot supérieur.
3. Retirez la jauge d'huile 5 minutes après que le moteur se soit arrêté.
4. Essuyez l'huile de la jauge avec un chiffon propre.
5. Introduisez la jauge d'huile.
6. Retirez la jauge et contrôlez le niveau d'huile.
7. Remplacez la jauge d'huile.



ENOF01121-0

1. Bouchon de remplissage
2. Jauge d'huile



ENOF00081-0

1. Repère supérieur 1800 mL
2. Repère inférieur 1600 mL

ENON00024-0

Remarque

Le niveau d'huile doit être contrôlé lorsque le moteur est froid.

ENON00025-0

Remarque

Consultez un distributeur agréé si l'huile moteur présente une coloration laiteuse ou semble contaminée.

ENOM00082-A

Mise à niveau de l'huile moteur

ENOW00079-A



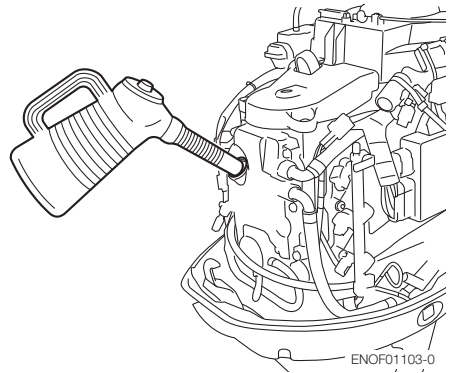
CONSEIL DE PRUDENCE

- **N'ajoutez pas de l'huile moteur d'une marque et d'une qualité autres que celles recommandées. En cas d'ajout d'huile moteur d'une marque différente ou d'une autre qualité, vidangez toute l'huile et demandez à votre distributeur ce qu'il convient de faire.**
- **Au cas où toute substance autre que de l'huile moteur (essence par exemple) est introduite dans la chambre de lubrification, videz-la et demandez à votre distributeur ce qu'il convient de faire.**
- **Lors du remplissage d'huile moteur, faites attention à n'introduire aucun corps étranger, tel que de la poussière**

ou de l'eau, dans la chambre de lubrification.

- **Essuyez immédiatement et correctement toute trace d'huile moteur après un renversement et mettez-la au rebut conformément aux réglementations locales en matière de prévention des incendies et de protection de l'environnement.**
- **Lors du remplissage, ne dépassez pas la limite supérieure du niveau d'huile. En cas de remplissage excessif, retirez l'huile dépassant la limite supérieure. Si l'huile moteur dépasse la limite supérieure, ceci peut occasionner des fuites conduisant éventuellement à un endommagement du moteur.**

Si le niveau d'huile est faible ou au niveau du repère inférieur, ajoutez de l'huile recommandée jusqu'au repère supérieur de la jauge.



ENOF01103-0

ENOM00083-B

Nettoyage du moteur hors-bord

ENOW00081-0



AVERTISSEMENT

Ne lancez jamais le moteur sans avoir démonté l'hélice pour prévenir tout risque de lésion corporelle résultant d'une mise en service accidentelle.

ENOW00082-0

AVERTISSEMENT

Ne démarrez ni ne faites fonctionner le moteur à l'intérieur ou dans tout espace incorrectement ventilé. Les gaz d'échappement contiennent du monoxyde de carbone, un gaz incolore et inodore qui peut être mortel lorsqu'il est inhalé sur une certaine durée.

ENOW00920-0

CONSEIL DE PRUDENCE

Lors du nettoyage du moteur hors-bord, faites attention de ne pas pulvériser de l'eau à l'intérieur du capot supérieur, et plus particulièrement sur les composants électriques.

ENON00026-0

Remarque

Il est recommandé de vérifier les propriétés chimiques de l'eau dans laquelle le moteur hors-bord est régulièrement utilisé.

Si le moteur hors-bord est utilisé dans des eaux salées, dans des eaux saumâtres ou des eaux avec un taux d'acidité élevé, utilisez de l'eau douce pour éliminer le sel, les produits chimiques ou la boue. Et rincez le canal d'eau de refroidissement après chaque navigation ou avant d'entreposer le moteur hors-bord pendant une longue période. Avant le rinçage, retirez l'hélice et le support de butée avant.

ENOM00085-A

Accessoire de rinçage

ENOW00921-0

CONSEIL DE PRUDENCE

Ne faites pas tourner le moteur hors-bord lorsque vous le rincez avec l'accessoire de

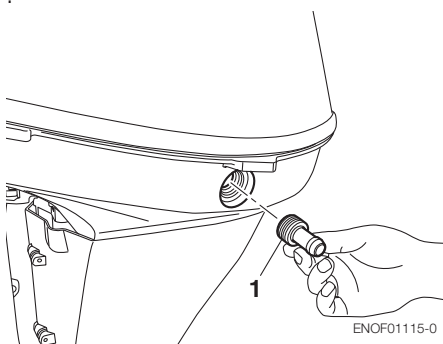
rinçage afin d'éviter tout endommagement du moteur.

ENOW00922-0

CONSEIL DE PRUDENCE

Pour empêcher le démarrage du moteur lorsque vous vous trouvez à proximité de l'hélice, il convient de retirer le mécanisme de verrouillage de l'interrupteur d'arrêt.

1. Abaissez le moteur hors-bord.
2. Retirez le bouchon du raccord de rinçage du moteur hors-bord et vissez-y l'accessoire de rinçage.
3. Connecter un tuyau d'eau. Ouvrez l'eau et ajustez le flux.
Poursuivre la purge du moteur hors-bord pendant 3 à 5 minutes
4. Après le rinçage, veillez à replacer le bouchon du raccord de rinçage.
5. Relevez le moteur hors-bord.



1. Accessoire de rinçage

ENOF01115-0

ENOM00085-A

Purge du réservoir

ENOW00081-0

AVERTISSEMENT

Ne lancez jamais le moteur sans avoir démonté l'hélice pour prévenir tout risque de lésion corporelle résultant d'une mise en service accidentelle.

ENOW00082-0

AVERTISSEMENT

Ne démarrez ni ne faites fonctionner le moteur à l'intérieur ou dans tout espace incorrectement ventilé. Les gaz d'échappement contiennent du monoxyde de carbone, un gaz incolore et inodore qui peut être mortel lorsqu'il est inhalé sur une certaine durée.

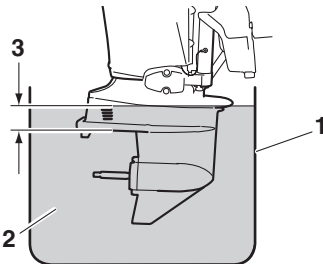
ENOW00036-A

CONSEIL DE PRUDENCE

Pour éviter toute surchauffe et tout endommagement de la pompe à eau lors du démarrage du moteur dans le réservoir de jaugeage, veillez à ce que le niveau d'eau soit au minimum à 10 cm (4 in) au-dessus de la plaque anti-cavitation.

Veillez également à retirer l'hélice lors du démarrage du moteur dans le réservoir de jaugeage (Voir page 78)

Faire tourner le moteur uniquement en régime ralenti.



ENOF00863-0

1. Réservoir de jaugeage

2. Eau
3. Au moins 10 cm (4 in)

ENOM00950-0

Remplacement d'un fusible

ENOW00923-0

CONSEIL DE PRUDENCE

Avant de remplacer un fusible, il faut débrancher le câble de batterie de la borne négative (-). Dans le cas contraire, un court-circuit pourrait se produire.

ENOW00924-0

CONSEIL DE PRUDENCE

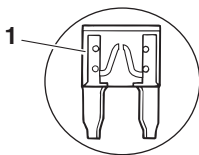
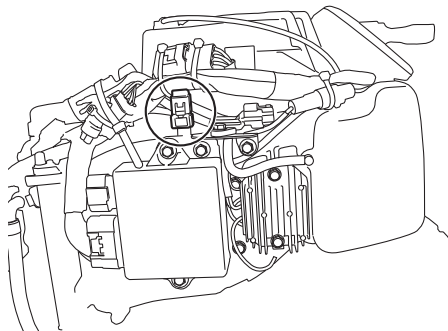
N'utilisez jamais un fusible dont l'ampérage est supérieur à celui spécifié afin de prévenir tout endommagement sérieux du système électrique.

En cas de détection d'un fusible grillé, essayez d'en déterminer la cause et corrigez l'erreur. Si la cause ou problème n'est pas corrigée, il est plus que probable que le fusible grillera à nouveau.

Si le fusible grille sans arrêt, demandez à un distributeur Tohatsu agréé d'inspecter le moteur hors-bord.

1. Arrêtez le moteur et débranchez le câble de batterie de la borne négative (-).
2. Retirez le capot du moteur.
3. Retirez le couvercle du coffret à fusibles.

4. Retirez le fusible et contrôlez-le. S'il est grillé, remplacez-le par un fusible de même ampérage. Le moteur hors-bord dispose de fusibles de rechange dans le porte-fusible de réserve.



ENOF01122-0

1. Fusible grillé

ENOM00090-0

2. Inspections périodiques

Il est important d'inspecter et d'entretenir régulièrement votre moteur hors-bord. Veillez à effectuer les opérations d'entretien indiquées aux intervalles spécifiés dans le tableau ci-dessous.

Les intervalles de maintenance sont déterminés selon le nombre d'heures ou de mois, en fonction de la situation qui se présente en premier.

Description		Intervalles d'inspection				Procédure d'inspection	Remarques
		Premières 20 heures ou 1 mois	Chaque 50 heures ou 3 mois	Chaque 100 heures ou 6 mois	Chaque 200 heures ou 1 année		
Système d'alimentation	Filtre à carburant haute pression*1					Remplacez toutes les 200 heures ou tous les 2 ans.	
	Filtre à carburant	•	•			Vérifiez et nettoyez, ou remplacez si nécessaire. (Voir page 76)	
	Tuyaux	•	•			Vérifiez et nettoyez, ou remplacez si nécessaire.	
	Réservoir à carburant	•		•		Nettoyer (voir page 75)	
	Bouchon du réservoir à carburant	•	•			Vérifiez et nettoyez, ou remplacez si nécessaire.	
	Pompe à carburant*1	•	•			Vérifiez et nettoyez, ou remplacez si nécessaire.	
Allumage	Bougie d'allumage	•		•		Contrôlez les écarts. Retirez les dépôts de carbone ou remplacez si nécessaire. (Voir page 79)	0,8-0,9 mm (0.031-0.035 in)
Système de démarrage	Corde du lanceur	•	•			Contrôlez l'usure ou l'endommagement.	
	Moteur du démarreur*1			•		Contrôlez la présence de dépôts de sels et l'état des câbles de batterie.	
	Batterie	•	•			Contrôlez l'installation, la quantité de liquide et la densité.	
Moteur	Huile moteur	Remplacez-la •		Remplacez-la •		Remplacement (Voir page 67)	1 800 ml (63.3 fl.oz.)
	Filtre à huile*1					Remplacez toutes les 200 heures ou tous les 2 ans (voir page 74)	Cartouche entière
	Espacement de valve*1	•		•		Contrôlez et réglez.	IN : 0.13-0.17 mm (0.0051-0.0067 in) EX: 0.18-0.22 mm (0.0071-0.0087 in)
	Courroie de synchronisation*1			•		Vérifiez et remplacez si nécessaire.	
	Pression de compression *1				•	Vérifier et remplacer si nécessaire.	
	Filtre à air*1					Remplacez toutes les 200 heures ou tous les 2 ans.	
	Chambre à combustion *1					Nettoyer toutes les 200 heures ou tous les 2 ans.	
	Thermostat*1			•		Vérifiez et remplacez si nécessaire.	

Description		Intervalles d'inspection				Procédure d'inspection	Remarques
		Premières 20 heures ou 1 mois	Chaque 50 heures ou 3 mois	Chaque 100 heures ou 6 mois	Chaque 200 heures ou 1 année		
Bloc de propulsion	Hélice	●	●			Vérifiez si les pales sont tordues, endommagées ou usées. Remplacez si nécessaire. (Voir page 78)	
	Huile pour embase	Remplacez-la ●	●	Remplacez-la ●		Changez l'huile ou mettez à niveau et vérifiez s'il y a des fuites d'eau (Voir page 77)	360 mL (12.2 fl.oz.)
	Prise d'eau de refroidissement	●	●			Vérifier les obstructions	
	Pompe à eau*1		●		Remplacez-la ●	Contrôlez l'usure ou l'endommagement et remplacez, si nécessaire.	Remplacez le rotor tous les 12 mois
Relevage assisté *1		●		●		Contrôlez l'huile et mettez à niveau si nécessaire, faites-le fonctionner manuellement.	
Système de mise en garde*1			●			Contrôlez son fonctionnement.	
Boulonnerie		●	●			Resserrez les boulons et écrous.	
Câble d'accélérateur				●			
Câble de la commande à distance			●				
Pièces coulissantes et rotatives - Têtes de graisseurs		●	●			Appliquez et injectez de la graisse. (Voir page 84)	
Parties externes de l'équipement		●	●			Vérifiez les signes de corrosion.	
Anode				●		Vérifiez les signes de corrosion et de déformation.	Remplacez si nécessaire.

*1: À faire par votre distributeur.

ENON00030-0

Remarque

Votre moteur hors-bord doit faire l'objet d'une inspection minutieuse et complète toutes les 300 heures. C'est le moment idéal pour suivre les principales procédures de maintenance.

10

ENOM00091-A

Remplacement d'huile de moteur

ENOW00091-0

CONSEIL DE PRUDENCE

Si vous remplissez le moteur d'huile juste après l'arrêt de celui-ci, vous courez un risque de blessure en raison de la température élevée du moteur. Le changement d'huile moteur doit être effectué lorsque celui-ci est froid.

ENOW00092-A

CONSEIL DE PRUDENCE

- N'ajoutez pas trop d'huile afin d'éviter toute fuite d'huile et / ou tout endommagement du moteur. Si l'huile dépasse le repère supérieur de la jauge, vidangez l'huile excédentaire jusqu'à un niveau inférieur au repère supérieur.
- Assurez-vous que le moteur hors-bord se trouve à la verticale et en position correcte lors du contrôle ou du changement d'huile.

- Arrêtez immédiatement le moteur si la lampe témoin de basse pression d'huile s'allume ou si une fuite d'huile est détectée afin d'éviter tout endommagement sérieux du moteur. Consultez votre distributeur.
- Essuyez immédiatement et correctement toute trace d'huile moteur après un renversement et mettez-la au rebut conformément aux réglementations locales en matière de prévention des incendies et de protection de l'environnement.

ENOW00090-0

CONSEIL DE PRUDENCE

L'utilisation d'huiles pour moteurs ne répondant pas à ces exigences réduira la durée de vie du moteur et engendrera d'autres problèmes mécaniques.

ENOW00933-0

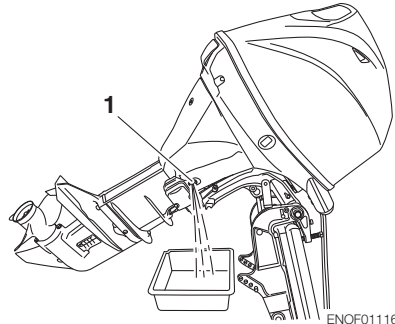
CONSEIL DE PRUDENCE

De la poussière ou de l'eau mélangée à l'huile moteur peut considérablement réduire la durée de vie du moteur.

Pour remplacer l'huile moteur :

Veillez à utiliser de l'huile moteur recommandée (voir page 13).

1. Arrêtez le moteur et laissez-le refroidir.
2. Relevez le moteur hors-bord et bloquez-le avec la butée de relevage.
3. Tournez le système de direction du moteur hors-bord de telle sorte que l'orifice de vidange soit orienté vers le bas.
4. Placez un récipient en-dessous de la vis de vidange d'huile.
5. Retirez la vis de vidange d'huile et laissez toute l'huile s'écouler du moteur.



ENOF01116-0

1. Orifice de vidange
6. Serrer la vis de purge de l'huile en appliquant de l'huile sur la surface de scellement de la vis. (Remplacez la rondelle du dispositif de vidange d'huile)

Couple de serrage de la vis de vidange d'huile

24N·m (17 ft·lb, 2.4 kgf·m)

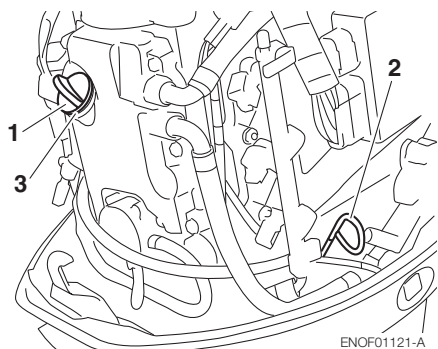
ENON00028-A

Remarque

Si aucune clé dynamométrique n'est disponible lors de la fixation d'une bougie d'allumage, il est possible d'approcher cette valeur de serrage en tournant la bougie à la main, puis en la serrant de 3/4 à 1 tour au-delà de ce premier serrage. Il faut, dès que possible, ajuster le filtre à huile au couple de serrage correct à l'aide d'une clé dynamométrique.

7. Repositionnez le moteur à la verticale.
8. Répétez deux à trois fois les étapes 3 à 7 pour vidanger complètement l'huile.
9. Retirez le capot supérieur et le bouchon de remplissage d'huile.
10. Remplissez le moteur d'huile recommandée (voir le tableau ci-après) via l'orifice de remplissage jusqu'à ce qu'elle atteigne le repère au milieu de la jauge.

11. Remplacez et resserrez le bouchon de remplissage d'huile.



1. Bouchon de remplissage
2. Jauge d'huile
3. Orifice de remplissage

ENOF01121-A

Volume d'huile nécessaire pour un remplissage complet	
Avec remplacement du filtre à huile	Sans remplacement du filtre à huile
1800 mL (63.3 fl. oz.)	1600 mL (56.3 fl. oz.)

ENOW00925-0

⚠ CONSEIL DE PRUDENCE

Essayez immédiatement et correctement toute trace d'huile moteur après un renversement et mettez-la au rebut conformément aux réglementations locales en matière de prévention des incendies et de protection de l'environnement.

ENON00031-0

Remarque

- Consultez immédiatement votre distributeur si l'huile moteur a une coloration laiteuse en raison d'une présence d'eau dans l'huile.
- Consultez également votre distributeur si l'huile moteur est contaminée avec de l'essence et dégage une forte odeur d'essence.
- Une légère dilution de l'huile est normale si le moteur fonctionne longtemps au ralenti ou est utilisé pour la pêche à la traîne pendant de longues périodes, et tout particulièrement en présence de températures plus froides de l'eau.

10

1. Repère supérieur (Max.)
2. Repère inférieur (Min.)

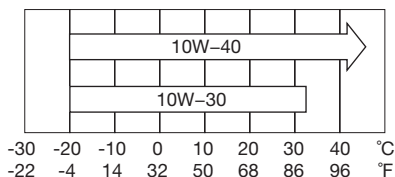


ENOF00113-0

ENON00920-0

Remarque

Utilisez uniquement de l'huile moteur recommandée (voir page 13)



ENOF00208-0

ENOM00092-A

Remplacement des filtres à huile

ENOW00091-0

⚠ CONSEIL DE PRUDENCE

Si vous remplissez le moteur d'huile juste après l'arrêt de celui-ci, vous courez un risque de blessure en raison de la température élevée du moteur. Le

changement d'huile moteur doit être effectué lorsque celui-ci est froid.

ENOW00926-0

⚠ CONSEIL DE PRUDENCE

Essuyez immédiatement et correctement toute trace d'huile moteur après un renversement et mettez-la au rebut conformément aux réglementations locales en matière de prévention des incendies et de protection de l'environnement.

1. Vidangez l'huile du moteur.
2. Déposez un chiffon ou une serviette sous le filtre à huile pour absorber toute huile déversée.
3. Dévissez le filtre utilisé en le tournant dans le sens anti-horaire.
4. Nettoyez l'assise de montage. Appliquez un film d'huile propre sur le joint torique.

N'utilisez jamais de graisse.

Posez le filtre à huile et resserrez-le au couple spécifié à l'aide de la clé pour filtres à huile.

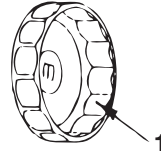
Couple de serrage du filtre à huile :

18 N·m (13 ft·lb, 1.8 kgf·m)

ENON00028-A

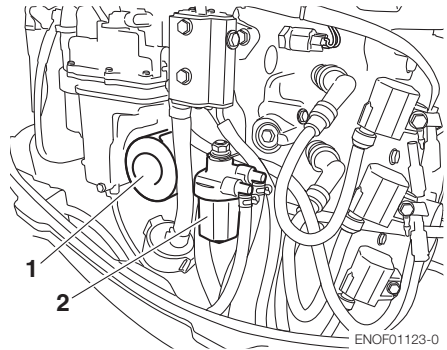
Remarque

Si aucune clé dynamométrique n'est disponible lors de la fixation d'une bougie d'allumage, il est possible d'approcher cette valeur de serrage en tournant la bougie à la main, puis en la serrant de 3/4 à 1 tour au-delà de ce premier serrage. Il faut, dès que possible, ajuster le filtre à huile au couple de serrage correct à l'aide d'une clé dynamométrique.



ENOF00094-0

1. Clé pour filtres à huile
P/N 3AC-99090-0
P/N 3AC99090M
(ÉTATS-UNIS ET CANADA uniquement)



ENOF01123-0

1. Filtre à huile
2. Filtre à carburant

ENOM00093-A

Nettoyage des filtres et du réservoir à carburant

ENOW00093-A

⚠ AVERTISSEMENT

L'essence et ses vapeurs sont des produits hautement inflammables aux propriétés explosives.

- N'entamez pas cette procédure alors que le moteur tourne ou qu'il est encore chaud après l'arrêt.
- Placez le filtre à carburant à bonne distance de toute source d'ignition, telle que des étincelles ou des flammes nues.
- Essuyez immédiatement et correctement toute trace d'huile pour

embase après un renversement et mettez-la au rebut conformément aux réglementations locales en matière de prévention des incendies et de protection de l'environnement.

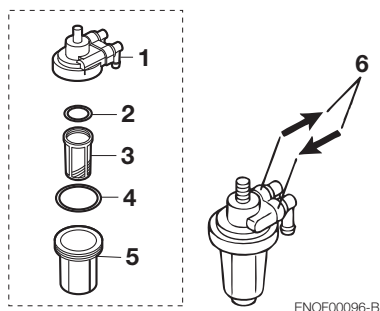
- **Assurez-vous que toutes les pièces du filtre à carburant sont correctement positionnées lors de son installation afin d'éviter toute fuite d'huile pouvant occasionner un incendie ou une explosion.**
- **Contrôlez régulièrement le système d'alimentation en carburant à la recherche de toute fuite éventuelle.**
- **Contactez votre distributeur autorisé pour l'entretien du système d'alimentation en carburant. Un entretien effectué par du personnel non qualifié pourrait conduire à un endommagement du moteur.**

Les filtres à carburant se trouvent à l'intérieur du réservoir de carburant et au niveau du moteur.

ENOM00094-0

10 Filtre à carburant (pour le moteur)

1. Vérifiez la présence d'eau et de corps étrangers dans la coupelle.



ENOF00096-B

1. Corps du filtre
2. Joint torique
3. Filtre
4. Joint torique

5. Coupelle
6. Flèche indiquant le sens du flux de carburant

2. Déconnectez les éventuels tuyaux du raccord de carburant (mâle) et de la pompe à carburant.
3. Retirez la coupelle, le filtre et les joints toriques du corps du filtre à carburant.
4. Contrôlez l'usure et l'encrassement de chaque pièce et remplacez-les, si nécessaire.
5. Enlevez le carburant, et toute trace d'eau ou corps étrangers de la coupelle, du filtre et des tuyaux.
6. Remontez toutes les pièces.

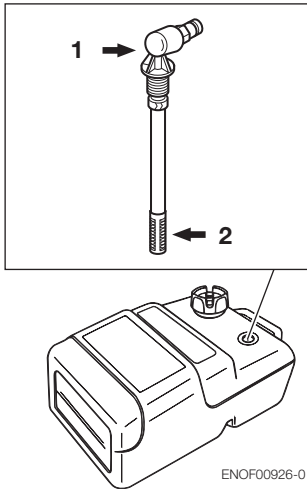
ENOM00096-A

Filtre à carburant (pour le réservoir à carburant)

La présence d'eau et / ou d'impuretés dans le réservoir à carburant nuit aux performances.

Vérifiez et nettoyez le réservoir aux intervalles spécifiés ou après l'entreposage du moteur pendant une longue période de temps (plus de trois mois).

1. Retirez le coude de prise de carburant du réservoir à carburant en le tournant dans le sens contraire des aiguilles d'une montre.
2. Nettoyez le filtre à carburant et vérifiez le joint torique. Remplacez si nécessaire.
3. Remontez toutes les pièces.



1. Tuyau d'alimentation d'arrivée
2. Filtre

ENOM00098-A

Changement de l'huile pour embase

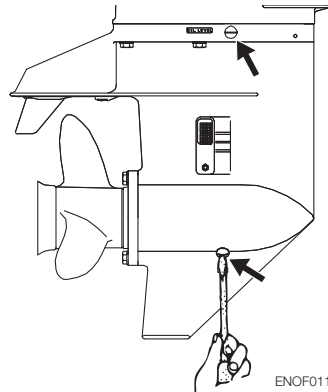
ENOW00094-0

AVERTISSEMENT

- Assurez-vous que le moteur hors-bord est solidement fixé au tableau arrière ou à un banc d'entretien pour éviter tout risque de chute accidentelle du moteur qui pourrait entraîner de sérieuses lésions corporelles.
- Veillez à verrouiller le moteur hors-bord lorsqu'il est relevé afin de prévenir tout risque de chute accidentelle de celui-ci pouvant entraîner de sérieux préjudices corporels.
- Ne passez pas en dessous d'un moteur hors-bord relevé et verrouillé parce que la chute accidentelle de celui-ci pourrait provoquer de graves lésions corporelles.

1. Abaissez le moteur hors-bord.

2. Retirez les bouchons d'huile (supérieur et inférieur) et laissez complètement s'écouler l'huile pour embase dans un récipient.



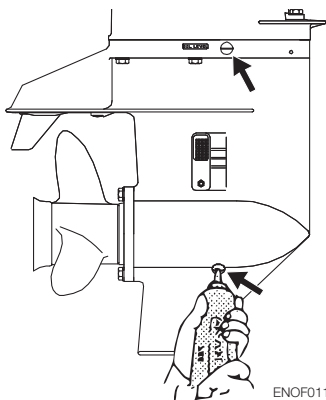
3. Introduisez l'injecteur du tube d'huile dans l'orifice du bouchon d'huile inférieur et remplissez le réservoir avec de l'huile pour embase en appuyant sur le tube jusqu'à ce que l'huile atteigne l'orifice du bouchon d'huile supérieur.

ENON00033-0

Remarque

Utilisez de l'huile pour embase d'origine ou une huile recommandée (API GL-5 : SAE #80 à #90).

Volume requis : environ 360 mL (11.8 fl.oz).



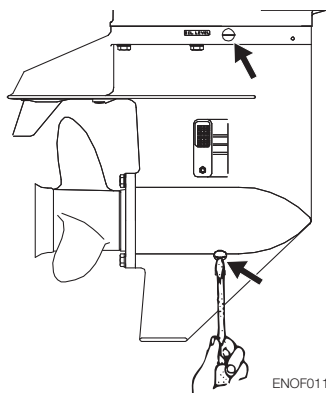
ENOF01132-0

4. Placez le bouchon d'huile supérieur, puis retirez l'injecteur du tube d'huile avant de replacer le bouchon d'huile inférieur.

ENOW00095-0

⚠ CONSEIL DE PRUDENCE

Ne réutilisez jamais le joint de bouchon d'huile. Utilisez toujours un nouveau joint et serrez correctement le bouchon d'huile pour prévenir toute pénétration d'eau dans l'embase.



ENOF01133-0

ENOW00928-0

⚠ CONSEIL DE PRUDENCE

Essuyez immédiatement et correctement toute trace d'huile pour embase après un renversement et mettez-la au rebut conformément aux réglementations locales en matière de prévention des incendies et de protection de l'environnement.

ENON00032-0

Remarque

L'huile prendra une coloration laiteuse si elle contient de l'eau. Veuillez contacter votre distributeur.

ENON00033-0

Remarque

Utilisez de l'huile pour embase d'origine ou une huile recommandée (API GL-5 : SAE #80 à #90).

Volume requis : environ 360 mL (11.8 fl.oz).

ENOM00086-A

Changement d'hélice

ENOW00084-0

⚠ AVERTISSEMENT

- Ne procédez jamais au démontage ni à l'installation de l'hélice alors que les capuchons des bougies d'allumage sont en place, que la marche avant ou arrière est engagée, que l'interrupteur principal se trouve sur toute autre position que **·OFF·**(arrêt), que le cadenas est fixé sur l'interrupteur d'arrêt du moteur et que la clé de contact est introduite pour éviter toute mise en marche accidentelle du moteur pouvant entraîner de sérieuses lésions corporelles. Déconnectez, si possible, les câbles de la batterie.
- Le bord de l'hélice est acéré. Portez des gants de protection lors du remplacement afin de vous protéger les mains.

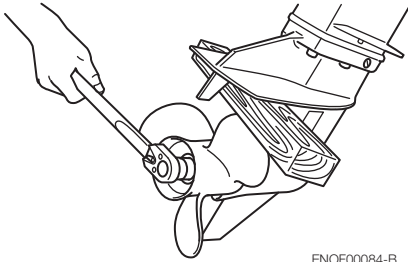
ENOW00086-0

⚠️ CONSEIL DE PRUDENCE

- Pour éviter tout endommagement du moyeu de l'hélice, n'installez jamais celle-ci sans fixer le support de butée.
- Ne réutilisez jamais une goupille d'arrêt.
- Après avoir installé la goupille d'arrêt, dépliez-la pour l'empêcher de tomber, ce qui pourrait entraîner le détachement de l'hélice pendant le fonctionnement.

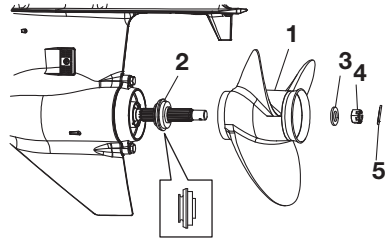
Une hélice usée ou tordue réduit les performances du moteur et peut occasionner des problèmes mécaniques.

1. Maintenez-la en plaçant un bloc de bois entre les pales de l'hélice et la plaque anti-cavitation.



ENOF00084-B

2. Retirez la goupille d'arrêt, l'écrou et la rondelle de l'hélice.
3. Retirez l'hélice et le support de butée.
4. Enduisez l'arbre de l'hélice de graisse résistante à l'eau avant d'installer la nouvelle hélice.
5. Installez le support de butée, l'hélice, la rondelle et l'écrou d'hélice sur l'arbre.



ENOF00084-C

1. Hélice
 2. Support de butée
 3. Rondelle
 4. Écrou d'hélice
 5. Goupille d'arrêt
6. Serrez l'écrou d'hélice au couple indiqué, puis alignez l'une des rainures sur l'orifice de la tige de l'arbre de l'hélice.

Couple de serrage de l'écrou d'hélice :
25 N·m (18 ft·lb, 2.5kgf·m)

7. Installez une nouvelle goupille d'arrêt dans le trou de l'écrou et tordez-la.



ENOF00084-D

ENOM00087-A

Changement des bougies d'allumage

ENOW00087-0

⚠️ AVERTISSEMENT

- Ne réutilisez pas une bougie d'allumage si son isolant est endommagé pour éviter que des étincelles ne fument au travers des fentes. Elles pourraient provoquer un choc électrique, une explosion et / ou un incendie.
- En raison de la température élevée des bougies d'allumage et du risque de brûlure, ne les touchez pas

**immédiatement après l'arrêt du moteur.
Laissez d'abord refroidir le moteur.**

ENOW00929-0

⚠ CONSEIL DE PRUDENCE

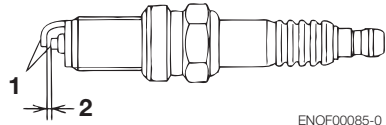
Utilisez uniquement des bougies s'allumage recommandées. L'utilisation de bougies d'allumage d'un degré thermique différent peut endommager le moteur.

Remplacez toute bougie d'allumage encrassée, calaminée ou usée.

Lors de la réutilisation de bougies d'allumage, enlevez toute saleté des électrodes et réajustez leur écartement à la distance spécifiée.

1. Arrêtez le moteur.
2. Enlevez le capot supérieur.
3. Retirez les capuchons des bougies d'allumage.
4. Retirez les bougies d'allumage en les tournant dans le sens inverse des aiguilles d'une montre à l'aide d'une clé à douille de 5/8" (16 mm) et de la poignée fournie avec la boîte à outils.
5. Inspectez les bougies d'allumage. Remplacez toute bougie d'allumage dont les électrodes sont usées ou dont la garniture isolante est fissurée ou écaillée.
6. Mesurez l'écartement des électrodes de bougie avec une jauge d'épaisseur. L'écartement doit être de 0.8-0.9 mm (0.031-0.035 in). Si l'écartement diffère, remplacez la bougie d'allumage.

Utilisez des bougies d'allumage de type NGK DCPR-6E.



ENOF00085-0

1. Électrode
 2. Écartement des électrodes de bougie (0.8-0.9 mm, 0.031-0.035 in)
7. Placez la bougie d'allumage à la main et vissez-la délicatement pour éviter toute déformation du filetage.
 8. Serrez la bougie d'allumage au couple spécifié.

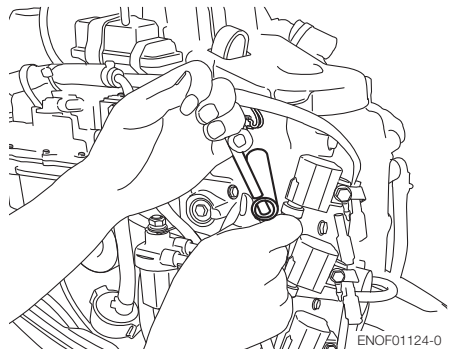
ENON00028-0

Remarque

● **Couple de serrage des bougies d'allumage :**

18.0 N·m (13.3 ft·lb) [1.84 kgf·m]

Si aucune clé dynamométrique n'est disponible lors de la fixation d'une bougie d'allumage, il est possible d'approcher cette valeur de serrage en tournant la bougie à la main, puis en la serrant de 1/4 à 1/2 tour au-delà de ce premier serrage. Il faut, dès que possible, ajuster la bougie au couple de serrage correct à l'aide d'une clé dynamométrique.



ENOF01124-0

ENOM00088-A

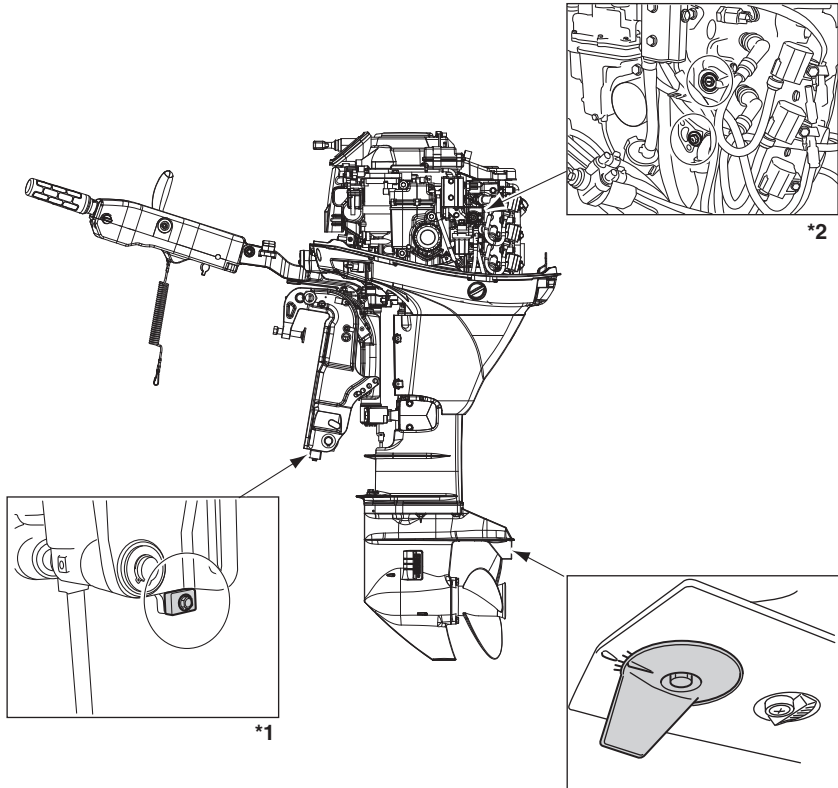
Remplacement de l'anode

Une anode consommable protège le moteur hors-bord de la corrosion électrolytique. L'anode est située sur l'embase, le cylindre, etc. Quand l'anode est érodée à plus de 1/3 de la taille initiale, remplacez-la.

ENON00029-0

Remarques

- Ne graissez ni ne peignez jamais l'anode.
- À chaque inspection, resserrez le boulon de fixation de l'anode, car il pourrait être soumis à la corrosion électrolytique.



ENOF01125-0

*1 : Des deux côtés

*2 : Retirer le filtre à huile pour accéder à l'anode.

ENOM00089-B

Contrôle de l'huile du dispositif de relevage

ENOW00088-0



AVERTISSEMENT

- Assurez-vous que le moteur hors-bord est solidement fixé au tableau arrière ou à un banc d'entretien pour éviter tout risque de chute accidentelle du moteur qui pourrait entraîner de sérieuses lésions corporelles.
- Veillez à verrouiller le moteur hors-bord lorsqu'il est relevé afin de prévenir tout risque de chute accidentelle de celui-ci pouvant entraîner de sérieux préjudices corporels.
- Ne passez pas en dessous d'un moteur hors-bord relevé et verrouillé parce que la chute accidentelle de celui-ci pourrait provoquer de graves lésions corporelles.

ENOW00089-A

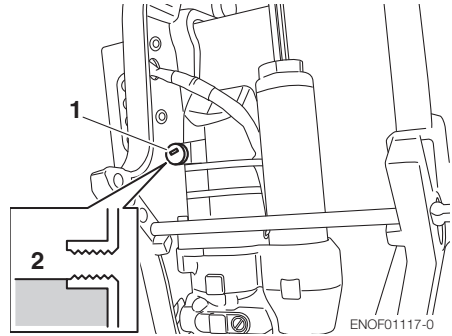


CONSEIL DE PRUDENCE

Ne dévissez pas le bouchon d'huile avec le moteur hors-bord abaissé. L'huile sous pression contenue dans le réservoir pourrait gicler.

Vérifiez le niveau d'huile dans le réservoir alors que celui-ci est en position verticale.

1. Relevez le moteur hors-bord et bloquez-le avec la butée de relevage.
2. Dévissez et retirez le bouchon d'huile, puis vérifiez si le niveau d'huile atteint le repère inférieur de l'orifice du bouchon.



1. Bouchon d'huile
2. Niveau d'huile

Huile recommandée

Utilisez un fluide pour transmission automatique ou similaire.

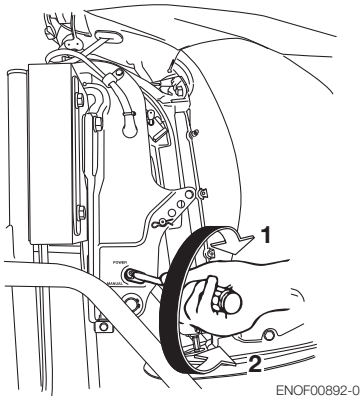
Les huiles recommandées sont reprises ci-dessous.

ATF Dexron III

Purgez l'air du dispositif d'inclinaison et de relevage.

L'air emprisonné dans le dispositif de relevage pourrait affecter négativement tout mouvement d'inclinaison et augmenter le bruit.

1. Avec le moteur hors-bord fixé sur le bateau, positionnez la valve de vidange manuelle sur Manuel et relevez / abaissez 5 ou 6 fois le moteur à la main tout en contrôlant le niveau d'huile.
2. Une fois cette opération réalisée, fermez la valve en la tournant dans le sens des aiguilles d'une montre vers Électrique.



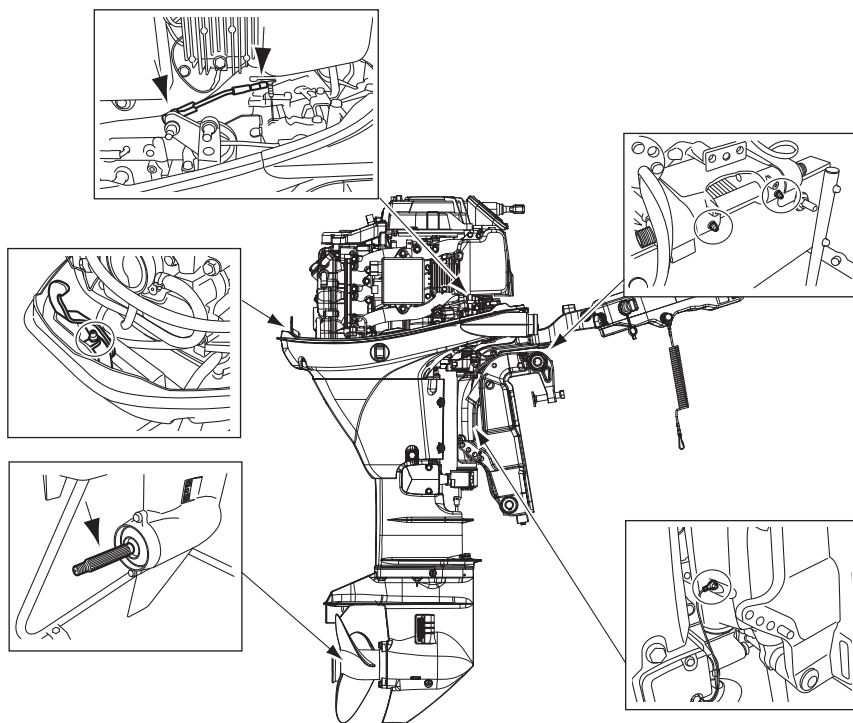
- 1. ÉLECTRIQUE
- 2. MANUEL

ENOF00892-0

ENOM00960-0

Point de graissage

Appliquez de la graisse hydrofuge sur les pièces illustrées ci-dessous.



ENOM00100-A

3. Hivernage

ENOW00934-0



AVERTISSEMENT

- **N'oubliez pas de débrancher le raccord de carburant lorsque le moteur n'est pas en fonctionnement.**
- **Toute fuite de carburant représente un risque d'incendie ou d'explosion pouvant entraîner des lésions corporelles graves, voire mortelles.**

ENOW00097-0



AVERTISSEMENT

Utilisez un chiffon pour éliminer toute trace de carburant dans le capot et jetez-le conformément à la législation locale en matière de prévention des incendies et de protection de l'environnement.

ENOW00096-0



CONSEIL DE PRUDENCE

Avant de procéder à la maintenance du moteur pour le remisage :

- **Retirez les câbles de la batterie.**
- **Retirez les capuchons des bougies d'allumage.**
- **Ne faites pas fonctionner le moteur en dehors de l'eau.**

Profitez du remisage de votre moteur hors-bord pour procéder à son entretien ou le faire réviser et préparer par votre distributeur.

Avant le remisage, faites fonctionner le moteur avec un stabilisateur de carburant. (Voir page 86)

ENOM00101-A

Moteur

1. Nettoyez l'extérieur du moteur et rincez bien le système de refroidissement d'eau à l'eau douce. Laissez toute l'eau s'écouler. Essuyez toute trace d'eau en surface à l'aide d'un chiffon imbibé d'huile.
2. Débranchez le tuyau de carburant du moteur hors-bord.
3. Purgez tous les tuyaux d'alimentation en carburant, la pompe à carburant, le filtre à carburant (voir page 76) et le séparateur de vapeur (voir page 87), avant de nettoyer ces pièces.
N'oubliez pas que la stagnation d'essence dans le séparateur de vapeur pendant une période prolongée peut entraîner la formation de gomme et de vernis, à l'origine d'un éventuel blocage du pointeau et une réduction de l'écoulement du carburant.
4. Retirez les bougies d'allumage et versez une cuillerée à café d'huile moteur ou vaporisez de l'huile de stockage dans la chambre de combustion par les trous de bougie.
5. Lancez plusieurs fois le démarreur pour lubrifier l'intérieur du cylindre.

ENOW00930-0



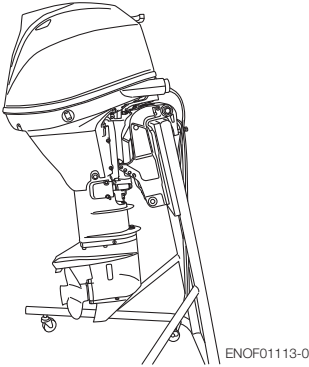
AVERTISSEMENT

- **Veillez à retirer le mécanisme de verrouillage de l'interrupteur d'arrêt pour prévenir l'allumage des bougies.**
- **Nettoyez toute trace d'huile moteur déversée dans les trous de bougie à l'aide d'un chiffon avant le démarrage du moteur hors-bord.**

6. Changez l'huile moteur (voir page 72).

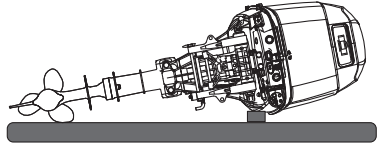
7. Changez l'huile pour embase dans l'embase (voir page 77).
8. Appliquer la graisse au point de graissage (voir page 84).
9. Positionnez le moteur hors-bord à la verticale dans un endroit sec.

ENOW00066-0



moteur avant de le poser sur un coussin comme le montre l'illustration ci-dessous (voir pages 60 et 86).

- Soulevez le bloc moteur de 2 à 4 pouces (5 à 10 cm) en cas de déplacement pour éviter toute fuite d'huile.



ENOM00950-0

Ajout d'un stabilisateur de carburant

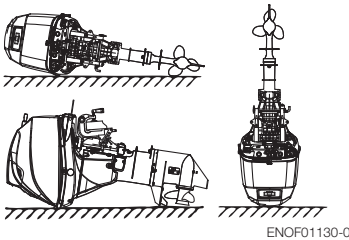
Lorsque vous ajoutez un stabilisateur de carburant (disponible dans le commerce), il convient de remplir d'abord le réservoir avec du combustible neuf. Si le réservoir à carburant est seulement partiellement rempli, l'air contenu dans le réservoir peut détériorer le carburant pendant l'entreposage.

1. Avant l'ajout d'un stabilisateur de carburant, purgez le séparateur de vapeur (voir page 87).
2. Suivez les instructions mentionnées sur l'étiquette lors de l'ajout du stabilisateur de carburant.
3. Après avoir ajouté le stabilisateur, faites tourner le moteur hors-bord dans l'eau pendant 10 minutes pour vous assurer que le carburant présent dans le système d'alimentation a été entièrement remplacé par du carburant contenant le stabilisateur.
4. Arrêtez ensuite le moteur.

⚠ CONSEIL DE PRUDENCE

Ne transportez ni n'entrezposez le moteur hors-bord dans une position comme celle décrite ci-dessous.

Sinon, toute fuite d'huile pourrait endommager le moteur ou des biens à proximité.



ENON00021-A

Remarque

- Si le moteur hors-bord doit être couché, veillez à vidanger le carburant et l'huile

ENON00891-0

Remarque

Si vous utilisez le moteur de temps à autre, il est recommandé d'utiliser un bon stabilisateur de carburant et de maintenir le réservoir rempli pour limiter la condensation et l'évaporation.

ENOM00970-0

Purge du système de carburant

ENOW00028-A

**AVERTISSEMENT**

Pour toute information relative à la manipulation du carburant, veuillez contacter un distributeur agréé.

Le carburant et ses vapeurs sont des produits hautement inflammables aux propriétés explosives.

- **En cas de déversement de carburant, essayez-le immédiatement.**
- **Maintenez le réservoir à carburant à bonne distance de toute source d'ignition, telle que des étincelles ou des flammes nues.**
- **Effectuez toutes les opérations en plein air ou dans un espace bien ventilé.**

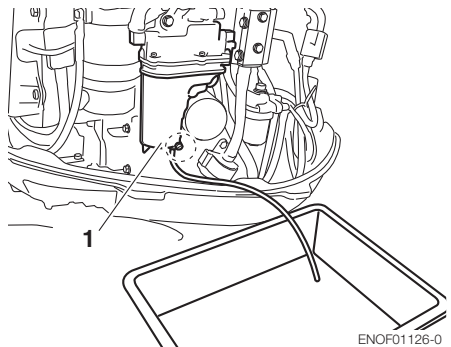
ENOW00097-0

**AVERTISSEMENT**

Utilisez un chiffon pour éliminer toute trace de carburant dans le capot et jetez-le conformément à la législation locale en matière de prévention des incendies et de protection de l'environnement.

1. Débranchez le tuyau de carburant du moteur hors-bord.
2. Enlevez le capot supérieur.

3. Retirez le drain de vidange de l'étrier et extrayez-le du capot inférieur. Placez un conteneur à carburant homologué sous le drain de vidange et utilisez un entonnoir pour éviter tout déversement de carburant.
4. Desserrez la vis de vidange du séparateur de vapeur.
5. Relevez le moteur hors-bord jusqu'à ce que du carburant s'écoule du drain de vidange.
6. Maintenez le moteur hors-bord dans cette position jusqu'à la purge complète du carburant.
7. Lorsque le réservoir est complètement vide, resserrez correctement la vis de vidange.
8. Vérifiez si le carburant vidangé ne contient aucune trace d'eau ou d'autres contaminants. En présence de l'une ou l'autre de ces substances, remontez le moteur hors-bord, remplissez le séparateur de vapeur de carburant et vidangez à nouveau le carburant. Répétez cette opération jusqu'à disparition complète de toute trace d'eau ou d'autres contaminants dans le carburant vidangé.



1. Séparateur de vapeur

ENOF01126-0

ENOM00102-0

Batterie

ENOW00931-A

**AVERTISSEMENT**

- **placer la batterie à l'écart de toute source potentielle d'incendie, d'étincelles et de flammes nues, telles que des brûleurs ou du matériel de soudage ;**
- **Maintenez la batterie éloignée du réservoir de carburant. Des étincelles de la batterie pourraient faire exploser l'essence.**

1. Débranchez les câbles de la batterie en retirant d'abord la borne négative.
2. Essuyez toute trace de dépôts chimiques, de saleté ou de graisse.
3. Graissez les bornes de la batterie.
4. Chargez complètement la batterie avant de la remiser pour l'hiver.
5. Rechargez la batterie une fois par mois pour éviter qu'elle ne se décharge et empêcher toute détérioration de l'électrolyte.
6. Entreposez la batterie dans un endroit sec.

ENOM00104-A

4. Inspection pré-saisonnière

Suivez les étapes ci-après avant la première utilisation du moteur au terme du remisage hors-saison.

1. Vérifiez le fonctionnement correct du levier inverseur et de la poignée des gaz. (N'oubliez pas de faire tourner l'arbre d'hélice lors de la vérification de la fonction d'inversion de marche afin d'éviter tout endommagement de la barre franche.)

2. Contrôlez le niveau de l'électrolyte et mesurez la tension et la densité relative de la batterie.

Gravité spécifique à 20°C	Tension aux bornes (V)	État de charge
1.120	10.5	Complètement déchargée
1.160	11.1	Chargée à 1/4
1.210	11.7	Chargée à 1/2
1.250	12	Chargée à 3/4
1.280	13.2	Complètement chargée

3. Veillez à ce que la batterie soit bien sécurisée et que les câbles soient correctement raccordés.
4. Changez l'huile moteur (voir page 72).
5. Avant de démarrer le moteur, déconnectez le mécanisme de verrouillage de l'interrupteur d'arrêt et amorcez environ 10 en tirant sur le lanceur à rappel (modèle à démarrage manuel) ou 3 fois pendant 3 secondes en tournant le moteur du démarreur (modèle à démarrage électrique) afin d'amorcer la pompe à huile.
6. Remplissez complètement le réservoir de carburant.
7. Démarrez le moteur et chauffez-le au point mort ·NEUTRAL· pendant 3 minutes.
8. Faites tourner le moteur au ralenti pendant 5 minutes.
9. Faites tourner le moteur à mi-puissance pendant 10 minutes. L'huile de stockage présente à l'intérieur du moteur sera ainsi mise en circulation pour assurer une performance optimale.

ENOM00105-A

5. Moteur hors-bord immergé

ENOW00098-0

⚠ CONSEIL DE PRUDENCE

N'essayez surtout pas de démarrer un moteur immergé dès sa sortie de l'eau. Ceci pourrait sérieusement l'endommager.

Après avoir retiré le moteur de l'eau, amenez-le immédiatement à votre distributeur.

Les mesures d'urgence suivantes doivent être prises pour tout moteur hors-bord immergé, si vous ne pouvez pas l'amener toute de suite à un distributeur.

1. Lavez le moteur hors-bord avec de l'eau douce pour retirer le sel et les saletés.
2. Retirez la vis de vidange d'huile et laissez l'eau et l'huile s'écouler complètement du moteur.
3. Retirez les bougies d'allumage et éliminez toute l'eau du moteur en tirant plusieurs fois sur le lanceur à rappel. Remplacez le filtre à huile et mettez l'huile à niveau.

Il peut s'avérer nécessaire de remplacer à nouveau l'huile et le filtre après une courte période d'utilisation pour éliminer toute trace d'humidité du carter moteur.

4. Injectez une quantité suffisante d'huile moteur par les trous de bougie. Tirez le lanceur de rappel plusieurs fois pour faire circuler l'huile dans le moteur hors-bord.

ENOM00106-A

6. Précautions par temps froid

Si vous amarrez votre bateau par temps froid, à une température au-dessous de 0 °C (32 °F), il existe un risque que l'eau gèle dans la pompe à eau de refroidissement, ce qui pourrait endommager la pompe, le rotor, etc. Pour éviter ce problème, immergez la moitié inférieure du moteur hors-bord dans l'eau.

ENOM00107-A

7. Impact avec un objet immergé

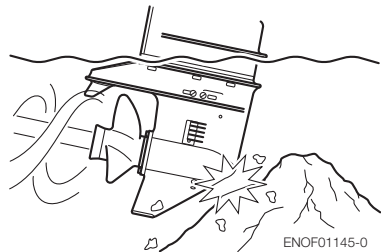
ENOW00935-0

⚠ CONSEIL DE PRUDENCE

Tout impact avec le fond marin ou un objet immergé peut sérieusement endommager le moteur hors-bord.

Suivez la procédure ci-après et consultez un distributeur dès que possible.

1. Arrêtez immédiatement le moteur.
2. Contrôlez le système de commande, l'embase, le tableau arrière du bateau, etc.
3. Rejoignez lentement et prudemment le port le plus proche.
4. Consultez un distributeur pour qu'il inspecte le moteur hors-bord avant de le démarre à nouveau.



ENOF01145-0

ENOM00121-0

8. Fonctionnement avec plusieurs moteurs hors-bord

Lors du fonctionnement des moteurs hors-bord en marche arrière à une vitesse supérieure à la vitesse la plus basse, assurez-vous que tous les moteurs tournent.

Si l'un des moteurs s'arrête, assurez-vous de relever le moteur hors-bord et de garder son hélice hors de l'eau.

Si vous ne le faites pas, l'eau pourrait pénétrer dans le moteur et l'endommager.

DIAGNOSTIC DE PANNES

ENOM00108-0

Si vous rencontrez un problème, veuillez consulter la liste de contrôle ci-dessous pour déterminer la cause et prendre les mesures qui s'imposent.

Tout distributeur agréé se fera un plaisir de vous assister et de vous donner des informations.

	Cause possible								
	Difficulté au démarrage du moteur	Fonctionnement irrégulier du moteur	Faible régime du moteur / Faible régime du bateau	Décharge trop rapide de la batterie	Défaillance du démarreur	Dispositif T inopérant	Lampe témoin ·ON·	Alarme sonore ·ON·	
SYSTÈME D'ALIMENTATION	●								Réservoir à carburant vide
		●	●						Branchement incorrect du système d'alimentation en carburant
	●	●	●						Présence d'air dans le conduit d'essence
	●	●	●						Tuyau de carburant déformé ou endommagé
	●	●	●						Évent du réservoir de carburant fermé
	●	●	●						Filtre ou pompe à carburant, séparateur de vapeur obstrué
	●	●	●						Dysfonctionnement de la pompe à carburant.
	●	●	●						Huile moteur non appropriée
	●	●	●						Essence non appropriée
	●	●	●						Faible performance ou obstruction dans la pompe à carburant à pression élevée (FFP)
			●				●	●	Niveau faible d'huile de moteur
		●	●						Niveau élevé d'huile de moteur (émanation de fumée)
			●				●	●	Filtre à huile bouché
			●				●	●	Dysfonctionnement de la pompe à carburant

	Difficulté au démarrage du moteur	Fonctionnement irrégulier du moteur	Faible régime du moteur / Faible régime du bateau	Décharge trop rapide de la batterie	Défaillance du démarreur	Dispositif T inopérant	Lampe témoin ·ON·	Alarme sonore ·ON·	Cause possible
SYSTÈME ÉLECTRIQUE	●	●	●	●	●	●	●	●	Composant électriques en dehors des limites ou connexion des câbles incorrecte ou lâche.
	●	●	●						Autre bougie d'allumage que celle spécifiée
	●	●	●						Bougie d'allumage sale, encrassée, etc.
	●	●	●						Étincelle faible ou nulle
	●								Court-circuit de l'interrupteur d'arrêt du moteur
	●								Plaquette de l'interrupteur d'arrêt absente
	●			●	●	●			Câblage, panne du câble de terre, cassure ou connexion lâche.
	●				●	●			Tension de batterie basse
	●				●				Non enclenché au point mort
	●			●	●	●			Batterie faible ou connexions de batterie lâches ou corrodées
	●				●				Défaillance du commutateur d'allumage
●				●				Défaillance du démarreur ou du solénoïde du starter	
					●			Interrupteur du dispositif de relevage ou solénoïde déficient	
COMPRESSION ET CIRCUIT D'HUILE	●	●	●						Faible compression
		●	●						Calaminage dans la chambre de combustion
	●	●	●						Jeu de soupapes incorrect
			●				●	●	Pression / niveau d'huile faible, pompe à huile défectueuse, filtre à huile obstrué (manoccontacteur allumé)
		●	●						Débit insuffisant de l'eau de refroidissement, pompe obstruée ou défectueuse
	●	●	●						Synchronisation incorrecte de la soupape (élongation ou mauvaise installation de la courroie de synchronisation)
	●	●	●						Panne du siège d'entrée/sortie
		●	●						Usure excessive du piston, du segment de piston ou du cylindre.
		●	●						Mauvais serrage de la bougie d'allumage

		Difficulté au démarrage du moteur	Fonctionnement irrégulier du moteur	Faible régime du moteur / Faible régime du bateau	Décharge trop rapide de la batterie	Défaillance du démarreur	Dispositif T inopérant	Lampe témoin ·ON·	Alarme sonore ·ON·	Cause possible	
AUTRES			●	●							Thermostat déficient
			●	●							Cavitations ou ventilation
			●	●							Mauvais choix de l'hélice
			●	●							Hélice endommagée ou tordue
				●							Position incorrecte de la tige de butée
				●							Charge non équilibrée dans le bateau
			●	●							Tableau arrière trop haut ou trop bas
							●				Trop grande fraction d'air dans la pompe
				●							Ouverture des gaz insuffisante

KIT DES ACCESSOIRES

ENOM00109-0

Voici la liste des outils et pièces détachées fournis avec le moteur.

Pièces		Quantité	Remarque	
Outils de service	Trousse à outils	1		
	Pince multiprise	1		
	Clé à douille	1	10 x 13 mm	
	Clé à douille	1	16 mm (bougie d'allumage)	
	Poignée de clé à douille	1		
	Tournevis	1	Cruciforme et à lame plate	
	Poignée de tournevis	1		
Pièces détachées	Corde de secours du lanceur	1		
	Bougie d'allumage	1	NGK : DCPR6E	
	Goupille d'arrêt	1		
	Mécanisme de verrouillage de l'interrupteur d'arrêt	1		
Éléments contenus dans l'emballage du moteur	Réservoir à carburant	1	25 L	
	Poire d'amorçage	1 jeu		
	Jeu de boulons de timonerie			
	Boulon	2	M8 x 85 mm	Modèle à inclinaison manuelle
	Rondelle	4	M8	
	Écrou	2	M8	
	Boulon	4	M12P1.25 x 105 mm	Modèle à inclinaison électrique
	Rondelle	4	13-34-3	
	Rondelle	4	M12	
	Écrou	4	M21.5	
	Ensemble de jonctions de câbles			
	Jonction de câbles	2		
	Rondelle	2	8.5-18-16	Modèles E et ET
	Goupille à pression	2		
Accessoire de rinçage	1			

TABLEAU DES HÉLICES

ENOM00111-0

Utilisez uniquement une hélice d'origine.

Une hélice doit être sélectionnée de telle sorte que le régime à pleins gaz lors de la navigation s'inscrive dans la plage recommandée.

25 : 5000-6000 min⁻¹ (rpm)

30 : 5250-6250 min⁻¹ (rpm)

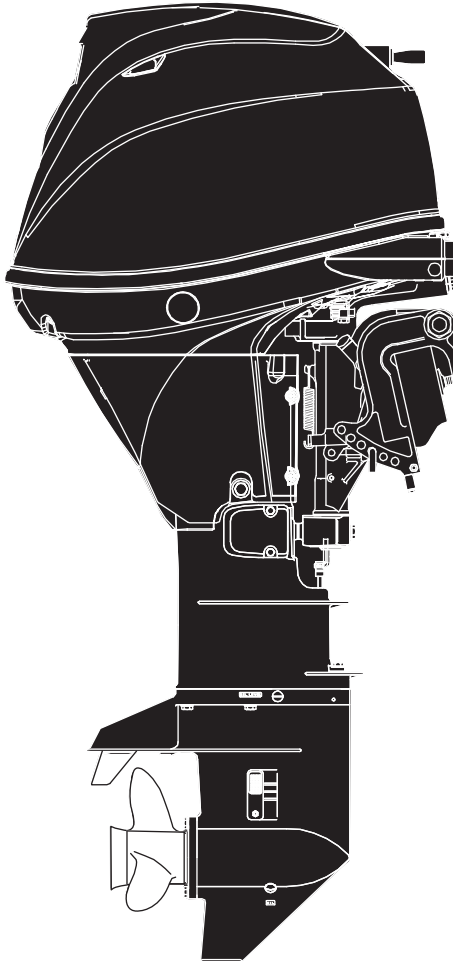
	Marque de l'hélice	Taille de l'hélice (diamètre x pas)	
		in.	mm
Bateaux légers	14	9.9 x 14.2	252 x 360
	DS13	9.6 x 13	244 x 330
	DS12	9.8 x 12	249 x 305
	DS11	9.8 x 11	249 x 279
	DS10	9.72 x 10	247 x 254
	DS9	9.72 x 9	247 x 229
Bateaux lourds	8	10.2 x 8.3	260 x 210

 **TOHATSU**

**MANUEL
DE L'UTILISATEUR
MFS 25C
MFS 30C**

TOHATSU

MANUAL DEL PROPIETARIO



**MFS 25C
MFS 30C**

Manual original

OB No.003-11117-3AG1

ENOM00001-0



LEA ESTE MANUAL ANTES DE USAR EL MOTOR FUERABORDA. SI NO SE SIGUEN LAS INSTRUCCIONES Y LAS PRECAUCIONES DE SEGURIDAD DE ESTE MANUAL SE PUEDEN PRODUCIR LESIONES GRAVES O MORTALES. GUARDE ESTE MANUAL EN UN LUGAR SEGURO PARA CONSULTARLO MÁS ADELANTE.

Copyright © 2017 Tohatsu Corporation. Todos los derechos reservados. Ninguna parte de la información de este manual puede reproducirse ni transmitirse, en manera alguna ni por ningún medio, sin el previo consentimiento expreso y por escrito de Tohatsu Corporation.

SU MOTOR FUERABORDA TOHATSU

ENOM00006-A

A usted, nuestro cliente

Gracias por seleccionar un motor fueraborda TOHATSU. Ahora puede enorgullecerse de ser el propietario de un excelente motor fueraborda que le servirá durante muchos años. Debe leer la totalidad de este manual y debe respetar minuciosamente los procedimientos de inspección y mantenimiento que se describirán más adelante en este manual. Si se produjera algún problema con el motor fueraborda, siga los procedimientos de resolución de problemas indicados al final de este manual. Si el problema persistiera, póngase en contacto con un centro de servicio técnico o un distribuidor autorizado por TOHATSU. Conserve siempre este manual junto con el motor como referencia para cualquiera que lo utilice. Si se vende el motor fueraborda, asegúrese de que se le entrega el manual al siguiente propietario.

Confiamos en que disfrute mucho con este motor fueraborda y le deseamos buena suerte en sus aventuras a bordo.

TOHATSU CORPORATION

ENOM00113-0

DECLARACIÓN DE CONFORMIDAD CE (DdC)

Este producto cumple algunas partes de la directiva del Parlamento europeo. La DdC contiene la siguiente información:

- Nombre y dirección del fabricante.
- Directivas comunitarias aplicables.
- Norma de referencia.
- Descripción del producto. (Nombre del modelo y número de serie)
- Firma de la persona responsable (Nombre/Cargo/Fecha y lugar de emisión).

ENOM00002-0

INSCRIPCIÓN E IDENTIFICACIÓN DEL PROPIETARIO

Al adquirir este producto, asegúrese de que su TARJETA DE GARANTÍA esté correcta y completamente rellena y envíela a la dirección que se indique. Esta TARJETA DE GARANTÍA le identifica como propietario legal del producto y sirve como inscripción de su garantía.

SI NO RESPETA ESTE PROCEDIMIENTO, Y EN LA MEDIDA EN QUE LO PERMITAN LAS LEYES VIGENTES, SU MOTOR FUERABORDA NO ESTARÁ CUBIERTO POR LA GARANTÍA LIMITADA CORRESPONDIENTE.

ENOM00003-0

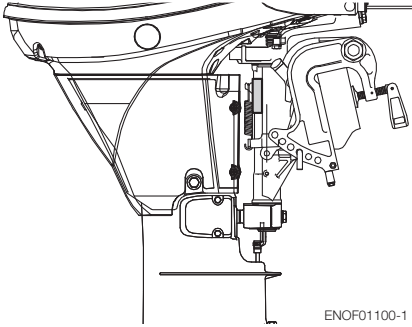
COMPROBACIÓN PRELIMINAR

Asegúrese de que un proveedor autorizado por TOHATSU haya revisado el producto antes de la entrega.

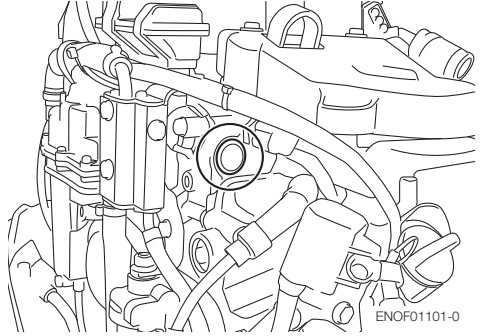
ENOM00005-A

Número de serie

Por favor, anote en el espacio siguiente el número de serie del motor fueraborda (indicado en la soporte giratorio y en el bloque de los cilindros). Cuando se pidan piezas o se hagan consultas técnicas o sobre la garantía se necesitará el número de serie.

Número de serie:

ENOF01100-1



ENOF01101-0

Número de serie:

Fecha de compra:

ENOM00007-0

AVISO: PELIGRO/ADVERTENCIA/PRECAUCIÓN/Nota:

Antes de instalar, manejar o manipular de otro modo su motor fueraborda, asegúrese de haber leído detalladamente y comprendido este Manual del Propietario y seguir todas las instrucciones que contiene. La información precedida por las palabras ·PELIGRO·ADVERTENCIA·PRECAUCIÓN y ·Nota · es especialmente importante. Para garantizar un funcionamiento seguro en todo momento del motor fueraborda, preste siempre una atención especial a esta información.

ENOW00001-0

 **PELIGRO**

Si no se toma en cuenta se pueden producir lesiones personales graves o mortales y posiblemente daños a la propiedad.

ENOW00002-0

 **ADVERTENCIA**

Si no se toma en cuenta podrían producirse lesiones personales graves o mortales, o daños materiales.

ENOW00003-0

 **PRECAUCIÓN**

Si no se toma en cuenta podrían producirse lesiones personales o daños materiales.

ENON00001-0

Nota

Estas instrucciones proporcionan información especial para facilitar el uso o el mantenimiento del motor fueraborda o para aclarar cuestiones importantes.

CONTENIDO

1. INFORMACIÓN DE SEGURIDAD GENERAL	10
2. ESPECIFICACIONES	12
3. NOMBRE DE LAS PIEZAS	15
4. UBICACIONES DE LAS ETIQUETAS	19
5. INSTALACIÓN	23
1. Montaje del motor fueraborda en la embarcación	23
2. Instalación del dispositivo de control remoto	26
3. Instalación de la batería	26
4. Instalación del TOCS (Tohatsu Onboard Communication System/Sistema de comunicaciones a bordo Tohatsu)	28
6. PREPARACIONES PREVIAS A LA PUESTA EN MARCHA DEL MOTOR	29
1. Manipulación del combustible	29
2. Llenado de combustible	30
3. Recomendación sobre el aceite para motor	32
4. Acondicionamiento	33
5. Sistema de advertencia	34
7. FUNCIONAMIENTO DEL MOTOR	37
Antes de arrancar	37
1. Alimentación de combustible	37
2. Arranque del motor	38
3. Calentamiento del motor	44
4. Hacia adelante, hacia atrás y aceleración	45
5. Parar el motor	49
6. Dirección	51
7. Ángulo de inclinación	52
8. Inclinación hacia arriba y hacia abajo	54
9. Funcionamiento en aguas poco profundas	57
8. RETIRAR Y TRANSPORTAR EL MOTOR FUERABORDA	59
1. Retirar el motor fueraborda	59
2. Transportar el motor fueraborda	59
3. Remolque	60
9. AJUSTE	62
1. Fricción de la dirección	62
2. Fricción de la empuñadura del acelerador	62
3. Fricción de la palanca del control remoto	62
4. Ajuste de la aleta de estabilidad	63
10. INSPECCIÓN Y MANTENIMIENTO	64
1. Inspección diaria	65
2. Inspección periódica	70
3. Almacenamiento fuera de temporada	84
4. Comprobación pretemporada	87
5. Motor fueraborda sumergido	88

6. Precauciones en el invierno	88
7. Choque con objeto sumergido	88
8. Funcionamiento con múltiples motores fueraborda	88
11. RESOLUCIÓN DE PROBLEMAS	89
12. KIT DE ACCESORIOS	92
13. TABLA DE HÉLICES	93

ÍNDICE



1	INFORMACIÓN DE SEGURIDAD GENERAL	1
2	ESPECIFICACIONES	2
3	NOMBRE DE LAS PIEZAS	3
4	UBICACIONES DE LAS ETIQUETAS	4
5	INSTALACIÓN	5
6	PREPARACIONES PREVIAS A LA PUESTA EN MARCHA DEL MOTOR	6
7	FUNCIONAMIENTO DEL MOTOR	7
8	RETIRAR Y TRANSPORTAR EL MOTOR FUERABORDA	8
9	AJUSTE	9
10	INSPECCIÓN Y MANTENIMIENTO	10
11	RESOLUCIÓN DE PROBLEMAS	11
12	KIT DE ACCESORIOS	12
13	TABLA DE HÉLICES	13

INFORMACIÓN DE SEGURIDAD GENERAL

ENOM00009-0

MANEJO SEGURO DE LA EMBARCACIÓN

Como operador/gobernante de la embarcación, usted es responsable de la seguridad de los ocupantes de la misma y de los ocupantes de las embarcaciones cercanas, así como de cumplir las normativas locales de navegación. Por tanto, debe poseer un profundo conocimiento del manejo correcto de la embarcación, el motor fueraborda y sus accesorios. Por favor, lea cuidadosamente este manual para aprender sobre el manejo y el mantenimiento correcto del motor fueraborda.

Para una persona que se encuentre en el agua o flote en ella es muy difícil apartarse al ver una embarcación avanzando en su dirección, aunque sea a poca velocidad. Por esta razón, cuando su embarcación esté próxima a personas que se encuentran en el agua, es preciso cambiar el motor a neutro y pararlo.

ENOW00005-0

ADVERTENCIA

ES PROBABLE QUE SE PRODUZCAN LESIONES GRAVES SI UNA PERSONA QUE SE ENCUENTRE EN EL AGUA ENTRA EN CONTACTO CON UNA EMBARCACIÓN EN MOVIMIENTO, CON LA CAJA DE CAMBIOS, LA HÉLICE, O CUALQUIER DISPOSITIVO SÓLIDO FIJADO A UNA EMBARCACIÓN O A LA CUBIERTA DE LA TRANSMISIÓN.

ENOM00008-A

INTERRUPTOR DE PARADA DE EMERGENCIA

El interruptor de parada de emergencia detendrá el motor cuando se tire del acollador del interruptor de parada. Este acollador del interruptor de parada tiene que ligarse al cuerpo de quien maneja el motor fueraborda para minimizar o para prevenir lesiones ocasionadas por la hélice en caso de que caiga por la borda.

Es responsabilidad del operador usar el acollador del interruptor de parada de emergencia.

ENOW00004-A

ADVERTENCIA

La activación accidental del interruptor de parada de emergencia (debida, por ejemplo a una fuerte marejada) puede hacer que los pasajeros pierdan el equilibrio e incluso caigan por la borda o también puede ocasionar una pérdida de potencia en aguas agitadas o con vientos y corrientes fuertes. Otro posible riesgo es la pérdida de control durante el amarre. Para minimizar el riesgo de activación accidental del interruptor de parada de emergencia, el acollador del interruptor de parada de 500 mm (20 in.) está enrollado y puede extenderse hasta 1300 mm (51 in.).

ENOM00800-A

CHALECO SALVAVIDAS

Como operador/gobernante y pasajero de la embarcación, usted es responsable de llevar un chaleco salvavidas mientras se encuentre a bordo.

ENOM00010-0

REPARACIONES, PIEZAS DE REPUESTO Y LUBRICANTES

Recomendamos que las reparaciones o el mantenimiento de este motor fueraborda sean realizadas por un servicio técnico autorizado. Asegúrese de utilizar repuestos originales y los lubricantes originales o recomendados.

ENOM00011-A

MANTENIMIENTO

Como propietario de este motor fueraborda, debe estar familiarizado con los procedimientos correctos de mantenimiento, siguiendo las indicaciones de la sección de mantenimiento de este manual (ver la página 64). El operador es responsable de realizar todas las comprobaciones de seguridad y de seguir todas las instrucciones sobre lubricación y mantenimiento para garantizar un funcionamiento seguro. Por favor, siga todas las instrucciones sobre lubricación y mantenimiento. Debe llevar el motor a un proveedor autorizado para someterlo a inspecciones periódicas con la regularidad prescrita.

Un mantenimiento periódico correcto y el cuidado adecuado de este motor fueraborda reducirán la probabilidad de aparición de problemas y limitarán los gastos de manejo.

Peligro de envenenamiento por el monóxido de carbono

El gas de combustión contiene monóxido de carbono, un gas incoloro e inodoro que puede resultar mortal si se inhala durante largos periodos de tiempo.

No arranque nunca ni active el motor en interiores ni en ningún espacio que no esté bien ventilado.

Gasolina

La gasolina y sus vapores son muy inflamables y pueden ser explosivos. Extremar las precauciones cuando manipule la gasolina. Leyendo este manual deberá ser plenamente consciente de cómo manipular la gasolina.

ESPECIFICACIONES

ENOM00810-A

CARACTERÍSTICAS DEL MODELO

Modelo		MFS25C			MFS30C		
Tipo		MF	EP	EPT	MF	EP	EPT
Alturas puntales popa	S	●	●	●	●	●	●
	L	●	●	●	●	●	●
Manilla de la caña del timón		●			●		
Caña de timón multifunción			(●)*1	(●)*1		(●)*1	(●)*1
Control remoto			●	●		●	●
Equipo motorizado de inclinación				●			●
Inclinación asistida por gas							
Inclinación manual		●	●		●	●	

*1: Opción

ENOM00811-A

EJEMPLO DE NOMBRE DE MODELO

F 30C EPTL

F	30	C	E	P	T	L
Descripción del modelo	Potencia	Generación de producto	Sistema de arranque	Dirección arranque	Sistema de inclinación	Longitud de eje
F= Cuatro tiempos D= DI de dos tiempos	-	A y arriba	E= Arranque eléctrico Vacío= Arranque manual	P=Control remoto (Ocio) F= Caña de timón (Pescador) *La caña de timón multifunción está disponible como pieza opcional	T= Equipo motorizado de inclinación y trimado G= Asistido por gas Vacío= Inclinación manual	S= Corto 15 in L= Largo 20 in UL= Ultralargo 25 in

ENOM00013-0

MF, E, EP

2

Elemento	MODELO	25C/30C		
		MF	E (con caña de timón multifunción: opcional)	EP
Longitud total	mm (in)	1038 (40.9)	1303 (52.3)	726 (28.6)
Anchura total	mm (in)	411 (16.2)		
Altura total S-L	mm (in)	1189(46.8) 1337 (52.6)		
Altura del puntal S-L	mm (in)	404 (15.9) 552 (21.7)		
Peso*1	S kg (lb)	71.5 (158)	77.0 (170)	73 (161)
	L kg (lb)	73 (161)	78.5 (173)	74.5 (164)
Potencia	kW (ps)	25B : 18,4 (25) 30B : 22.1 (30)		
Rango máximo de operación	min ⁻¹ (rpm)	25B : 5000-6000 30B : 5250-6250		
Velocidad al ralentí	min ⁻¹ (rpm)	850 ± 30		
Tipo de motor		Inyección de combustible de 4 tiempos		
Número de cilindros		3		
Diámetro y embolada	mm (in)	61 x 60 (2.40 x 2.36)		
Desplazamiento del pistón	cm ³ (Cu in)	526 (32.09)		
Sistema de escape		A través del cubo de la hélice		
Sistema de refrigeración		Refrigeración por agua		
Sistema de lubricación		Bomba trocoidal		
Sistema de arranque		Manual	Motor*2 de arranque eléctrico	
Sistema de encendido		Encendido por volante magnético		
Bujía		NGK DCPR6E		
Posición de inclinación		6		
Aceite para motor	mL (qt.)	API SF, SG, SH o SJ, 10W-30/40 Aprox. 1800 (1.9)		
Aceite para engranajes	mL (fl.oz.)	Aceite para engranajes original Tohatsu o API GL5, SAE #80a #90, 360 (12.2)		
Combustible		Gasolina normal sin plomo: si se indica en el surtidor 87 octanos (91 basándose en la clasificación de octanaje de investigación)		
Capacidad del depósito de combustible	L (US gal)	25 (6.60)		
Reducción de velocidad		2.17 (12 : 26)		
Sistema de control de emisiones		MFI (Inyección multipuerto de combustible)		
Presión de sonido del operador (ICOMIA 39/94) dB (A)		80.4		
Nivel de vibración de la mano (ICOMIA 38/94) m/s ²		2.8	.	

Comentario: Especificaciones sujetas a cambio sin previo aviso.

*1 Sin hélice, con cable de batería.

*2 Con manual

El fueraborda Tohatsu tiene una potencia nominal conforme a la norma ISO8665 (salida del eje de la hélice).

ENOM00015-0

ET (con caña de timón multifunción), EPT

2

Elemento	MODELO	25C/30C	
		ET (con caña de timón multifunción: opcional)	EPT
Longitud total	mm (in)	1303 (52.3)	726 (28.6)
Anchura total	mm (in)	411 (16.2)	
Altura total S-L	mm (in)	1189 (46.8)	1337 (52.6)
Altura del puntal S-L	mm (in)	404 (15.9)	552 (21.7)
Peso*1	S kg (lb)	85 (187)	81 (179)
	L kg (lb)	86.5 (191)	82.5 (182)
Potencia	kW (ps)	25B : 18,4 (25)	30B : 22.1 (30)
Rango máximo de operación	min ⁻¹ (rpm)	25B : 5000-6000	30B : 5250-6250
Velocidad al ralentí	min ⁻¹ (rpm)	850 ± 30	
Tipo de motor		Inyección de combustible de 4 tiempos	
Número de cilindros		3	
Diámetro y embolada	mm (in)	61 x 60 (2.40 x 2.36)	
Desplazamiento del pistón	cm ³ (Cu in)	526 (32.09)	
Sistema de escape		A través del cubo de la hélice	
Sistema de refrigeración		Refrigeración por agua	
Sistema de lubricación		Bomba trocoidal	
Sistema de arranque		Motor*2 de arranque eléctrico	
Sistema de encendido		Encendido por volante magnético	
Bujía		NGK DCPR6E	
Posición de inclinación		4	
Aceite para motor	mL (qt.)	API SF, SG, SH o SJ, 10W-30/40 Aprox. 1800 (1.9)	
Aceite para engranajes	mL (fl.oz.)	Aceite para engranajes original Tohatsu o API GL5, SAE #80a #90, Aprox. 360 (12.2)	
Combustible		Gasolina normal sin plomo: si se indica en el surtidor 87 octanos (91 basándose en la clasificación de octanaje de investigación)	
Capacidad del depósito de combustible	L (US gal)	25 (6.60)	
Reducción de velocidad		2.17 (12 : 26)	
Sistema de control de emisiones		MFI (Inyección multipuerto de combustible)	
Presión de sonido del operador (ICOMIA 39/94) dB (A)		80.4	
Nivel de vibración de la mano (ICOMIA 38/94) m/s ²		2.8	.

Comentario: Especificaciones sujetas a cambio sin previo aviso.

*1 Sin hélice, con cable de batería.

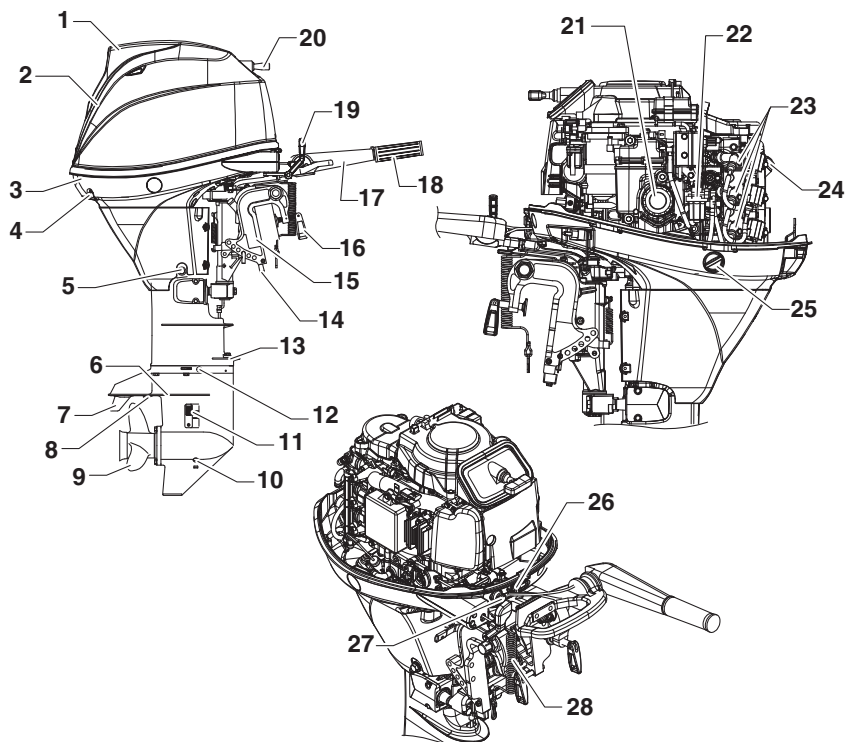
*2 Con manual

El fueraborda Tohatsu tiene una potencia nominal conforme a la norma ISO8665 (salida del eje de la hélice).

NOMBRE DE LAS PIEZAS

ENOM00820-0

MF



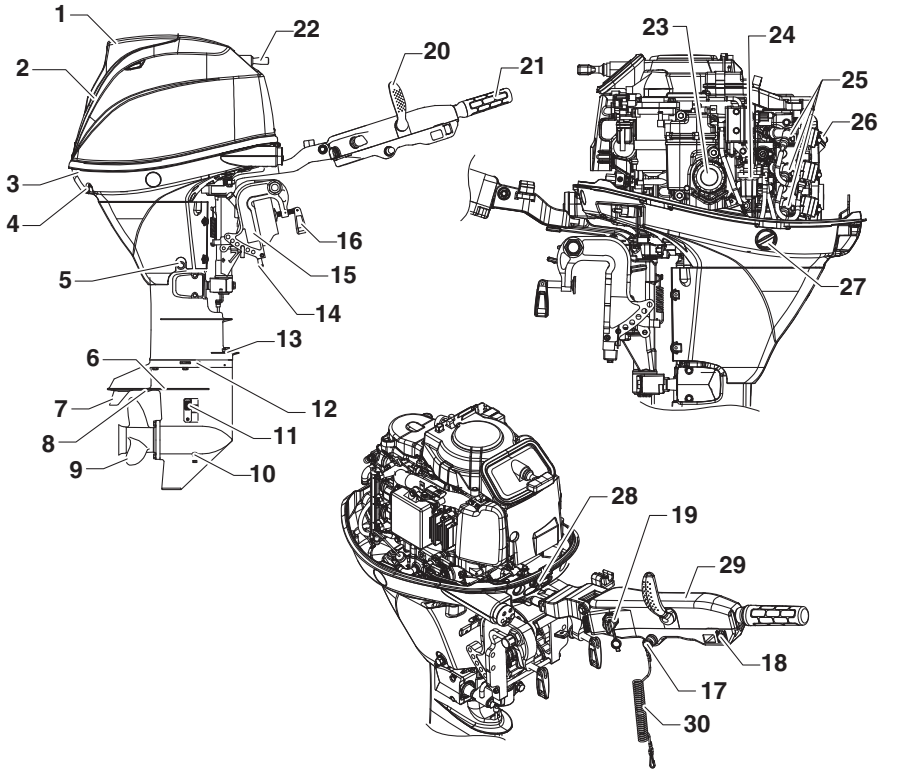
- | | | | | | |
|----|--|----|---------------------------------|----|-------------------------------------|
| 1 | Manilla de inclinación | 12 | Tapón del aceite (superior) | 23 | Bujía |
| 2 | Cubierta superior del motor | 13 | Placa contra las salpicaduras | 24 | Tapón de llenado de aceite |
| 3 | Cubierta inferior del motor | 14 | Ánodo | 25 | Tapa del conector de descarga |
| 4 | Orificio de comprobación del agua de refrigeración | 15 | Sujeción de popa | 26 | Luz de advertencia |
| 5 | Tapón de drenaje de aceite | 16 | Tornillo mordaza | 27 | Interruptor de parada |
| 6 | Placa anticavitación | 17 | Manilla de la caña del timón | 28 | Acollador del interruptor de parada |
| 7 | Aleta de estabilidad | 18 | Empuñadura del acelerador | | |
| 8 | Toma de agua sumergida | 19 | Palanca de cambio | | |
| 9 | Hélice | 20 | Pomo de arranque del arrancador | | |
| 10 | Tapón del aceite (inferior) | 21 | Filtro del aceite | | |
| 11 | Toma del agua de refrigeración | 22 | Filtro del combustible | | |

ENOF01135-0

ENOM00020-0

E (con caña de timón multifunción), EP

3



ENOF01136-0

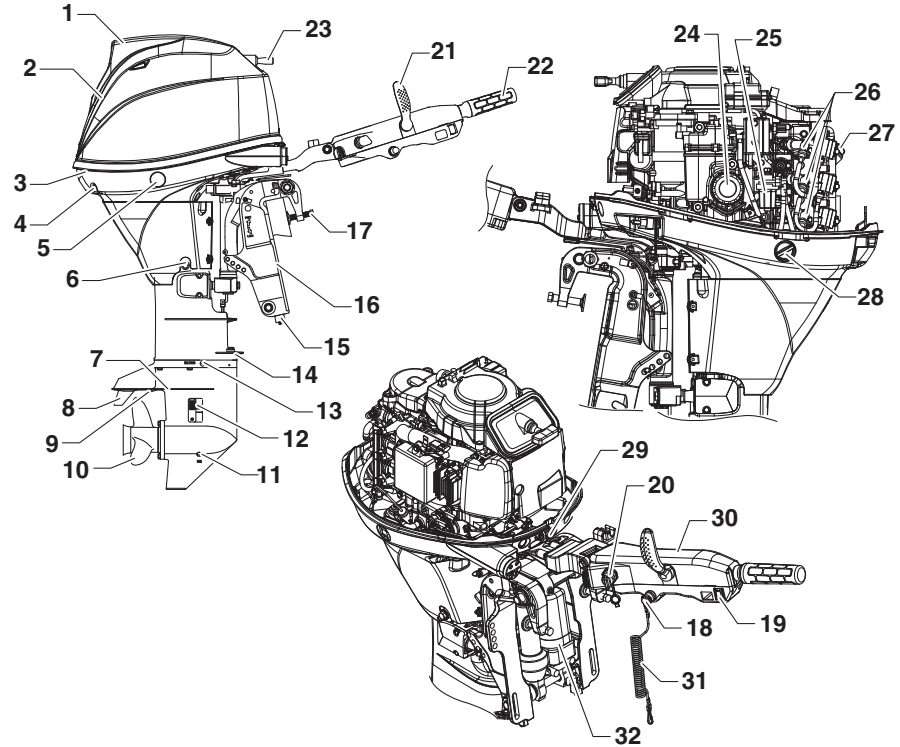
- | | | |
|--|------------------------------------|--|
| 1 Manilla de inclinación | 12 Tapón del aceite (superior) | 23 Filtro del aceite |
| 2 Cubierta superior del motor | 13 Placa contra las salpicaduras | 24 Filtro del combustible |
| 3 Cubierta inferior del motor | 14 Ánodo | 25 Bujía |
| 4 Orificio de comprobación del agua de refrigeración | 15 Sujeción de popa | 26 Tapón de llenado de aceite |
| 5 Tapón de drenaje de aceite | 16 Tornillo mordaza | 27 Tapa del conector de descarga |
| 6 Placa anticavitación | 17 Interruptor de parada | 28 Luz de advertencia |
| 7 Aleta de estabilidad | 18 Interruptor PT *1 | 29 Caña de timón multifunción *2 |
| 8 Toma de agua sumergida | 19 Interruptor de llave | 30 Acollador del interruptor de parada |
| 9 Hélice | 20 Palanca de cambio | |
| 10 Tapón del aceite (inferior) | 21 Empuñadura del acelerador | |
| 11 Toma del agua de refrigeración | 22 Pomo de arranque del arrancador | |

*1: No para utilizar

*2: Opción

ENOM00020-0

ET (con caña de timón multifunción), EPT



- 1 Manilla de inclinación
- 2 Cubierta superior del motor
- 3 Cubierta inferior del motor
- 4 Orificio de comprobación del agua de refrigeración
- 5 Interruptor PT
- 6 Tapón de drenaje de aceite
- 7 Placa anticavitación
- 8 Aleta de estabilidad
- 9 Toma de agua sumergida
- 10 Hélice
- 11 Tapón del aceite (inferior)
- 12 Toma del agua de refrigeración
- 13 Tapón del aceite (superior)

- 14 Placa contra las salpicaduras
- 15 Ánodo
- 16 Sujeción de popa
- 17 Tornillo mordaza
- 18 Interruptor de parada
- 19 Interruptor PT
- 20 Interruptor de llave
- 21 Palanca de cambio
- 22 Empuñadura del acelerador
- 23 Pomo de arranque del arrancador
- 24 Filtro del aceite
- 25 Filtro del combustible
- 26 Bujía

- 27 Tapón de llenado de aceite
- 28 Tapa del conector de descarga
- 29 Luz de advertencia
- 30 Caña de timón multifunción *1
- 31 Acollador del interruptor de parada
- 32 Equipo motorizado de inclinación y trimado

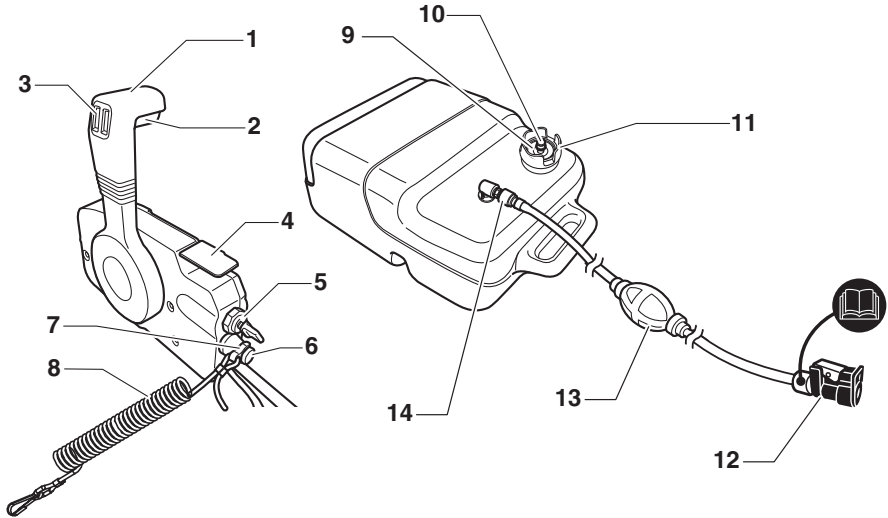
*1: Opción

ENOF01137-0

ENOM00822-0

Caja de control remoto y depósito de combustible

3



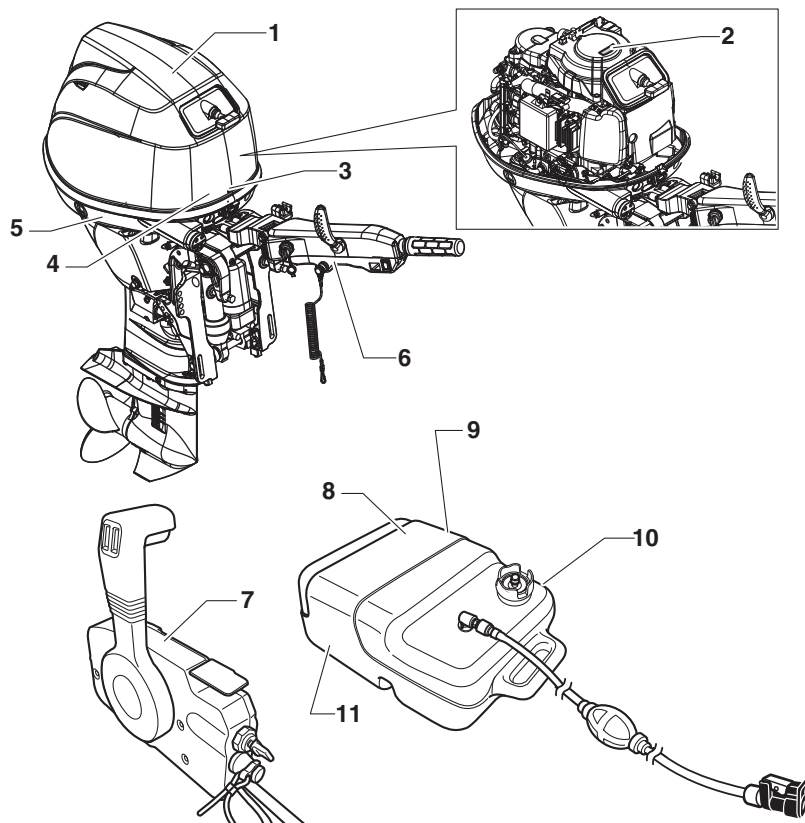
ENOF00127-C

- | | |
|---------------------------------------|--|
| 1 Palanca de control | 9 Medidor de combustible |
| 2 Brazo de bloqueo de punto muerto | 10 Tornillo de aireación |
| 3 Interruptor PTT | 11 Tapa del depósito de combustible |
| 4 Palanca del acelerador libre | 12 Conector de combustible (lado del motor) |
| 5 Interruptor principal | 13 Bulbo de cebado |
| 6 Interruptor de parada | 14 Conector de combustible (lado del depósito) |
| 7 Bloqueo del interruptor de parada | |
| 8 Acollador del interruptor de parada | |

UBICACIONES DE LAS ETIQUETAS

ENOM00019-A

Ubicaciones de las etiquetas de advertencia



4

ENOF01134-1

1. La etiqueta de advertencia no pide que leamos el manual de propietario.



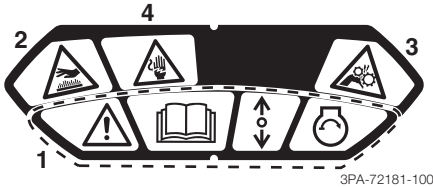
ENOF00120-0

- 2-1. Advertencia sobre el arranque de emergencia (ver la página 42).

- 2-2. Advertencia sobre altas temperaturas.

- 2-3. Advertencia sobre objetos giratorios.

- 2-4. Advertencia sobre alta tensión.



3PA-72181-100

3. Etiqueta de advertencia sobre fallo del motor/funcionamiento incorrecto (ver la página 34).



ENOF00130-0

4. Etiqueta de advertencia sobre el interruptor de parada (ver las páginas 40,50 y 51).



ENOF00131-B

5. Etiqueta de advertencia relativa a la posición del motor fueraborda al colocarlo.



ENOF00006-0

Para el modelo con caña de timón

6. Etiqueta de advertencia sobre el interruptor de parada (ver las páginas 40,50 y 51).



ENOF00005-P

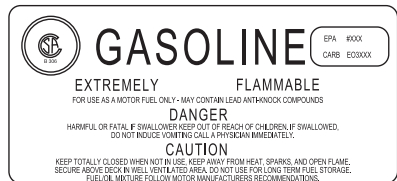
Para modelo RC

7. Etiqueta de advertencia sobre el acollador del interruptor de parada.



ENOF00005-D

8. Advertencia sobre la gasolina.



ENOF00005-E

9. Advertencia sobre la gasolina (ver la página 30).



ENOF00005-L

10. Advertencia sobre la gasolina (ver la página 30).



ENOF00005-M

11. Advertencia sobre la gasolina (ver la página 30).

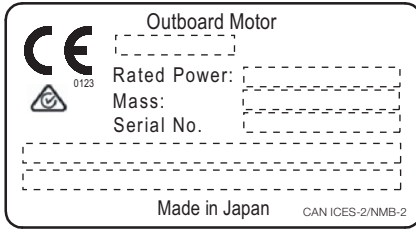


ENOF00005-F

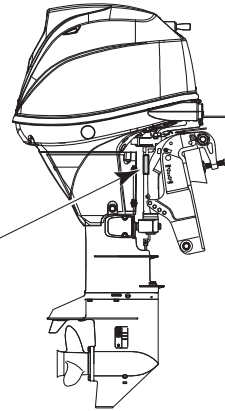
ENOM00019-B

Ubicaciones de las etiquetas CE

4



- 1)
- 2)
- 3)
- 4)
- 5)
- 6)



ENOF01129-1

- 1. Código de modelo (nombre de modelo)
- 2. Potencia nominal
- 3. Peso de la masa en seco (sin hélice, con cable de la batería)
- 4. Nº de serie
- 5. Nombre del fabricante
- 6. Dirección del fabricante

Descripción del número de serie del código del año
 Los últimos dos dígitos del alfabeto representan el año de producción como se indica a continuación.

Código del año	AG	AH	AK	BX	BA
Año de fabricación	2017	2018	2019	2020	2021

■ INSTALACIÓN

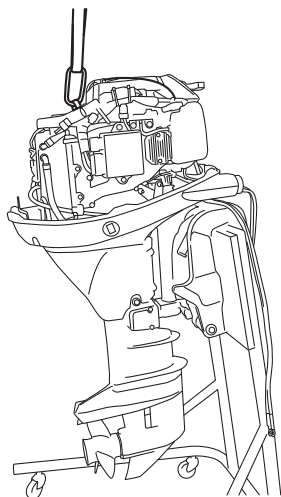
ENOM00024-A

1. Montaje del motor fueraborda en la embarcación

ENOW00006-B

⚠ ADVERTENCIA

Antes de instalar el motor fueraborda en la embarcación, cuelgue el motor con una grúa u otro dispositivo similar fijando el soporte del motor al fueraborda. Utilice una grúa con una capacidad de carga de 150 kg (330 lbs) o más.



ENOF01102-0

ENOW00006-0

⚠ ADVERTENCIA

La mayoría de las embarcaciones están clasificadas y homologadas en términos de su máxima potencia, la cual se indica en la placa de homologación de la embarcación. No equie su embarcación con un motor fueraborda que sobrepase este límite. Si tiene alguna duda, póngase en contacto con su proveedor.

No ponga el motor fueraborda en funcionamiento hasta que esté instalado de forma segura en la embarcación según se describe en las instrucciones siguientes.

ENOW00009-0

⚠ ADVERTENCIA

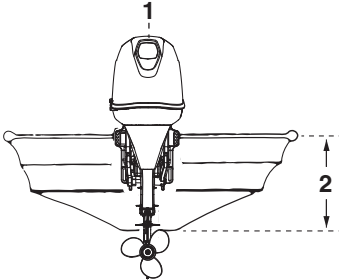
- Si monta el motor fueraborda sin seguir este manual pueden producirse situaciones inseguras como una mala maniobrabilidad, falta de control o incendio.
- Unos tornillos de fijación o unos pernos de montaje flojos pueden provocar que el motor fueraborda se suelte o se mueva, lo que puede provocar pérdida del control o lesiones personales graves. Asegúrese de que los elementos de sujeción estén apretados con el par de apriete especificado (30 N·m (3.0 kgf·m) 13 ft·lb). Compruebe de vez en cuando que los cierres estén apretados.
- Asegúrese de usar los tornillos de anclaje para el montaje del motor fueraborda que vienen incluidos en el paquete del motor fueraborda o los equivalentes en términos de tamaño, material, calidad y resistencia. Apriete los cierres con el par de apriete especificado (30 N·m (3.0 kgf·m) 13 ft·lb). Pruebe la embarcación para comprobar que los cierres estén bien apretados.
- El montaje del motor fueraborda debe ser realizado por personal de servicio técnico debidamente formado usando una grúa o montacargas que tenga la capacidad suficiente.

El montaje del motor fueraborda debe ser realizado por personal de servicio técnico debidamente formado usando una grúa o montacargas que tenga la capacidad suficiente.

ENOM00025-0

Posición... Por encima de la línea de la quilla

Coloque el motor en el centro de la embarcación.



ENOF01141-0

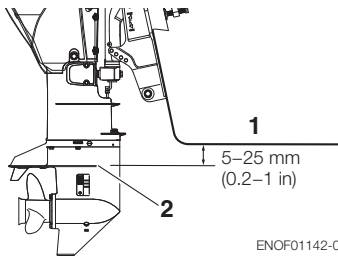
1. Centro de la embarcación
2. Espejo de popa de la embarcación

ENOM00026-0

Compatibilidad con el espejo de popa

Asegúrese de que la placa anticavitación del motor fueraborda esté 5-25 mm (0.2-1 in) por debajo del fondo del casco.

Si la forma de la parte inferior de la embarcación no permite lograr este estado, póngase en contacto con su proveedor.



ENOF01142-0

1. Fondo del casco
2. Placa anticavitación

ENOW00007-0

PRECAUCIÓN

- Antes de comenzar una prueba de arranque, compruebe que la embarcación con una carga de capacidad máxima flota en el agua de manera adecuada. Compruebe la posición de la superficie del agua sobre la cubierta del eje. Si la superficie del agua está cerca de la cubierta inferior del motor, con olas grandes, el agua puede entrar en los cilindros del motor.
- Si monta el motor fueraborda a una altura incorrecta o si existen objetos sumergidos, como el diseño del fondo del casco, las condiciones de la superficie del fondo u otros accesorios sumergidos, las pulverizaciones de agua podrían alcanzar el motor a través de la abertura de la cubierta inferior del motor durante la navegación. La exposición del motor a dichas condiciones durante largos periodos de tiempo puede provocar graves daños en el motor.

ENOM00830-A

Pernos de montaje

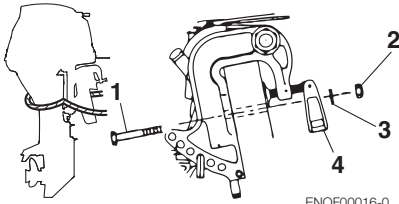
Modelos de inclinación manual

1. Para fijar el motor fueraborda a la embarcación, apriete los tornillos mordaza dando vuelta a sus manillas. Además, use los pernos para fijar los soportes del motor fueraborda en el tablero del espejo de popa. Asegure el motor fueraborda con una cuerda para prevenir su pérdida si cayera por la borda.

ENON00002-0

Nota

La cuerda no se incluye entre los accesorios estándar.



ENOF00016-0

- 1. Perno (8 x 85)
- 2. Tuerca
- 3. Arandela
- 4. Tornillo mordaza

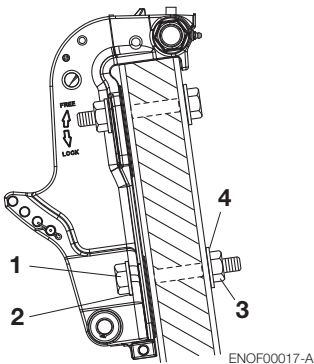
ENOW00945-0

⚠ PRECAUCIÓN

- Antes de salir, inspeccione si se ha producido un aflojamiento del tornillo mordaza o de los pernos de montaje.
- Un aflojamiento de estos elementos podría ocasionar una situación peligrosa, como la pérdida de control.

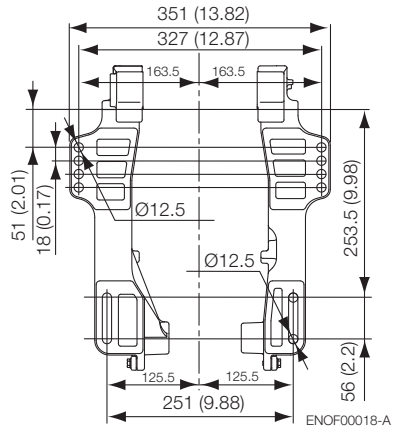
Tipo PTT

- 1. Para fijar el motor fueraborda a la embarcación, use los pernos para fijar los soportes del motor fueraborda en el tablero del espejo de popa.



ENOF00017-A

- 1. Perno (12 x 105)
- 2. Arandela (diámetro pequeño)
- 3. Tuerca
- 4. Arandela (diámetro grande)



ENOF00018-A

ENOW00008-A

⚠ PRECAUCIÓN

- Los pernos de montaje deben instalarse con la cabeza del perno en la superficie interior del espejo de popa. Los pernos de montaje instalados con el extremo roscado en el interior de la superficie del espejo de popa pueden provocar daños personales.
- Apriete los pernos suficientemente, ya que de lo contrario se podría caer del fueraborda.

ENON00003-0

Notas

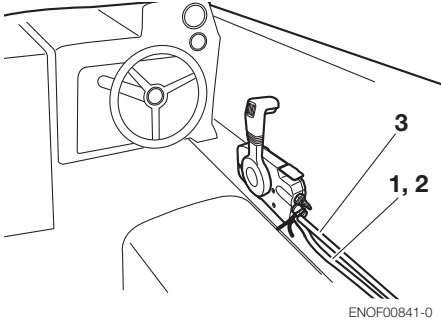
- 1. Antes de apretar los pernos aplique un agente de sellado, como silicona, entre los pernos y los agujeros en el espejo de popa.
- 2. Asegúrese de apretar las tuercas de los pernos de montaje con el par de apriete especificado.
(30 N·m (3.0 kgf·m) 13 ft·lb)

ENOM00840-0

2. Instalación del dispositivo de control remoto

ENOW00850-0

Ubicación de la caja de control remoto



ENOF00841-0

1. Cable del cambio
2. Cable del acelerador
3. Mazo de cables B

Instale la caja de control remoto en una posición a la que se pueda acceder fácilmente para manejar los controles. Asegúrese de que no hay obstáculos que puedan interferir en el funcionamiento del cable del control remoto.

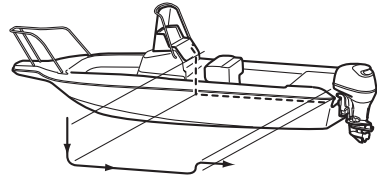
ENOW00850-0

Longitud del cable de control remoto

ENOW00100-A

⚠ PRECAUCIÓN

Procure no doblar los cables del control remoto hasta un diámetro de 406 mm (16 in.) o inferior. De hacerlo afectará a la duración del cable.



ENOF00842-0

Mida la distancia que hay de la caja de control remoto al motor fueraborda por donde se colocará el cable.

Prepare un cable 300-450mm (11.8-17.7in) más largo que la distancia medida. Presente el cable por donde vaya a ir para comprobar si es suficientemente largo.

Conecte el cable del control remoto al motor y, a continuación, llévelo hasta la caja de control, asegurándose de que no se dobla excesivamente, que no está demasiado tenso y que no hay obstáculos que puedan interferir con la dirección.

ENOM00029-A

3. Instalación de la batería

ENOW00012-0

⚠ ADVERTENCIA

El electrolito de la batería contiene ácido sulfúrico por lo que resulta peligroso y puede provocar quemaduras si entra en contacto con la piel, o resultar venenoso si se ingiere.

Mantenga la batería y el electrolito lejos del alcance de los niños.

Al manipular la batería, compruebe que:

- lee todas las advertencias mostradas en la cubierta de la batería.
- Evite que el electrolito entre en contacto con cualquier parte del cuerpo. El

contacto puede provocar quemaduras graves o, si entra en contacto con los ojos, pérdida de visión. Utilice gafas de seguridad y guantes de goma.

En caso de que el electrolito de la batería entre en contacto con:

- Piel, enjuague a fondo con agua.
- Ojos, enjuague a fondo con agua y, a continuación, busque asistencia médica de inmediato.

En caso de ingestión del electrolito de la batería:

- Busque asistencia médica de inmediato.

ENOW00013-A

 **ADVERTENCIA**

La batería genera gas hidrógeno explosivo. Asegúrese de que:

- Carga la batería en un lugar bien ventilado.
- Coloca la batería lejos de cualquier lugar que origine fuego, chispas o llamas, como quemadores o equipos de soldadura.
- No fume cerca de la batería cuando ésta se esté cargando.
- No cargue la batería cuando el nivel de electrolito es bajo. De lo contrario, la batería se podría dañar, lo que a su vez podría ocasionar un funcionamiento incorrecto.

ENOW00014-0

 **PRECAUCIÓN**

- Asegúrese de que los cables de la batería no quedan atrapados entre el motor fueraborda y la embarcación al girar, etc.
- El motor de arranque puede no funcionar si los cables están conectados de forma incorrecta.
- Asegúrese de que los cables (+) y (-) se conectan correctamente. De lo contrario, el sistema de carga se verá dañado.
- No desconecte los cables de la batería mientras el motor esté en

funcionamiento, las piezas eléctricas podrían resultar dañadas.

- Utilice siempre una batería totalmente cargada.

ENOW00015-0

 **PRECAUCIÓN**

No utilice una batería no recomendada. El uso de una batería no recomendada puede conllevar un mal rendimiento del sistema eléctrico o daños en el mismo.

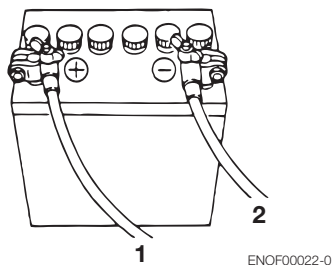
ENON00006-A

Nota

Batería recomendada: 12V 70Ah/5HR, 650 (Amperios de arranque marino en frío (CCA), en caso de tiempo frío: 12V100Ah/5HR (850CCA)) Las especificaciones y características de las baterías varían en función del fabricante. Consulte con el fabricante para obtener más detalles.

* La batería debe comprarse aparte. No se suministra con el motor fueraborda.

1. Coloque la caja de la batería en una posición cómoda lejos de posibles salpicaduras de agua. Fije firmemente la caja y la batería para que no se suelten.
2. Conecte el cable positivo (+) al borne positivo (+) de la batería. A continuación, conecte el cable negativo (-). Al desconectar la batería, extraiga siempre el cable negativo (-) en primer lugar. Después de conectar el borne positivo (+), coloque firmemente una tapa sobre él para evitar cortocircuitos.



1. Cable de batería (rojo)
2. Cable de batería (negro)

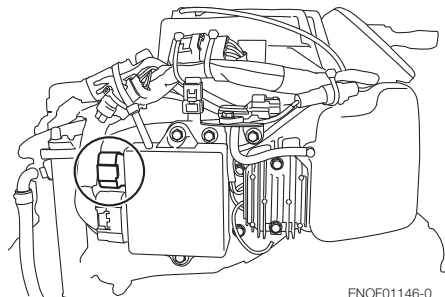
ENOF00022-0

5

ENOM00971-0

4. Instalación del TOCS (Tohatsu Onboard Communication System/Sistema de comunicaciones a bordo Tohatsu)

El acoplador de interfaz TOCS (Tohatsu Onboard Communication System// Sistema de comunicaciones a bordo Tohatsu) puede proporcionar información sobre la velocidad del motor, el consumo de combustible y diversas averías a través de un cable de interfaz opcional. Póngase en contacto con un distribuidor autorizado de Tohatsu para obtener más información.



ENOF01146-0

PREPARACIONES PREVIAS A LA PUESTA EN MARCHA DEL MOTOR

ENOM00030-A

1. Manipulación del combustible

ENOW000017-0



PRECAUCIÓN

El uso de una gasolina inadecuada puede dañar el motor. El daño en el motor provocado por el uso de una gasolina inadecuada se considera mal uso del motor y los daños que así se provoquen no estarán cubiertos por la garantía limitada.

ENOM00031-A

CLASIFICACIÓN DEL COMBUSTIBLE

Los motores TOHATSU funcionan de forma satisfactoria al usar una de las marcas principales de gasolina sin plomo que cumpla con las siguientes especificaciones:

EE.UU. y Canadá · con una clasificación de octanaje mínima de 87 (R+M)/2 indicada en el surtidor. La gasolina de alto octanaje (92 [R+M]/2 octanos) también es aceptable. No utilice gasolina con plomo.

Fuera de EE. UU. y Canadá · Utilice gasolina sin plomo con una clasificación de octanaje declarada de 91 RON o superior. También se permite el uso de gasolina de alto octanaje de 98 RON.

ENOM00032-A

GASOLINA CON ALCOHOL

Los componentes del sistema de combustible del motor TOHATSU soportan hasta un 10% de alcohol etílico (en adelante "etanol") de contenido en la gasolina. Pero si la gasolina de la zona contiene etanol inferior al 10%, deben considerarse ciertos efectos adversos que

pueden producirse. El aumento del porcentaje de etanol en el combustible también puede agravar los efectos adversos. Algunos de estos efectos adversos se producen porque el etanol de la gasolina puede absorber la humedad del aire, lo que provoca la separación del agua/etanol de la gasolina en el depósito de combustible.

Esto puede provocar un aumento de:

- Corrosión de las piezas de metal
- Deterioro de las piezas de goma o plástico
- Penetración del combustible a través de las líneas de combustible de goma
- Dificultades de arranque y funcionamiento

Si el uso de gasolina con alcohol es inevitable, o si sospecha de la presencia de alcohol en la gasolina, le recomendamos que incorpore un filtro que pueda separar el agua, y que compruebe con mayor frecuencia que el sistema de combustible no tenga fugas y que no haya corrosión en las piezas mecánicas ni que estén sometidas a un desgaste anormal. Y, en caso de que detecte dichas anomalías, deje de usar dicha gasolina y póngase inmediatamente en contacto con nuestro distribuidor.

Si el motor fueraborda se usará con poca frecuencia, consulte las observaciones sobre el deterioro del combustible en el capítulo ALMACENAMIENTO (P 84) para obtener información adicional.

ENOW00020-1

**PRECAUCIÓN**

Al utilizar un motor TOHATSU con gasolina con alcohol, se deberá evitar el almacenamiento de la gasolina en el depósito de combustible durante largos periodos de tiempo. Los largos periodos de almacenamiento, crean problemas específicos. En los coches, los combustibles con mezcla de alcohol normalmente se consumen antes de que puedan absorber suficiente humedad como para provocar problemas, pero las embarcaciones a menudo permanecen inactivas el tiempo suficiente para que se produzca la fase de separación. Además, se puede producir corrosión interna durante el almacenamiento si el alcohol elimina la película protectora de aceite de los componentes internos.

ENOW00018-0

**ADVERTENCIA**

Las fugas de combustible pueden provocar incendios o explosiones, y pueden suponer lesiones personales graves o mortales. Cada pieza del sistema de combustible debe ser verificada de forma periódica, y sobre todo tras un largo periodo de almacenamiento, en busca de fugas de combustible, cambios en la dureza de la goma, dilataciones y/o corrosión de metales. En caso de que se encuentren signos de fugas de combustible o degradación de las piezas, sustituya de inmediato la pieza correspondiente antes de seguir con el funcionamiento.

ENOM00043-B

2. Llenado de combustible

ENOW00019-1

**ADVERTENCIA**

No llene el depósito de combustible por encima de su capacidad. El aumento de la temperatura de la gasolina puede hacer que la gasolina se expanda, y podría producirse una fuga por el tornillo de aireación cuando se abra. Las fugas de gasolina suponen un gran peligro de incendio.

ENOW00028-A

**ADVERTENCIA**

Consulte con un distribuidor autorizado para obtener más información sobre manipulación de gasolina si fuera necesario.

La gasolina y sus vapores son muy inflamables y pueden ser explosivos.

Al transportar un depósito de combustible que contenga gasolina:

- Cierre la tapa del depósito de combustible y el tornillo de aireación de la tapa del depósito de combustible, o saldrá vapor de gasolina a través del tornillo de aireación, lo que supone un peligro de incendio.
- No fumar.

Antes y durante el repostaje de combustible:

- Asegúrese de eliminar la carga de electricidad estática en su cuerpo antes del repostaje de combustible.
- Las chispas que se producen como consecuencia de la electricidad estática podrían ocasionar la explosión de la gasolina inflamable.
- Detenga el motor y no lo arranque durante el repostaje de combustible.

- No fumar.
- Tenga cuidado de no sobrecargar el depósito de combustible. Limpie inmediatamente cualquier resto de gasolina que se haya derramado.

Antes y durante la limpieza del depósito de gasolina:

- Desmonte el depósito de combustible de la embarcación.
- Aleje el depósito de combustible de cualquier fuente de ignición, como chispas o llamas descubiertas.
- Realice la tarea en exteriores o en un área bien ventilada.
- Limpie inmediatamente la gasolina si ésta se derrama.
-

Después de limpiar el depósito de gasolina:

- Limpie inmediatamente la gasolina si ésta se derrama.
- Si ha desmontado el depósito de combustible para limpiarlo, vuelva a montarlo con cuidado. Un montaje incorrecto puede provocar una fuga de combustible, lo que podría provocar un incendio o una explosión.
- Elimine la gasolina que lleve mucho tiempo o esté contaminada de acuerdo con las normativas locales.

ENOW00029-A



ADVERTENCIA

Cuando abra la tapa del depósito de combustible, asegúrese de seguir el procedimiento descrito a continuación. El combustible podría salir a través de la tapa del depósito de combustible si dicha tapa se afloja utilizando un procedimiento distinto cuando la presión interior del depósito de combustible se eleva debido al calor procedente de fuentes como la luz solar.

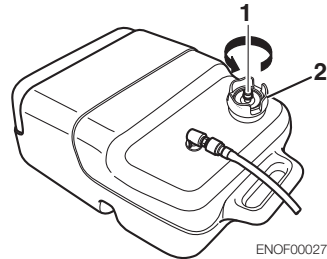
ENOW00946-0



PRECAUCIÓN

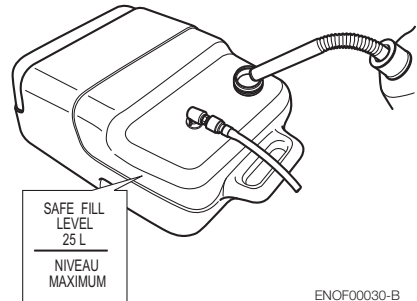
El depósito independiente se debe fijar en la posición correcta para que esté bien ventilado y para que el depósito no se mueva o se caiga durante el funcionamiento.

1. Abra por completo el tornillo de aireación de la tapa del depósito de combustible y libere la presión interior.



ENOF00027-A

1. Tornillo de aireación
 2. Tapa del depósito de combustible
2. Abra la tapa del depósito de combustible lentamente.
 3. Introduzca el combustible con cuidado para que no se derrame.



ENOF00030-B

- Tras llenar el depósito de combustible, cierre la tapa del mismo.

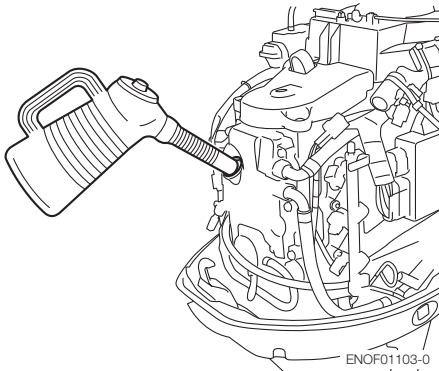
ENOM00037-A

3. Recomendación sobre el aceite para motor

ENOW00022-A

PRECAUCIÓN

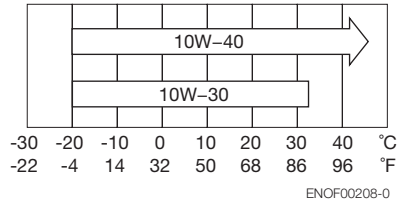
El aceite para motor se drena para su envío desde la fábrica. Asegúrese de llenar el motor hasta el nivel adecuado antes de arrancarlo. (Para llenar correctamente el motor con aceite siga las instrucciones, ver la página 71)



Utilice únicamente aceite de motor de 4 tiempos de gran calidad para garantizar el rendimiento y una vida útil prolongada del motor.

Se recomienda aceite para motores fueraborda con una viscosidad SAE de 10W-30 o 10W-40 FC-W.

También puede utilizar aceites que tengan la clasificación API de SH, SJ o SL. Seleccione la viscosidad adecuada, en función de la temperatura atmosférica, en el cuadro siguiente.



ENOW0002A-A

PRECAUCIÓN

El uso de aceites para motor que no cumplan estos requisitos supondrá una menor vida del motor y otros problemas con el motor.

JENOM00033-A

4. Acondicionamiento

Su nuevo motor fueraborda y la unidad inferior requieren un acondicionamiento para mover los componentes según las condiciones descritas en la siguiente tabla de tiempos.

Consulte la sección FUNCIONAMIENTO DEL MOTOR (ver la página 37) para saber cómo arrancar y manejar correctamente el motor fueraborda).

ENOW00024-A

PELIGRO

No active el motor fueraborda en un área cerrada o un área sin ventilación forzada. Los gases de combustión emitidos por este motor fueraborda contienen monóxido de carbono que resulta mortal si se inhala de manera continuada. La inhalación de gas, inicialmente provoca síntomas como náuseas, somnolencia y dolor de cabeza.

Durante la activación del motor fueraborda:

- Mantenga el área periférica bien ventilada.

- Intente permanecer siempre a contraviento de la emisión.

ENOW00023-1

PRECAUCIÓN

Activar el motor fueraborda sin el acondicionamiento puede acortar la vida útil del producto.

Si experimenta alguna anomalía durante el acondicionamiento:

- Interrumpa inmediatamente la operación.
- Su distribuidor debe comprobar el producto y tomar las medidas oportunas si fuera necesario.

ENON00008-0

Nota

Un acondicionamiento adecuado permite que el motor fueraborda funcione a pleno rendimiento durante un mayor tiempo.

	1-10 minutos	10 minutos · 2 horas	2 · 3 horas	3 · 10 horas	Después de 10 horas
Posición del acelerador	Ralentí	Menos de la mitad del acelerador	Menos de tres cuartas partes del acelerador	Tres cuartas partes del acelerador	Acelerador completo disponible
Velocidad		Aprox. 3000 min ⁻¹ (rpm) máx.	Se permite un ciclo de acelerador completo durante 1 minutos cada 10 minutos	Aprox. 4000 min ⁻¹ (rpm). Se permite un ciclo de acelerador completo durante 2 minutos cada 10 minutos.	

ENOM00039-0

5. Sistema de advertencia

Si el motor fueraborda encuentra una condición anómala de fallo, el avisador acústico de advertencia emitirá un tono continuo o varios tonos cortos intermitentes, la luz de advertencia (LED) se sincronizará con el avisador acústico y la velocidad del motor se limitará (el motor no se detendrá).

Consulte en la próxima página las condiciones que conllevan una situación anómala o fallo.

6

ENOM00040-A

Ubicación del avisador acústico y la luz de advertencia

■ Avisador acústico de advertencia

Modelo RC: se encuentra dentro del control remoto.

Modelo con caña de timón multifunción: Se encuentra en la caña del timón.

Modelo con caña de timón: Se encuentra en la cubierta del motor.

■ Luz de advertencia (LED)

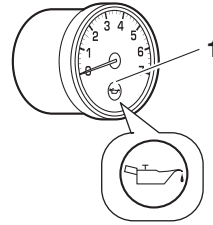
Modelo RC: Se encuentra en el tacómetro y en la cubierta inferior.

Modelos con caña de timón multifunción y con manilla de caña de timón: Se encuentra en la cubierta inferior.

ENON00009-A

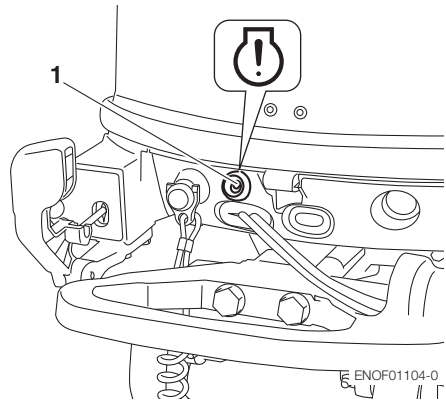
Nota

La luz de advertencia del tacómetro opcional se sincronizará con la luz de advertencia del lado del motor.



ENOF00851-A

1. Luz de advertencia



ENOF01104-0

1. Luz de advertencia

ENOM00041-B

Indicadores de advertencia, fallos y solución

Indicadores de advertencia				Descripción de los fallos	Solución
Sonido	Luz (LED)	ESG de baja velocidad	ESG de alta velocidad		
Un tono	Encendida durante 5 seg.			Prueba de sistema normal al arrancar	
Continuo	ENCENDIDA		ENCENDIDA	La velocidad del motor supera las RPM máximas permitidas	1
Continuo ^{*2}	ENCENDIDA ^{*2}	ENCENDIDA ^{*2}		Baja presión del aceite ^{*1}	2
Continuo	ENCENDIDA	ENCENDIDA		Exceso de temperatura en el agua de refrigeración	3
Tono corto intermitente ^{*2}	Parpadeante ^{*2}	ENCENDIDA ^{*2}		Temperatura del agua o sensor de MAP fuera de rango	4

Comentarios

*1: En este caso, el interruptor de presión del aceite está "ENCENDIDO".

*2: Si desea detener los indicadores de funcionamiento y restablecer el sistema de advertencia, es necesario detener el motor.

ESG (regulador electrónico de seguridad) de alta velocidad

El ESG de alta velocidad es un dispositivo que impide al motor pasarse de revoluciones. Si por algún motivo se aligera la carga del motor, funcionará a una velocidad superior a lo normal. En este caso, el avisador acústico suena y se activa el ESG para que no funcione la bujía, alterándose así la velocidad del motor y controlándose por debajo de 6300 min^{-1} (rpm).

ESG de baja velocidad

El ESG de baja velocidad es un dispositivo que sirve para prevenir daños en el motor. Si el motor tiene problemas en relación con el agua de refrigeración, la presión de aceite y los sensores, el ESG de baja velocidad se activa para que no funcione la bujía y para desactivar la alimentación de combustible, variando así la velocidad del motor, que queda controlado a menos de 2800 min^{-1} (rpm).

Solución

1. Reduzca el acelerador hasta menos de la mitad de apertura, desplácese hasta un lugar seguro rápidamente y detenga el motor.

Compruebe si las aspas de la hélice están dobladas o dañadas.

Consulte a un distribuidor autorizado si el motor muestra el mismo resultado incluso después de sustituir la hélice por una nueva.

2. Desplácese hasta un lugar seguro rápidamente y detenga el motor.

Compruebe el nivel de aceite para motor y añada aceite si fuera necesario.

Consulte a su distribuidor si el nivel de aceite para motor es demasiado bajo o demasiado elevado.

3. Desplácese hasta un lugar seguro rápidamente y compruebe la descarga de agua de refrigeración desde el orificio de comprobación de agua a ralentí y detenga el motor.

Extraiga cualquier cuerpo extraño de la caja de cambios y la hélice si fuera necesario. Consulte a un distribuidor autorizado si no se produce la descarga del agua de refrigeración.

4. Póngase en contacto con un distribuidor autorizado.

min⁻¹ (rpm) y el motor funcionará con dificultad hasta que se reduzca la aceleración.

ENOW00025-A

**PRECAUCIÓN**

- **ESG de baja velocidad ENCENDIDO: La velocidad del motor se limitará a 2800 min⁻¹ (rpm), sin embargo no deberá continuar haciendo funcionar el motor.**
- **ESG de alta velocidad ENCENDIDO: La velocidad del motor se limitará a 6300**

FUNCIONAMIENTO DEL MOTOR

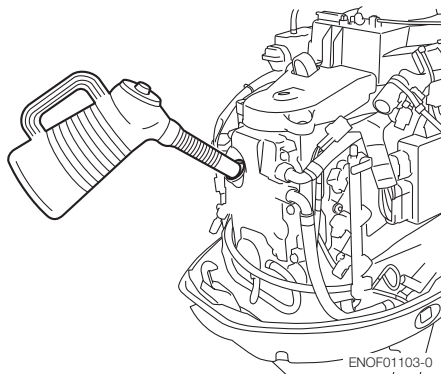
ENOM00042-0

Antes de arrancar

ENOW00022-A

⚠ PRECAUCIÓN

El aceite para motor se drena para su envío desde la fábrica. Asegúrese de llenar el motor hasta el nivel adecuado antes de arrancarlo. (Para llenar correctamente el motor con aceite siga las instrucciones.) Ver la página 66)



ENOW00027-A

⚠ PRECAUCIÓN

Antes de arrancar el motor por primera vez tras volver a montarlo o después de su almacenamiento fuera de temporada, desconecte el bloqueo del interruptor de parada y arranque unas 10 veces para cebar la bomba de aceite.

ENOM00044-A

1. Alimentación de combustible

ENOW00029-A

⚠ ADVERTENCIA

Cuando abra la tapa del depósito de combustible, asegúrese de seguir el

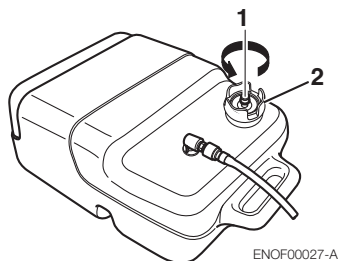
procedimiento descrito a continuación. El combustible podría salir a través de la tapa del depósito de combustible si dicha tapa se afloja utilizando un procedimiento distinto cuando la presión interior del depósito de combustible se eleva debido al calor procedente de fuentes como la luz solar.

ENOW00947-0

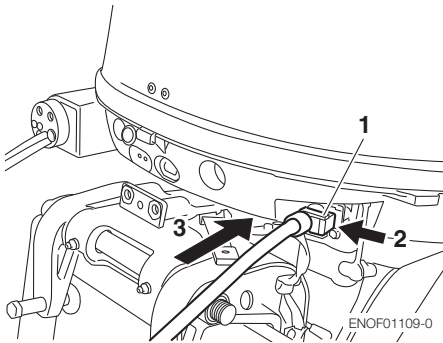
⚠ PRECAUCIÓN

Cuando se utilice un depósito independiente, asegúrese de que el circuito de combustible no está deformado y de que está correctamente conectado.

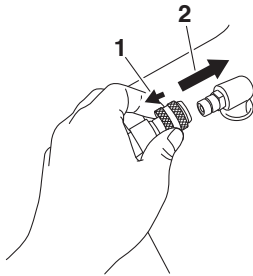
1. Abra por completo el tornillo de aireación de la tapa del depósito de combustible.



1. Tornillo de aireación
 2. Tapa del depósito de combustible
2. Abra la tapa del depósito de combustible lentamente y libere la presión interna por completo. Después, cierre el depósito de combustible.
 3. Conecte el conector de combustible al motor y el depósito de combustible.



1. Conector del combustible
2. Empuje
3. Inserte



1. Tire
2. Inserte
4. Apriete el bulbo de cebado hasta que esté rígido para alimentar el combustible al separador de vapor. Dirija la flecha hacia arriba al cebar.



1. Lado del motor
2. Lado del depósito de combustible

No apriete el bulbo de cebado con el motor funcionando o cuando el motor

fueraborda está inclinado hacia arriba. Se podría derramar combustible.

ENOW00045-A

2. Arranque del motor

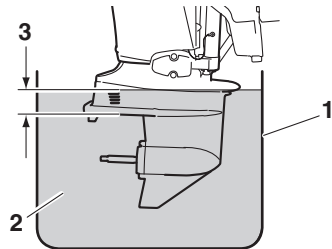
ENOW00036-A

PRECAUCIÓN

Para evitar el sobrecalentamiento y daños en la bomba de agua, cuando arranque el motor en el depósito de prueba asegúrese de que el nivel de agua está al menos 10 cm (4 in.) por encima de la placa anticavitación.

Y asegúrese de quitar la hélice cuando arranque el motor en el tanque de pruebas. (Ver la página 77)

Haga funcionar el motor al ralentí.



1. Tanque de pruebas
2. Agua
3. Más de 10 cm (4 in)

ENOF00863-0

ENOW00036-0

PRECAUCIÓN

Asegúrese de detener el motor inmediatamente si no sale agua por la puerta del agua de refrigeración y compruebe si el orificio de agua de refrigeración está obstruido. Manejar así el motor podría provocar un sobrecalentamiento o dañar el motor. Consulte con un distribuidor autorizado si no localiza la causa.

ENOW00032-A

⚠ PRECAUCIÓN

No gire el motor de arranque durante más de 5 segundos ya que podría consumir la batería, lo que podría impedir el arranque del motor y/o dañar el arranque.

Si el arranque durante 5 segundos no pone en marcha el motor, vuelva a colocar el interruptor principal en "ON" y arranque el motor nuevamente transcurridos 10 segundos como mínimo.

No intente arrancar después de haber puesto en marcha el motor.

Este modelo cuenta con protección de arranque con una marcha metida.

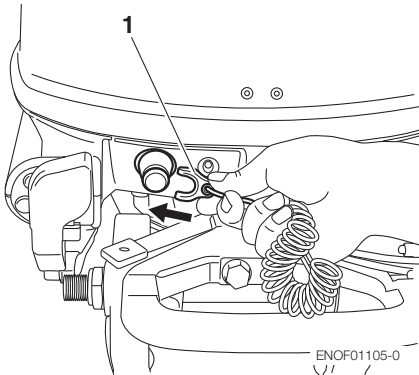
ENON00010-0

Nota

La protección de arranque con una marcha metida sólo permite arrancar con la palanca de cambio en Neutro. Si el motor se arranca con una marcha metida se moverá inmediatamente, lo que podría provocar alguna caída o que los pasajeros se cayeran por la borda.

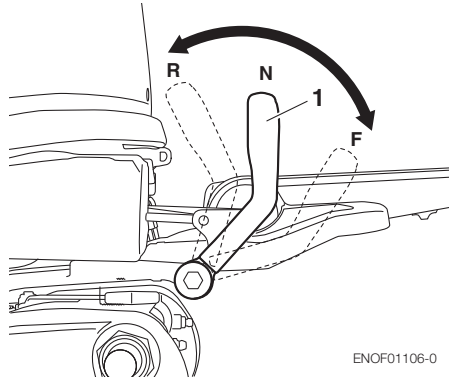
Tipo con caña de timón

1. Asegúrese de instalar el bloqueo del interruptor de parada y fije bien el acollador del interruptor al operador o al chaleco salvavidas.



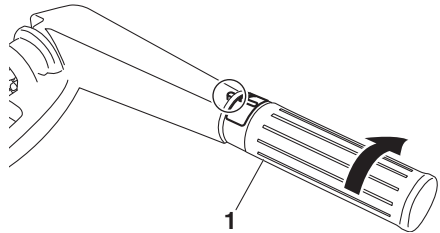
1. Bloqueo del interruptor de parada

2. Ponga la palanca de control en Punto muerto.



1. Palanca de cambio

3. Coloque la empuñadura del acelerador en la posición START.

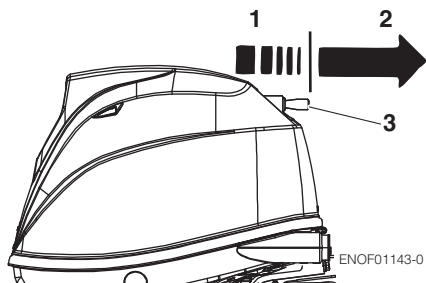


1. Empuñadura del acelerador

(Para el tipo de arranque manual)

Este motor está equipado con un mecanismo de liberación por compresión.

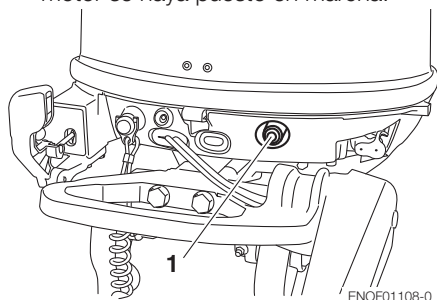
4. Tire del pomo de arranque hasta que note que engrana, siga tirando hasta que note menos resistencia. A continuación, tire rápidamente y repita si es necesario hasta que arranque.



1. Lentamente
2. Rápidamente
3. Pomo de arranque

(Para el tipo de arranque eléctrico)

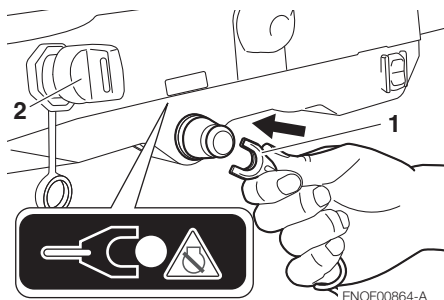
4. Presione el botón del interruptor de arranque y suelte el botón cuando el motor se haya puesto en marcha.



1. Botón de arranque

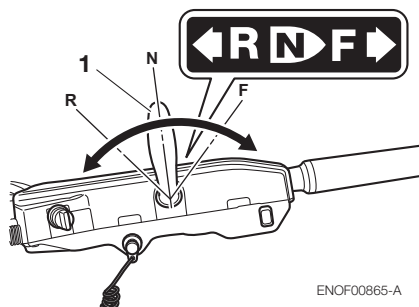
Caña de timón multifunción

1. Asegúrese de instalar el bloqueo del interruptor de parada y fije bien el acollador del interruptor al operador o al chaleco salvavidas.



1. Bloqueo del interruptor de parada
2. Llave del interruptor principal

2. Inserte la llave del interruptor principal.
3. Ponga la palanca de control en Punto muerto.



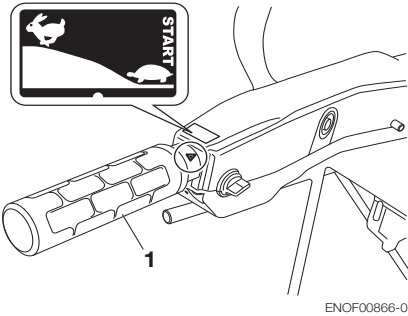
1. Palanca de cambio

ENOW00031-0

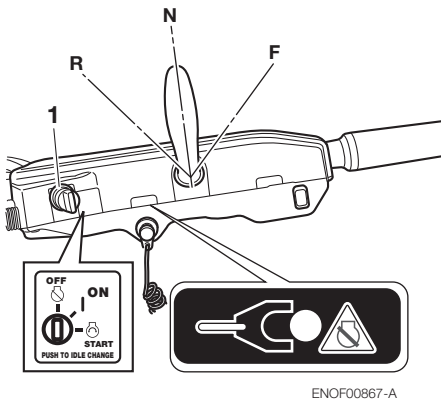
PRECAUCIÓN

Si el motor arranca con una marcha metida, no lo utilice. Póngase en contacto con un distribuidor autorizado.

- Coloque la empuñadura del acelerador en la posición START.



- Empuñadura del acelerador
- Gire la llave del interruptor principal hasta la posición ON, ponga la llave del interruptor principal en la posición START y suéltela cuando el motor haya arrancado.. La llave volverá a la posición original de forma automática.



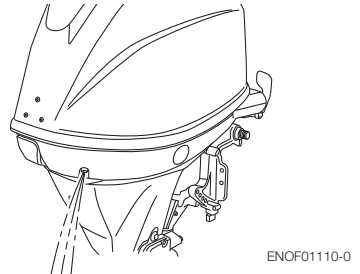
- Llave del interruptor principal

⚠ PRECAUCIÓN

No gire el motor de arranque durante más de 5 segundos ya que podría consumir la batería, lo que podría impedir el arranque del motor y/o dañar el arranque.

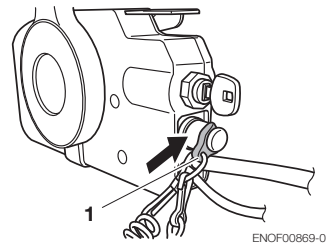
Si el arranque durante 5 segundos no pone en marcha el motor, vuelva a colocar el interruptor principal en "ON" y arranque el motor nuevamente transcurridos 10 segundos como mínimo.

- Compruebe el agua de refrigeración a través de la portilla de comprobación.

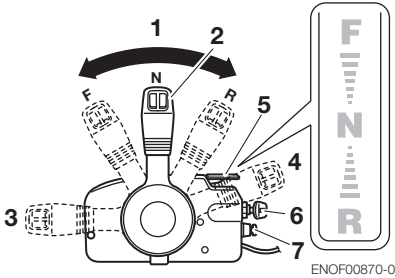


Tipo RC montado lateralmente

- Asegúrese de instalar el bloqueo del interruptor de parada y fije bien el acollador del interruptor al operador o al chaleco salvavidas.



- Bloqueo del interruptor de parada
- Inserte la llave del interruptor principal.
- Ponga la palanca de control en Punto muerto. No levante la palanca del acelerador libre al arrancar el motor.



1. Neutro (N)
2. Palanca de control
3. Totalmente abierta (adelante)
4. Totalmente abierta (marcha atrás)
5. Palanca del acelerador libre
6. Llave del interruptor principal
7. Interruptor de parada

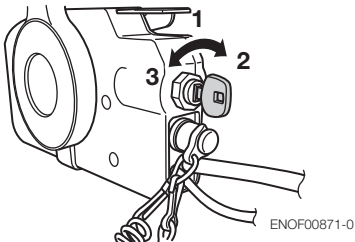
ENON00035-A

Nota

La palanca del acelerador libre no se puede elevar cuando el cambio de la palanca de control está en marcha hacia delante o hacia atrás.

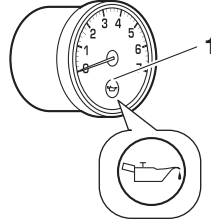
7

4. Gire la llave del interruptor principal hasta la posición ON.
5. Gire la llave del interruptor principal a la posición START y suéltela cuando el motor haya arrancado. Confirme que la luz de advertencia está encendida con el sonido del avisador acústico y que a continuación se apaga. La llave volverá a la posición original de forma automática.



ENOF00871-0

1. ENCENDIDA
2. START
3. OFF



ENOF00851-A

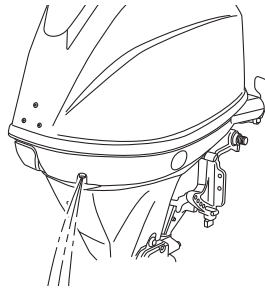
1. Luz de advertencia

ENON00035-A

Nota

La palanca del acelerador libre no se puede elevar cuando el cambio de la palanca de control está en marcha hacia delante o hacia atrás.

6. Compruebe el agua de refrigeración a través de la portilla de comprobación.



ENOF01110-0

ENOM00042-A

Arranque de emergencia

ENOW00099-A



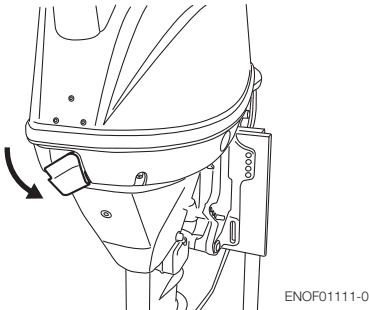
Quando se utilice la cuerda de arranque de emergencia para arrancar el motor:

- la protección de arranque con una marcha metida no funciona. Asegúrese de que la marcha está en punto muerto. De lo contrario, el motor moverá la

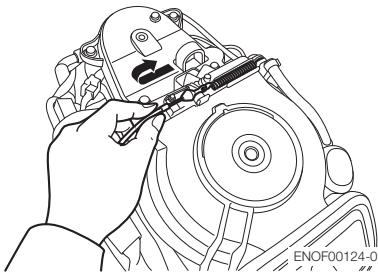
embarcación inmediatamente, pudiendo provocar lesiones personales.

- Tenga cuidado de que su ropa u otros objetos no se enganchen en las piezas giratorias del motor.
- Para evitar accidentes y lesiones por piezas giratorias, no vuelva a montar la cubierta del volante y la cubierta superior después de arrancar el motor.
- No tire de la cuerda de arranque si hay algún transeúnte detrás. Dicha acción podría lesionar al transeúnte.
- Fije el accionador del interruptor de parada del motor a la ropa o cualquier parte del cuerpo (como el brazo) antes de arrancar el motor.

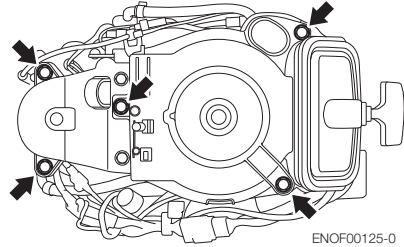
1. Retire la cubierta superior del motor.



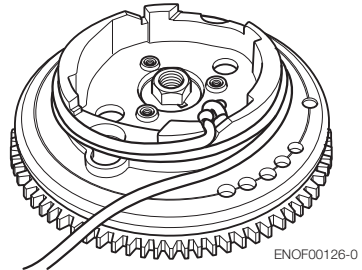
2. Extraiga el cable de bloqueo del arranque tirando de él.



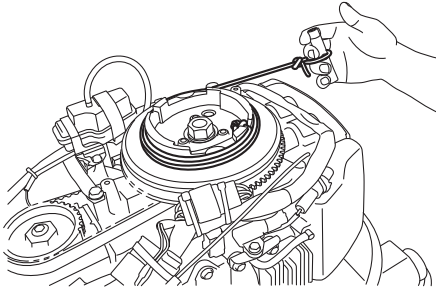
3. Saque los pernos (5 piezas) y extraiga el arrancador.



4. Inserte el extremo anudado de la cuerda de arranque en la muesca del volante y enrolle la cuerda varias veces alrededor del volante en el sentido de las agujas del reloj.



- Haga un lazo en el otro extremo de la cuerda de arranque de emergencia y una la llave de tubo incluida en el kit de herramientas.



JNOF01120-0

ENOW00860-0

PRECAUCIÓN

Asegúrese de mantener el arnés alejado de las piezas giratorias.

7

- Asegúrese de instalar el bloqueo del interruptor de parada y fije bien el acollador del interruptor al operador o al chaleco salvavidas.
- Ponga la palanca de control en Punto muerto.
- Tire del pomo de arranque hasta que note que engrana, siga tirando hasta que note menos resistencia. Entonces tire rápidamente.
- Después de arrancar el motor, no vuelva a colocar la cubierta del volante y la cubierta superior.

ENOM00043-A

3. Calentamiento del motor

ENOW00932-0

PRECAUCIÓN

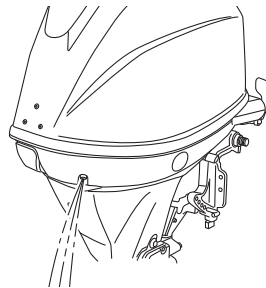
Durante el calentamiento, asegúrese de que el agua de refrigeración esté saliendo por la portilla de comprobación del agua de refrigeración.

Caliente el motor a bajas velocidades durante aproximadamente

3 minutos: por encima de 5 °C (41°F)

5 minutos a 2000 min⁻¹ (rpm) : por encima de 5 °C (41°F)

Esto permite que el aceite de lubricación circule por todas las partes del motor. El funcionamiento del motor sin calentamiento previo acorta la vida del mismo.



ENOF01110-0

ENOM00044-0

Velocidades del motor

Velocidad de ralentí después del calentamiento.

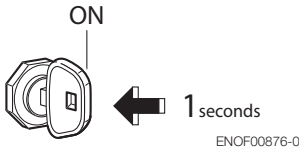
Comentario: En caso de arranque con el motor frío, la velocidad de ralentí aumenta aproximadamente 400 min⁻¹ (rpm) durante varios minutos.

Embragado (con una marcha metida)	Desembragado (sin una marcha metida)
850 min ⁻¹ (rpm)	850 min ⁻¹ (rpm)

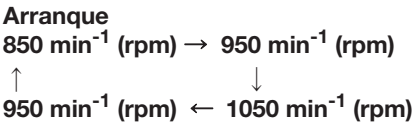
ENOM00880-0

Función de control de la velocidad de caceo del motor (excepto para el tipo con caña de timón normal)

Si se pulsa la llave del interruptor principal durante 1 (un) segundo funcionando en ralentí o a velocidad de caceo, cambian las revoluciones del motor.



Cada vez que se pulsa la llave del interruptor principal del anterior modo, la velocidad cambia como se indica a continuación.



El avisador acústico suena brevemente una vez cuando se ajusta la velocidad a 850 min⁻¹ (rpm), indicando que se ha ajustado la velocidad más baja del motor. El avisador acústico suena brevemente dos veces cuando se ajusta la velocidad a 1050 min⁻¹ (rpm), indicando que se ha ajustado la velocidad más alta del motor. Reinicia la velocidad del motor después de volver a arrancar el motor o si la velocidad está por encima de 3.000 min⁻¹ (rpm). A

continuación la velocidad de caceo deberá ser de 850 min⁻¹ (rpm) de forma estándar. Además, esta función no es válida cuando si la tensión de la batería es mejor que la especificada. Ajusta la velocidad de ralentí y de caceo del motor a 850 min⁻¹ (rpm) automáticamente.

ENOM00046-A

4. Hacia adelante, hacia atrás y aceleración

ENOW00037-0

ADVERTENCIA

Antes de cambiar a Hacia delante o Hacia atrás, asegúrese de que la embarcación esté debidamente amarrada y el motor fueraborda pueda virar totalmente a derecha e izquierda. Asegúrese de que no haya personas nadando a proa y ni a popa de la embarcación.

ENOW00038-A

ADVERTENCIA

- Enganche el otro extremo del acollador del interruptor de parada de emergencia al chaleco salvavidas o al brazo del operador y manténgalo enganchado mientras esté navegando.
- No enganche el cable a ninguna parte de la ropa que pueda desgarrarse con facilidad si se produjera un tirón.
- Coloque el cable de modo que no pueda quedar cogido por ningún objeto si recibe un tirón.
- Tenga cuidado de no tirar accidentalmente del cable mientras navegue. Una parada accidental del motor puede provocar una pérdida de control del motor fueraborda. La pérdida rápida de potencia del motor puede

provocar alguna caída o que los pasajeros se caigan por la borda.

ENOW00042-0

⚠ ADVERTENCIA

- No cambie a Marcha atrás durante planeo, o perderá el control, con el consecuente peligro de lesiones personales, de inundación de la embarcación y/o el posible daño del casco.
- Cuando esté navegando, no cambie nunca a Marcha atrás, o podría perder el control, cayéndose o provocando la caída de los pasajeros por la borda. Esto supone graves lesiones personales y que el sistema de dirección y/o el mecanismo de cambio puedan sufrir daños.

resultar difícil volver a neutro. En ese caso, pare el motor, cambie a neutro y vuelva a arrancar el motor para que caliente.

ENON00014-0

Nota

Cambiar frecuentemente a adelante o marcha atrás puede acelerar el desgaste o la degradación de las piezas. En dicho caso, cambie el aceite para engranajes antes de lo especificado.

ENOW00864-0

⚠ PRECAUCIÓN

No aumente la velocidad del motor innecesariamente cuando el cambio esté en posición de punto muerto o de marcha atrás. Se podrían producir daños en el motor.

ENOW00861-0

⚠ ADVERTENCIA

No cambie nunca con una velocidad alta de la embarcación o podría perder el control, cayéndose o provocando la caída de los pasajeros por la borda. Esto provocaría graves lesiones personales.

ENOW00862-0

⚠ PRECAUCIÓN

Si intenta cambiar con el motor a gran velocidad pueden producirse daños en la dirección y el embrague. El motor debe estar en la posición de ralentí antes de tratar de cambiar.

ENOW00863-0

⚠ PRECAUCIÓN

La velocidad al ralentí puede ser mayor durante el calentamiento del motor. Si cambia el motor a marcha hacia delante o hacia atrás cuando está calentando, puede

ENOM00890-A

Tipo con caña de timón

ENOW00865-0

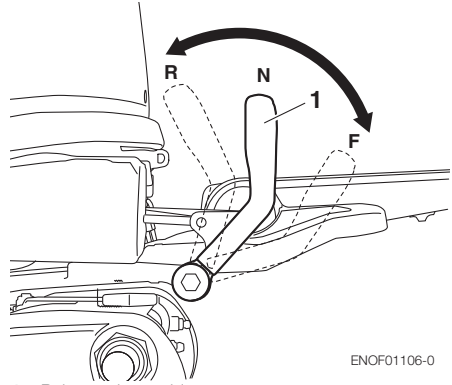
⚠ PRECAUCIÓN

No fuerce el cambio cuando la empuñadura del acelerador no esté en la posición totalmente cerrada. Se podría dañar el mecanismo de cambio o el sistema de dirección. La palanca de control no funcionará a menos que la empuñadura del acelerador esté totalmente cerrada. (Tipo con caña de timón multifunción)

ENOW00867-0

⚠ ADVERTENCIA

Una aceleración y desaceleración repentina puede hacer que los pasajeros se caigan en la embarcación o se caigan por la borda.



1. Palanca de cambio

ENOF01106-0

Hacia adelante

1. Gire la empuñadura del acelerador para reducir la velocidad del motor.
2. Cuando el motor alcance la velocidad de caceo (o ralenti), tire rápidamente de la palanca de cambio hacia la posición Hacia adelante.

7

Marcha atrás

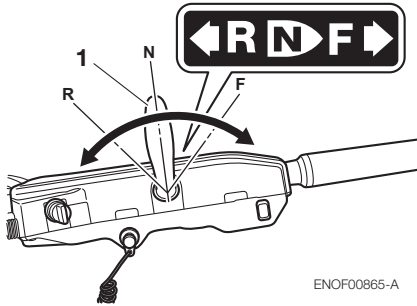
1. Gire la empuñadura del acelerador para reducir la velocidad del motor.
2. Cuando el motor alcance la velocidad de caceo (o ralenti), tire rápidamente de la palanca de cambio hacia la posición Hacia atrás.

Aceleración

ENOW00867-0

⚠ ADVERTENCIA

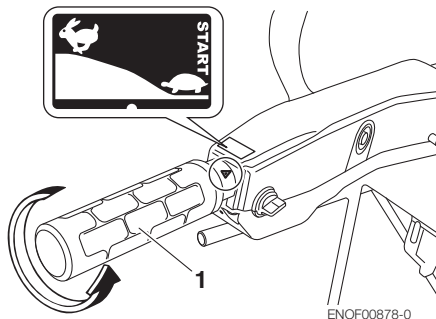
Una aceleración y desaceleración repentina puede hacer que los pasajeros se caigan en la embarcación o se caigan por la borda.



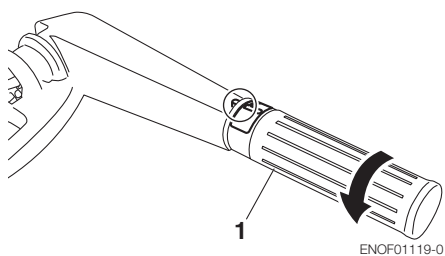
1. Palanca de cambio

ENOF00865-A

Abra la empuñadura del acelerador gradualmente.



1. Empuñadura del acelerador



1. Empuñadura del acelerador

ENOM0900-0

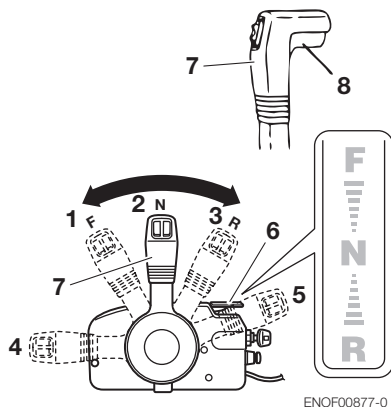
Tipo RC montado lateralmente

ENOW00867-0



ADVERTENCIA

Una aceleración y desaceleración repentina puede hacer que los pasajeros se caigan en la embarcación o se caigan por la borda.



1. Adelante (F)
2. Neutro (N)
3. Marcha atrás (R)
4. Totalmente abierta (adelante)
5. Totalmente abierta (marcha atrás)
6. Palanca del acelerador libre
7. Palanca de control
8. Botón de bloqueo

Hacia adelante

1. Empuje rápidamente la palanca de control hacia los 32° de la posición Hacia adelante (F), donde la marcha se conecta, mientras eleva el botón de bloqueo ubicado debajo de la manilla de la palanca de control.
2. Si se sigue moviendo hacia adelante se abrirá el acelerador.

Marcha atrás

1. Tire rápidamente la palanca de control hacia los 32° de la posición Marcha atrás (R), donde la marcha se conecta, mientras eleva el botón de bloqueo ubicado debajo de la manilla de la palanca de control.
2. Si se sigue moviendo hacia atrás se abrirá el acelerador.

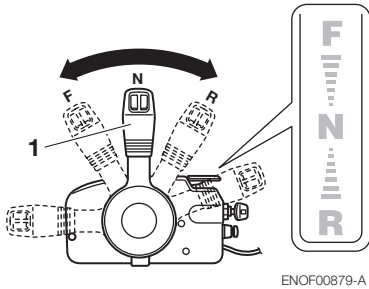
Aceleración

ENOW00867-A

PRECAUCIÓN

Una aceleración y desaceleración repentina puede hacer que los pasajeros se caigan en la embarcación o se caigan por la borda.

Abra la palanca de control gradualmente.



ENOF00879-A

1. Palanca de control

ENOM00049-A

5. Parar el motor

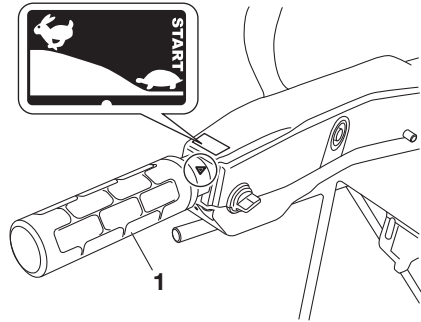
ENOW00868-0

ADVERTENCIA

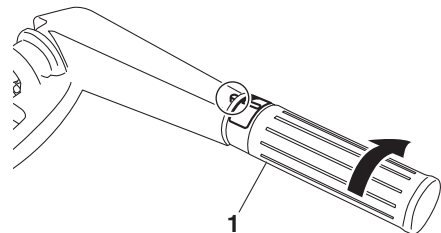
Procure no extraer el acollador del interruptor de parada del motor por accidente mientras la embarcación está en movimiento. Una parada repentina del motor puede provocar la pérdida del control de dirección. También puede provocar pérdida de velocidad de la embarcación, lo que podría hacer que la tripulación o los objetos de la embarcación fueran lanzados hacia adelante debido a la inercia.

Tipo con caña de timón

1. Gire la empuñadura del acelerador a la posición lenta.



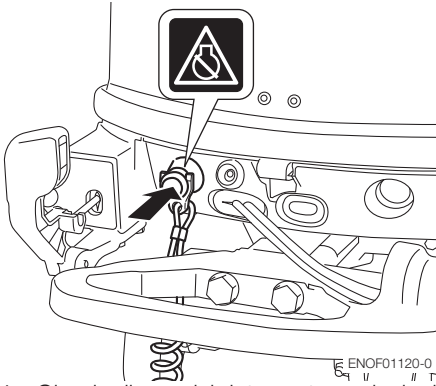
ENOF00866-0



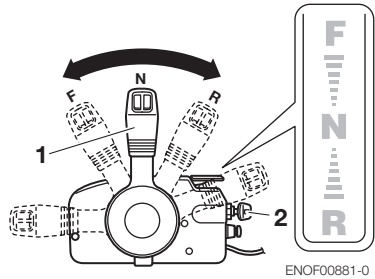
ENOF01107-0

1. Empuñadura del acelerador

2. Ponga la palanca de cambio en Neutro.
Si el motor ha estado funcionando a toda velocidad, hágalo funcionar durante 2-3 minutos en velocidad al ralentí para enfriarlo.
3. Presione el interruptor de parada durante unos segundos para parar el motor.

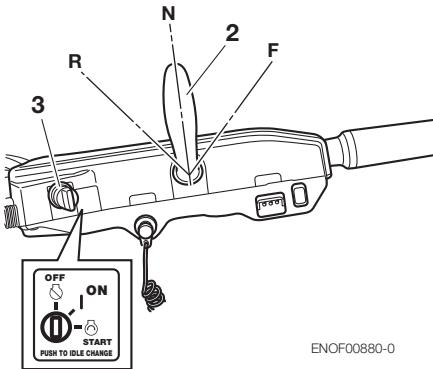


4. Gire la llave del interruptor principal hasta la posición OFF o presione el interruptor de parada. (No olvide girar la llave hasta la posición OFF).



2. Gire la llave del interruptor principal hasta la posición OFF o presione el interruptor de parada. (No olvide girar la llave hasta la posición OFF).

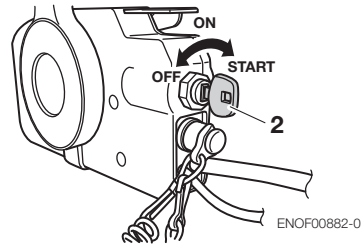
7



1. Empuñadura del acelerador
2. Palanca de cambio
3. Llave del interruptor principal

Tipo RC montado lateralmente

1. Coloque la palanca de control en punto muerto y deje que el motor funcione durante 2-3 minutos a ralentí si ha estado funcionando a toda velocidad.



1. Palanca de control
2. Llave del interruptor principal

ENOW00869-0

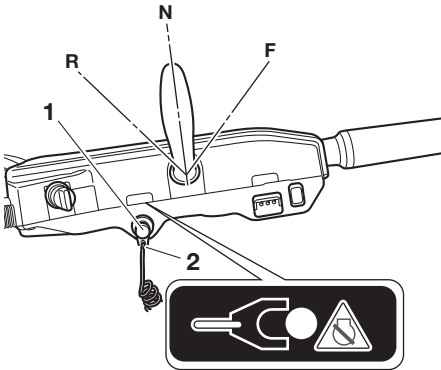
⚠ ADVERTENCIA

Después de parar el motor:

- Cierre el tornillo de aireación de la tapa del depósito de combustible.
- Desconecte el conector de combustible del motor y del depósito de combustible.
- Desconecte el cable de la batería después de cada uso.

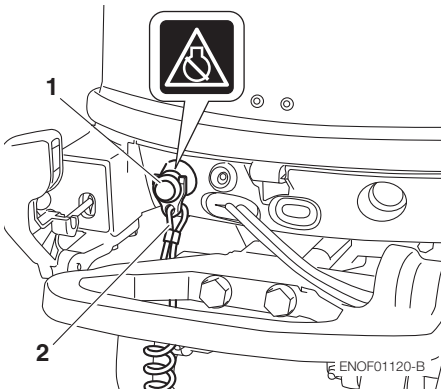
Parada de emergencia del motor

Retire el bloqueo del interruptor de parada para parar el motor.

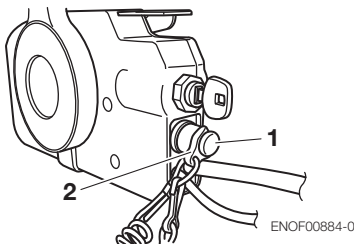


ENOF00883-A

- 1. Interruptor de parada
- 2. Bloqueo del interruptor de parada



ENOF01120-B



ENOF00884-0

- 1. Interruptor de parada

- 2. Bloqueo del interruptor de parada

ENOM00910-0

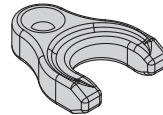
Bloqueo de repuesto del interruptor de parada de emergencia

En la bolsa de herramientas se encuentra un bloqueo de repuesto del interruptor de parada de emergencia.

Cuando se utiliza como se describe, el gancho del interruptor de parada de emergencia y el sistema del acollador del interruptor de parada de emergencia paran el motor cuando el operador pierde los controles.

Si un operador se cae al agua, asegúrese de usar el bloqueo de repuesto del interruptor de parada de emergencia.

Antes de empezar a operar, asegúrese de que el bloqueo de repuesto del interruptor de parada de emergencia está en la bolsa de herramientas.



ENOF00891-0

ENOM00920-0

6. Dirección

ENOW00870-0

⚠ ADVERTENCIA

Un cambio de dirección repentino puede hacer que los pasajeros se caigan o se caigan por la borda.

Tipo con caña de timón

Giro a la derecha

Mueva la caña del timón a la izquierda.

Giro a la izquierda

Mueva la caña del timón a la derecha.



ENOF00892-0

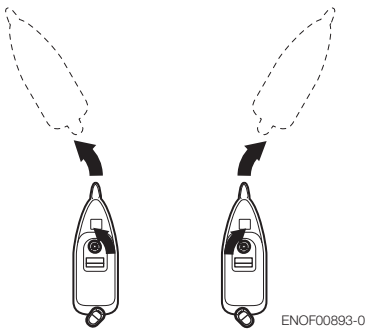
Tipo de control remoto

Giro a la derecha

Mueva el volante a la derecha.

Giro a la izquierda

Mueva el volante a la izquierda.



ENOF00893-0

ENOM00050-0

7. Ángulo de inclinación

ENOW00043-A

⚠ ADVERTENCIA

- **Ajuste el ángulo de inclinación cuando el motor esté parado.**
- **No ponga ni la mano ni el dedo entre el cuerpo del motor fueraborda y la sujeción de popa cuando ajuste el**

ángulo de inclinación para evitar lesiones en caso de que el cuerpo del motor fueraborda se caiga.

- **Una posición de inclinación incorrecta puede provocar la pérdida de control de la embarcación. Cuando pruebe una posición de inclinación, haga funcionar la embarcación lentamente al principio para ver si puede controlarla con seguridad.**

ENOW00044-0

⚠ ADVERTENCIA

El trimado excesivo hacia arriba o hacia abajo puede hacer que el manejo de la embarcación sea inestable, pudiendo dificultar el manejo de la misma y pudiendo provocar un accidente mientras navega.

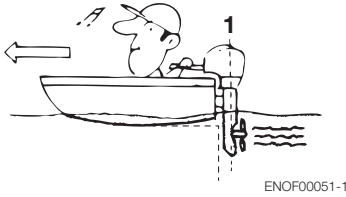
- **No navegue a la máxima velocidad si sospecha que la posición de inclinación puede ser incorrecta. Detenga la embarcación para reajustar el ángulo de trimado antes de seguir navegando.**
- **Para el modelo de motor fueraborda con PTT, suba la cubierta inferior del motor, no toque el interruptor mientras navega, o podría perder el control de la embarcación.**

El ángulo de inclinación del motor fueraborda puede ajustarse de acuerdo al ángulo del espejo de popa del barco, y a las condiciones de carga. Elija un ángulo de inclinación adecuado lo cual permitirá que la placa anticavitación quede paralela a la superficie del agua durante el funcionamiento.

ENOM00052-0

Ángulo de inclinación correcto

La posición de perno de fijación de empuje es la correcta si el casco está horizontal durante el funcionamiento.



ENOF00051-1

1. Perpendicular a la superficie del agua.

ENOM00053-0

Ángulo de inclinación incorrecto (la proa se eleva demasiado)

Si la proa de la embarcación se eleva sobre la horizontal, ajuste más bajo el perno de fijación de empuje.



ENOF00052-0

ENOM00054-0

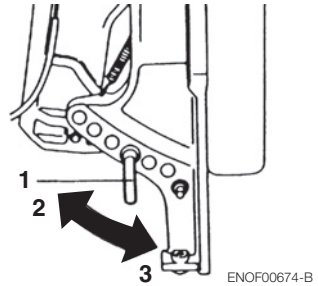
Ángulo de inclinación incorrecto (la proa se sumerge en el agua)

Si la proa de la embarcación está por debajo de la horizontal, ajuste más alto el perno de fijación de empuje.



ENOF00053-0

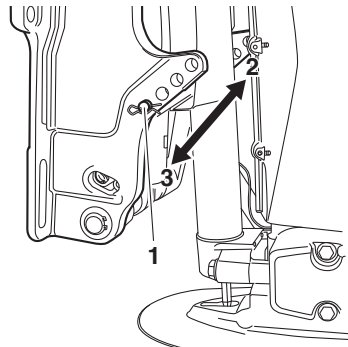
■ Modelos con inclinación manual



ENOF00674-B

1. Perno de fijación
2. Más alto
3. Más bajo

■ Modelos con equipo motorizado de inclinación



ENOF00888-0

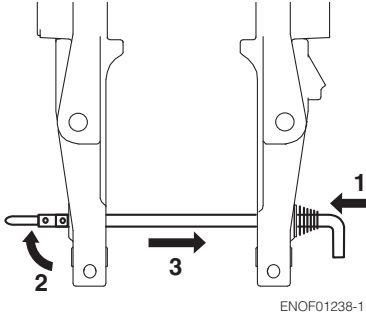
1. Perno de fijación
2. Más alto
3. Más bajo

Ajuste del ángulo de inclinación (modelos con inclinación manual)

El ajuste del ángulo de inclinación

1. Pare el motor.
2. Cambie a punto muerto (N).
3. Levante el fueraborda hasta la posición inclinada hacia arriba.

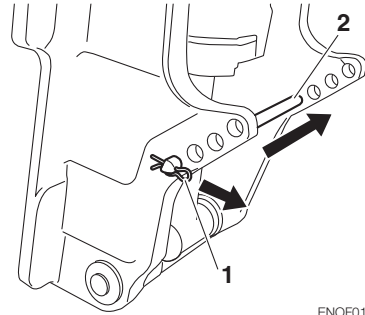
- Cambie la posición de perno de fijación de la manera indicada en la siguiente imagen.



ENOF01238-1

- Presione
 - Levante el retén
 - Tire
- Reinstale correctamente el perno de fijación.
 - Baje suavemente el fueraborda.

- Cambie la posición del pasador de bloqueo de la manera indicada en la siguiente imagen.



ENOF01147-0

- Pasador de presión
 - Perno de fijación
- Reinstale correctamente el perno de fijación.
 - Utilice el interruptor del equipo motorizado de inclinación e incline el motor fueraborda hacia abajo.

7

Ajuste del ángulo de inclinación (modelos con equipo motorizado de inclinación)

El ajuste del ángulo de inclinación

1. Pare el motor
2. Utilice el interruptor del equipo motorizado de inclinación e incline el motor fueraborda hacia arriba.
3. Bloquee la inclinación con el retén de inclinación.

ENOM00060-A

8. Inclinación hacia arriba y hacia abajo

ENOW00055-0

⚠ ADVERTENCIA

No incline hacia arriba ni hacia abajo el motor fueraborda cuando haya nadadores o pasajeros cerca para prevenir que resulten atrapados entre el cuerpo del motor fueraborda y la sujeción de popa en caso que el motor fueraborda caiga.

ENOW00048-0

⚠ ADVERTENCIA

Al inclinar hacia arriba o hacia abajo, tenga cuidado de no poner la mano entre la sujeción de la bisagra y la sujeción de la popa.

Asegúrese de inclinar lentamente el motor fueraborda.

ENOW00056-A

⚠ ADVERTENCIA

Cuando suba el motor fueraborda con la junta de combustible durante más de unos minutos, asegúrese de desconectar la manguera de combustible, o podría producirse una fuga de combustible, con el consecuente peligro de incendio.

ENOW00057-0

⚠ PRECAUCIÓN

No incline hacia arriba el motor fueraborda mientras el mismo está funcionando porque no habrá alimentación de agua de refrigeración, causando agarrotamiento del motor debido a sobrecalentamiento.

ENON00921-0

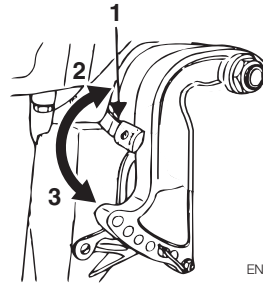
Nota

Antes de inclinar hacia arriba el motor fueraborda, después de parar el motor, déjelo en la posición de navegación normal durante un minuto para dejar que el agua salga del interior del motor.

ENOM00062-0

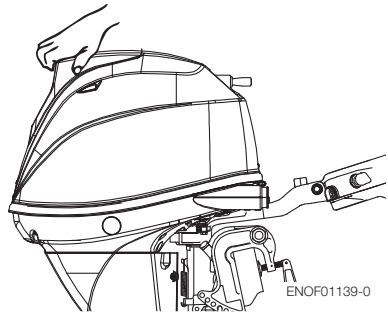
Modelos con inclinación manual
Inclinación hacia arriba

Empuje hacia abajo la palanca de bloqueo de marcha atrás hasta que pare. (Esta es la posición inclinada hacia arriba.) Ahora, incline completamente hacia arriba el motor fueraborda hasta que quede bloqueado en su lugar.



ENOF00059-0

1. Palanca de bloqueo de marcha atrás
2. Posición inclinada hacia arriba
3. Posición inclinada hacia abajo

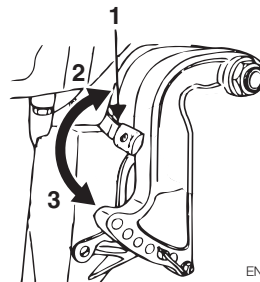


ENOF01139-0

ENOM00063-0

Inclinación hacia abajo

Tire hacia arriba de la palanca de bloqueo de marcha atrás hasta que pare. (Esta es la posición inclinada hacia abajo.) Ahora, levante ligeramente el motor fueraborda, y entonces permita que la gravedad lo baje por usted.



ENOF00059-0

1. Palanca de bloqueo de marcha atrás
2. Posición inclinada hacia arriba
3. Posición inclinada hacia abajo

ENOM00069-B

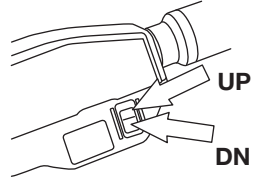
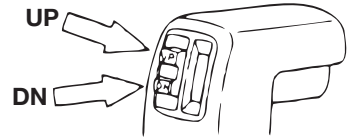
Modelos con equipo motorizado de inclinación

Inclinación hacia arriba

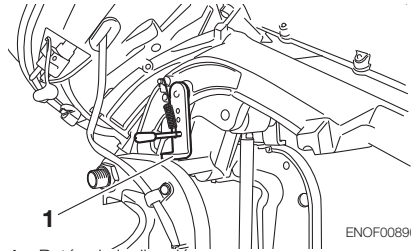
1. Utilice el interruptor del equipo motorizado de inclinación e incline el motor fueraborda hacia arriba.
2. Bloquee la inclinación con el retén de inclinación una vez que haya inclinado el motor fueraborda hacia arriba.

Inclinación hacia abajo

1. Suelte el retén de inclinación desde la posición de preparación mientras inclina ligeramente hacia arriba el motor fueraborda.
2. Accione el interruptor del equipo motorizado de e incline hacia abajo el motor fueraborda hasta que toque la varilla de fijación.



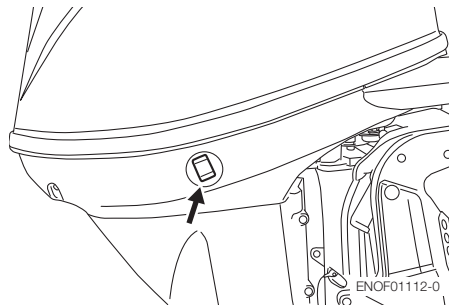
ENOF00067-1



1. Retén de inclinación

ENOF00890-0

El motor fueraborda también se puede inclinar hacia arriba y hacia abajo mediante el interruptor incluido debajo de la cubierta inferior.



ENOF01112-0

Se puede inclinar hacia arriba o hacia abajo a pesar de que el interruptor principal esté "ON" (encendido) u "OFF" (apagado).

ENOM00940-0

Válvula de alivio manual

Si la batería está agotada y por tanto el interruptor del equipo motorizado de inclinación no funciona, abra por completo la válvula manual en la dirección manual. Esto le permitirá inclinar el motor fueraborda de forma manual.

ENOW00872-0

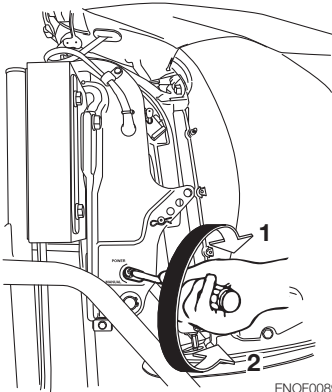
⚠ ADVERTENCIA

Antes de poner en marcha el motor fueraborda, asegúrese de que la válvula de alivio manual está cerrada. Si no está cerrada, el motor se inclinará hacia arriba al ponerse en marcha atrás.

ENOW00873-0

⚠ ADVERTENCIA

Antes de abrir la válvula de alivio manual, asegúrese de que no hay nadie debajo del motor fueraborda. Si el motor fueraborda está inclinado hacia arriba, golpeará repentinamente hacia abajo si la válvula de alivio manual está suelta en la dirección "Manual".



ENOF00892-0

- 1. Potencia
- 2. Manual

ENOM00068-A

9. Funcionamiento en aguas poco profundas

ENOW00051-0

⚠ ADVERTENCIA

Al navegar por aguas poco profundas, tenga cuidado de no poner la mano entre la sujeción de la bisagra y la sujeción de la popa. Asegúrese de inclinar lentamente el motor fueraborda.

ENOW00053-0

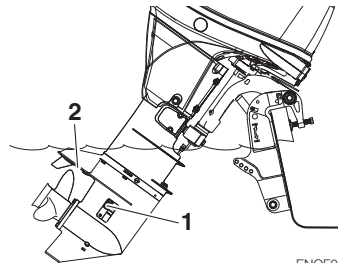
⚠ PRECAUCIÓN

En la posición de navegación por aguas poco profundas, no use el motor fueraborda en marcha atrás. Use el motor fueraborda a baja velocidad y mantenga sumergida la entrada de agua de refrigeración.

ENOW00054-0

⚠ PRECAUCIÓN

No incline más de lo necesario el motor fueraborda al navegar en aguas poco profundas porque podría succionarse aire a través de la toma de agua sumergida, lo cual puede causar el sobrecalentamiento del motor.



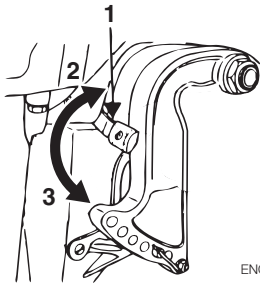
ENOF01144-0

- 1. Toma de agua
- 2. Toma de agua sumergida

Modelos de inclinación manual

1. Posición para navegar en aguas poco profundas:

Coloque la palanca de bloqueo de marcha atrás en la posición inclinada hacia arriba, e incline hacia arriba el motor fueraborda para colocarlo en la posición para navegar en aguas poco profundas.

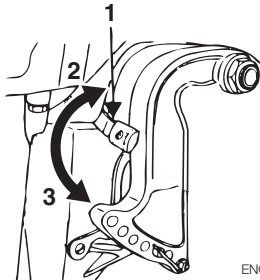


ENOF00059-0

1. Palanca de bloqueo de marcha atrás
2. Posición inclinada hacia arriba
3. Posición inclinada hacia abajo

2. Regreso a la posición de navegación normal:

Coloque la palanca de bloqueo de marcha atrás en la posición inclinada hacia abajo, levante ligeramente el motor fueraborda, y luego bájelo.



ENOF00059-0

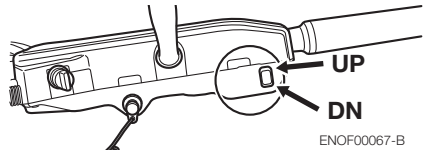
1. Palanca de bloqueo de marcha atrás

2. Posición inclinada hacia arriba
3. Posición inclinada hacia abajo

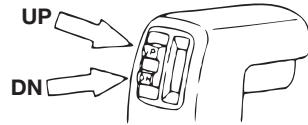
ENOM00069-A

Modelos con equipo motorizado de inclinación

1. Utilice el interruptor del equipo motorizado de inclinación e incline el motor fueraborda hacia arriba en la posición de navegación por aguas poco profundas que desee.



ENOF00067-B



ENOF00067-0

RETIRAR Y TRANSPORTAR EL MOTOR FUERABORDA

ENOM00070-A

1. Retirar el motor fueraborda

ENOW00890-0

⚠ ADVERTENCIA

Antes de instalar el motor fueraborda en la embarcación, cuelgue el motor con una grúa u otro dispositivo similar fijando el soporte del motor al fueraborda.

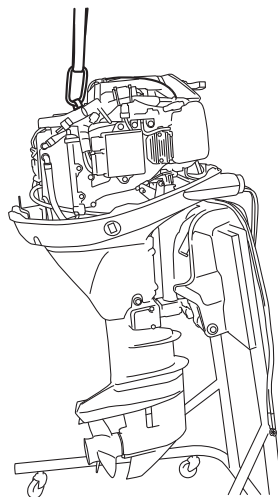
Utilice una grúa con una capacidad de carga de 150 kg (330 lbs) o más.

ENOW00064-0

⚠ PRECAUCIÓN

El motor puede estar caliente inmediatamente después del funcionamiento y pudiera causar quemaduras si se le toca. Permita que el motor se enfríe antes de intentar su transporte.

1. Pare el motor.
2. Retire la cubierta superior del motor.
3. Desconecte el conector del combustible, los cables del control remoto y de la batería del motor fueraborda.
4. Sujete los ganchos de elevación al soporte del motor.
5. Retire el motor fueraborda de la embarcación y extraiga toda el agua de la caja de cambios.



ENOF01102-0

ENOM00071-A

2. Transportar el motor fueraborda

ENOW00933-0

⚠ ADVERTENCIA

Asegúrese de desconectar el conector de combustible salvo cuando el motor esté funcionando.

Las fugas de combustible suponen un peligro de incendio o de explosión, y pueden suponer lesiones personales graves o mortales.

ENOW00065-0

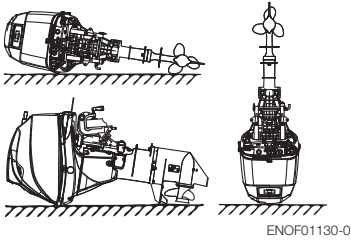
⚠ ADVERTENCIA

Cierre el tornillo de aireación del depósito de combustible antes de transportar o guardar el motor fueraborda y el depósito de combustible, o podría producirse una fuga de combustible que podría provocar un incendio.

ENOW00066-0

⚠ PRECAUCIÓN

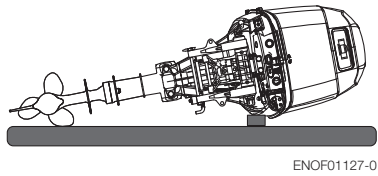
- El motor fueraborda no debe recibir golpes durante el transporte. Pueden hacer que se rompa.
- No transporte ni almacene el motor fueraborda en cualquiera de las posiciones descritas debajo. De lo contrario, puede causarse daño al motor o a la propiedad debido a la fuga de aceite.



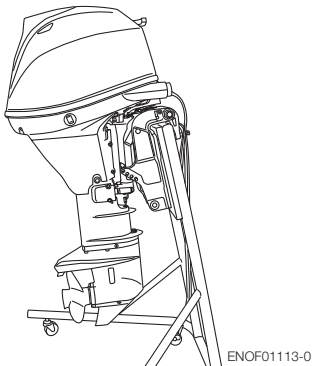
ENON00021-A

Nota

- Si fuera necesario acostar el motor, asegúrese de drenar el combustible y el aceite para motor y de que el lado de babor quede hacia abajo como se muestra en el diagrama debajo.
- Para evitar derrame de aceite, eleve el equipo de potencia de 2 a 4 pulgadas mientras realice el transporte.



8 Al transportar el motor fueraborda manténgalo en una posición vertical. Se recomienda usar el soporte opcional del motor fueraborda para mantenerlo en posición vertical tanto durante el transporte como en el almacenamiento.



ENOM00072-A

3. Remolque

ENOW00072-0

⚠ PRECAUCIÓN

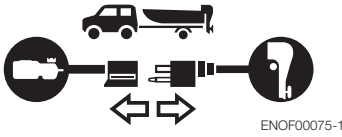
Si el motor está levantado cuando se remolca la embarcación, se pueden producir daños en el motor fueraborda, la embarcación, etc.

ENOW00073-A

⚠ ADVERTENCIA

Asegúrese de desconectar el conector de combustible salvo cuando el motor esté funcionando.

Las fugas de combustible suponen un peligro de incendio o de explosión, y pueden suponer lesiones personales graves o mortales.



ENOW00068-0

⚠ ADVERTENCIA

Cierre el tornillo de aireación del depósito de combustible y la llave de combustible antes de transportar o guardar el motor fueraborda y el depósito de combustible, o podría producirse una fuga de combustible que podría provocar un incendio.

ENOW00071-0

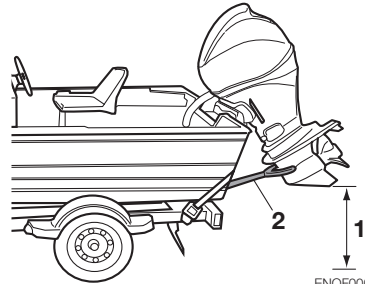
⚠ PRECAUCIÓN

El dispositivo de soporte de inclinación suministrado con el motor fueraborda no está diseñado para remolque. Está destinado para sostener el motor fueraborda mientras la embarcación está atracada, varada, etc.

Quando transporte una embarcación en un remolque sin el motor fueraborda colocado, desconecte antes el circuito de combustible del fueraborda y manténgalo en la posición normal de navegación o sobre una barra protectora del espejo de popa.

Tipo con caña de timón

Para evitar que el motor fueraborda se mueva cuando esté en una embarcación que se transporte en un remolque, apriete bien la palanca de fricción de la dirección (page 58).



ENOF00073-A

1. Deberá existir una separación suficiente con el suelo.
2. Barra protectora del espejo de popa

ENOW00067-0

⚠ ADVERTENCIA

No se coloque debajo de un motor fueraborda inclinado incluso si está soportado por una barra de soporte, o podría producirse una caída accidental del motor fueraborda causando lesiones personales graves.

AJUSTE

ENOM00073-0

1. Fricción de la dirección

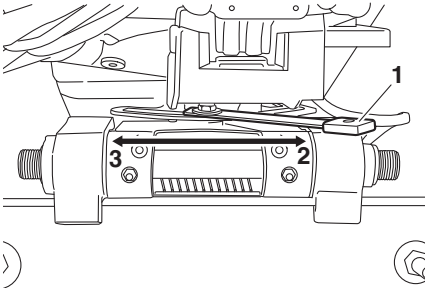
Tipo con caña de timón

ENOW00074-A

⚠ ADVERTENCIA

No apriete excesivamente la palanca de fricción de la dirección porque esto puede causar dificultad del movimiento, ocasionando pérdida de control que a su vez puede provocar un accidente y puede causar lesiones graves.

Ajuste esta palanca para lograr la fricción de dirección (resistencia) deseada en la manilla de la caña del timón. Mueva la palanca hacia (2) para reducir la fricción y muévala hacia (3) para aumentarla.



1. Palanca de fricción de la dirección
2. Reducir
3. Aumentar

ENOM00074-A

2. Fricción de la empuñadura del acelerador

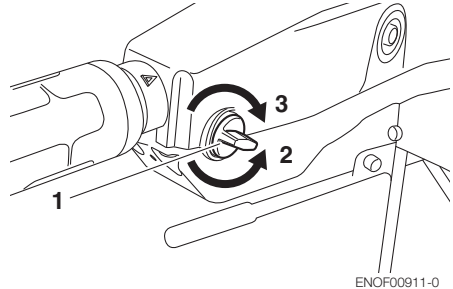
ENOW00074-B

⚠ ADVERTENCIA

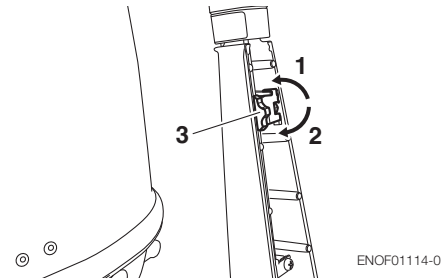
No apriete excesivamente el tornillo de ajuste del acelerador porque esto puede causar dificultad del movimiento, ocasionando pérdida de control que a su vez puede provocar un accidente y puede causar lesiones graves.

vez puede provocar un accidente y puede causar lesiones graves.

El ajuste de la fricción de la empuñadura del acelerador se puede realizar mediante el tornillo de ajuste del acelerador.



1. Tornillo de ajuste de la fricción del acelerador
2. Reducir
3. Aumentar



1. Reducir
2. Aumentar
3. Tornillo de ajuste de la fricción del acelerador

ENOM00075-0

3. Fricción de la palanca del control remoto

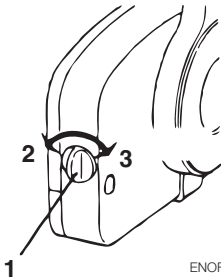
ENOW00074-C

⚠ ADVERTENCIA

No apriete excesivamente el tornillo de ajuste de la fricción del acelerador del control remoto porque esto puede causar dificultad del movimiento, ocasionando pérdida de control que a su vez puede provocar un accidente y puede causar lesiones graves.

Para ajustar la fricción de la palanca del control remoto, gire el tornillo de ajuste de la fricción del acelerador situado en la parte delantera del control remoto. Gire en el sentido de las agujas del reloj para aumentar la fricción y en el sentido contrario para disminuirla.

Tipo montado lateralmente



ENOF00078-0

1. Tornillo de ajuste de la fricción del acelerador
2. Reducir
3. Aumentar

ENOM00076-0

4. Ajuste de la aleta de estabilidad

ENOW00076-1

⚠ ADVERTENCIA

- Asegúrese de que el motor fueraborda esté asegurado al espejo de popa o al soporte de servicio, o podría producirse una caída accidental del motor fueraborda y lesiones personales graves.
- Asegúrese de bloquear el motor fueraborda si el mismo está inclinado hacia arriba, o podría producirse una caída accidental del motor fueraborda y lesiones personales graves.
- No se coloque bajo un motor fueraborda subido y bloqueado o podría producirse una caída accidental del motor fueraborda y lesiones personales graves.

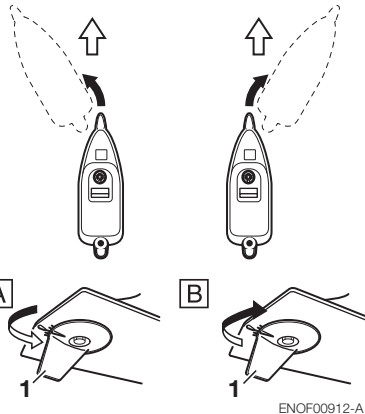
ENOW00075-1

⚠ ADVERTENCIA

Un ajuste inapropiado de la aleta de estabilidad podría provocar problemas de dirección. Después de instalar o reajustar la aleta de estabilidad, compruebe si la carga de dirección es pareja.

Si no logra navegar en línea recta, ajuste la aleta de estabilidad ubicada debajo de la placa anticavitación.

- Si la embarcación vira hacia la izquierda, dirija la aleta de estabilidad hacia A (izquierda desde la parte posterior de la embarcación).
- Si la embarcación vira hacia la derecha, dirija la aleta de estabilidad hacia B (derecha desde la parte posterior de la embarcación).



ENOF00912-A

1. Aleta de estabilidad

ENON00022-A

Notas

- Después del ajuste, apriete con seguridad el perno de fijación de la aleta de estabilidad.
- Compruebe con regularidad si el perno o la aleta de estabilidad están flojos.

INSPECCIÓN Y MANTENIMIENTO

ENOM00077-0

Cuidado de su motor fueraborda

Para mantener su fueraborda en las mejores condiciones de funcionamiento, es muy importante realizar un mantenimiento diario y periódico según se sugiere en los calendarios de mantenimiento siguientes.

ENOW00077-0



PRECAUCIÓN

- Su seguridad personal y la de sus pasajeros depende de lo bien que se efectúe el mantenimiento del motor fueraborda. Cumpla minuciosamente todos los procedimientos de inspección y mantenimiento que se describen en esta sección.
- Los intervalos de mantenimiento descritos en la lista de comprobaciones se refieren a un motor fueraborda con un uso normal. Si utiliza su motor fueraborda en condiciones extremas, como la navegación frecuente a todo gas o la navegación en agua salobre, las tareas de mantenimiento deben efectuarse a intervalos más cortos. Si tiene alguna duda, consulte con su proveedor.
- Recomendamos encarecidamente utilizar exclusivamente piezas de repuesto originales para su motor. La garantía no cubre las reparaciones de los daños provocados por el uso de piezas distintas de las originales.

ENOM00079-0

1. Inspección diaria

Realice las siguientes comprobaciones antes y después de utilizar el motor.

ENOW00078-1



ADVERTENCIA

No utilice el motor fueraborda si detecta cualquier anomalía durante la comprobación previa a su utilización, o podrían producirse daños graves en el motor o lesiones personales graves.

Elemento	Comprobaciones	Solución
Sistema de combustible	<ul style="list-style-type: none"> · Compruebe el nivel del depósito. · Compruebe si hay restos de suciedad o agua en los filtros del combustible. · Compruebe si las mangueras de goma tienen fugas de combustible. 	Rellenar Limpiar o sustituir si es necesario Sustituir de ser necesario
Tapa del depósito de combustible	<ul style="list-style-type: none"> · Compruebe si la tapa del depósito de combustible tiene grietas, fugas o daños. · Compruebe si la junta tiene grietas o daños. · Compruebe si hay fugas cuando esté completamente cerrada. · Compruebe el rendimiento del trinquete. 	Sustituir de ser necesario Sustituir de ser necesario Sustituir de ser necesario Sustituir de ser necesario
Aceite para motor	<ul style="list-style-type: none"> · Compruebe el nivel de aceite. 	Rellenar aceite
Equipo eléctrico	<ul style="list-style-type: none"> · Compruebe si el interruptor principal funciona con normalidad. · Compruebe si el nivel de electrolito y la densidad de la batería son normales. · Compruebe si se han aflojado las conexiones a los terminales de la batería. · Compruebe que el interruptor de parada funciona normalmente y asegúrese de que el bloqueo del interruptor de parada está en su sitio. · Revise los cables por si hubiese alguna conexión floja o algún cable dañado. · Compruebe si las bujías están sucias, gastadas o tuvieran carbonilla acumulada. · Compruebe el avisador acústico de advertencia (un tono) y la luz LED de advertencia (ENCENDIDA entre 5 y 7 segundos) al arrancar. 	Sustituir de ser necesario Rellenar o recargar Reapretar Arreglar o sustituir si es necesario Corregir o sustituir si es necesario Limpiar o sustituir si es necesario Reparar
Arrancador	<ul style="list-style-type: none"> · Compruebe si la cuerda está desgastada o raspada. · Compruebe si el trinquete está engranado. 	Sustituir de ser necesario Sustituir de ser necesario
Sistema de embrague y hélice	<ul style="list-style-type: none"> · Compruebe que el embrague enganche correctamente al operar la palanca de cambio. · Revise visualmente si las aspas de la hélice están dobladas o dañadas. · Compruebe que la tuerca de la hélice está apretada y que el pasador hendido esté en su sitio. 	Ajustar Sustituir de ser necesario Apretar o cambiar

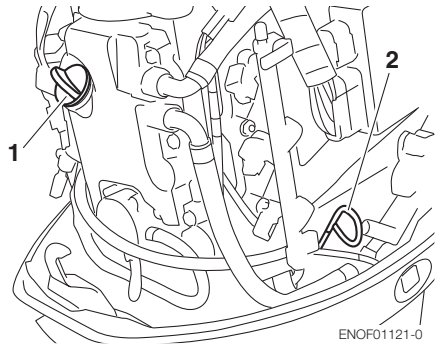
Elemento	Comprobaciones	Solución
Instalación del motor	<ul style="list-style-type: none"> · Compruebe todos los pernos fijando el motor a la embarcación. · Compruebe la instalación de perno de fijación. 	Apretar Sustituir de ser necesario
Equipo motorizado de inclinación	<ul style="list-style-type: none"> · Compruebe el funcionamiento de la inclinación arriba y abajo del motor. 	Reparar
Agua de refrigeración	<ul style="list-style-type: none"> · Compruebe que sale agua por la portilla de comprobación del agua de refrigeración después de arrancar el motor. 	Reparar
Herramientas y repuestos	<ul style="list-style-type: none"> · Compruebe la presencia de las herramientas y repuestos necesarios para cambiar las bujías, la hélice, etc.. · Compruebe que tiene la cuerda de repuesto y el bloqueo del interruptor de parada. 	Orden Orden
Dispositivos de dirección	<ul style="list-style-type: none"> · Compruebe el funcionamiento de la manilla de dirección. 	Reparar
Otras piezas	<ul style="list-style-type: none"> · Compruebe si el ánodo está instalado correctamente. · Compruebe si el ánodo presenta signos de corrosión o deformación. 	Reparar si procede Cambiar

ENOM0081-A

Comprobación del nivel de aceite

Si el nivel de aceite es bajo o demasiado alto, su vida útil se verá reducida de forma considerable.

1. Detenga el motor y colóquelo en vertical.
2. Retire la cubierta superior del motor.
3. Retire la varilla de nivel después de que el motor lleve parado 5 minutos.
4. Limpie el aceite de la varilla de nivel con un trapo limpio.
5. Introduzca la varilla de nivel.
6. Saque la varilla de nivel y compruebe el nivel de aceite.
7. Vuelva a colocar la varilla de nivel.



ENOF01121-0

1. Tapón de llenado
2. Varilla de nivel



ENOF00081-0

1. Nivel superior 1800 mL
2. Nivel inferior 1600 mL

ENOM00024-0

Nota

El nivel de aceite se debe comprobar cuando el motor está frío.

ENON00025-0

Nota

Consulte con un distribuidor autorizado si el aceite para motor presenta un color lechoso o parece estar contaminado.

ENOM00082-A

Rellenado del aceite para motor

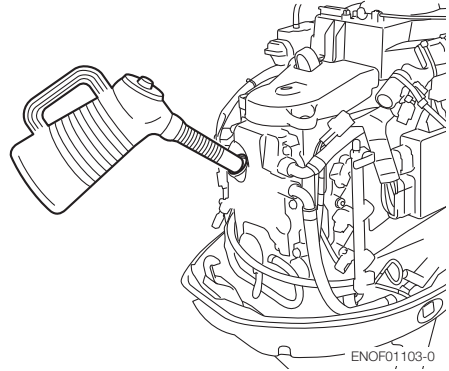
ENOW00079-A

⚠ PRECAUCIÓN

- No añada aceite para motor de una marca o grado distintos al que ya tiene. En caso de añadir un aceite para motor de otra marca o grado, drene todo el aceite y consulte su tratamiento a un distribuidor.
- En caso de introducir en la cámara de aceite otro elemento distinto al aceite para motor (como gasolina), vacíe la cámara y consulte a un distribuidor cómo proceder.
- Cuando rellene el aceite para motor, no deje que entren elementos extraños como polvo o agua en la cámara de aceite.
- Si se derrama, limpie bien el aceite para motor inmediatamente y tírelo de acuerdo con la normativa local de prevención de incendios y de protección del medioambiente.
- No llene el aceite para motor por encima del límite superior. Si llena en exceso, extraiga el aceite hasta el límite superior. Si el aceite para motor está por encima del límite superior, puede producirse una fuga y dañar el motor.

Si el nivel de aceite es bajo o está en su marca mínima, añada el aceite recomendado hasta llegar a la marca

media de la varilla de nivel.



ENOM00083-B

Lavado del motor fueraborda

ENOW00081-0

⚠ ADVERTENCIA

No arranque el motor sin quitar la hélice, o una activación accidental de la hélice podría provocar lesiones personales.

ENOW00082-0

⚠ ADVERTENCIA

No arranque nunca ni active el motor en interiores ni en ningún espacio que no esté bien ventilado. El gas de combustión contiene monóxido de carbono, un gas incoloro e inodoro que puede resultar mortal si se inhala durante largos periodos de tiempo.

ENOW00920-0

⚠ PRECAUCIÓN

Cuando lave el motor fueraborda, tenga cuidado de no rociar agua dentro de la cubierta superior, especialmente en los componentes eléctricos.

ENON00026-0

Nota

Se recomienda comprobar las propiedades químicas del agua en la que vaya a usar con más asiduidad su motor fueraborda.

Si el motor fueraborda se utiliza en agua salada, agua salobre o agua con un alto nivel de acidez, utilice agua dulce para eliminar la sal, productos químicos o barro. Y vacíe el conducto de agua de refrigeración después de cada navegación o antes de guardar el motor fueraborda por largo tiempo. Antes de lavar, retire la hélice y el soporte de tracción de proa.

ENOM00085-A

Accesorio de enjuague

ENOW00921-0

⚠ PRECAUCIÓN

No accione el motor cuando enjuague el fueraborda con el accesorio de enjuague porque podría dañarlo.

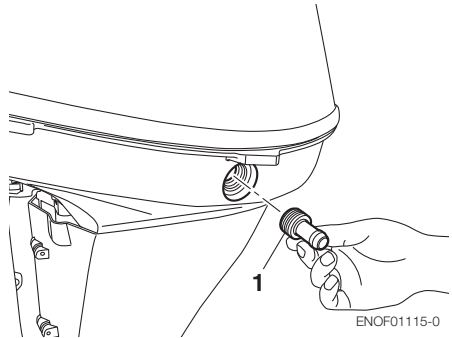
ENOW00922-0

⚠ PRECAUCIÓN

Para impedir que el motor arranque cuando esté cerca de la hélice, quite el bloqueo del interruptor de parada.

1. Inclíne hacia abajo el motor fueraborda.
2. Quite el tapón del conector de enjuague del motor fueraborda, y enrosque el accesorio de enjuague.
3. Conecte una manguera de agua. Deje salir el agua y ajuste el flujo.
Siga enjugando el motor fueraborda de 3 a 5 minutos.

4. Después del enjuague, asegúrese de volver a colocar el tapón del conector de enjuague.
5. Inclíne hacia arriba el motor fueraborda.



1. Accesorio de enjuague

ENOM00085-A

Enjuague mediante tanque de pruebas

ENOW00081-0

⚠ ADVERTENCIA

No arranque el motor sin quitar la hélice, o una activación accidental de la hélice podría provocar lesiones personales.

ENOW00082-0

⚠ ADVERTENCIA

No arranque nunca ni active el motor en interiores ni en ningún espacio que no esté bien ventilado. El gas de combustión contiene monóxido de carbono, un gas incoloro e inodoro que puede resultar mortal si se inhala durante largos periodos de tiempo.

ENOW00036-A

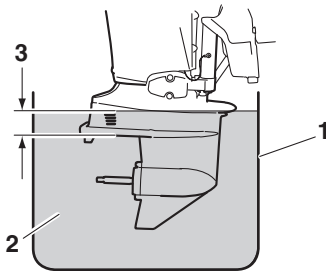
⚠ PRECAUCIÓN

Para evitar el sobrecalentamiento y daños en la bomba de agua, cuando arranque el

motor en el depósito de prueba asegúrese de que el nivel de agua está al menos 10 cm (4 in.) por encima de la placa anticavitación.

Y asegúrese de quitar la hélice cuando arranque el motor en el tanque de pruebas. (Ver la página 77)

Haga funcionar el motor al ralentí.



ENOF00863-0

1. Tanque de pruebas
2. Agua
3. Más de 10 cm (4 in)

ENOM00950-0

Cambio de fusibles

ENOW00923-0

⚠ PRECAUCIÓN

Antes de cambiar un fusible, desconecte el cable de la batería del borne negativo (-). De no hacerlo puede producirse un cortocircuito.

ENOW00924-0

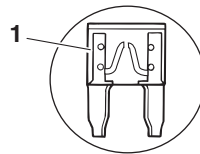
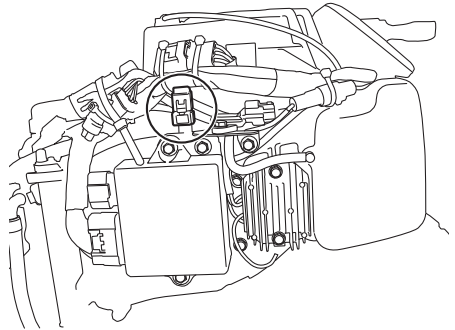
⚠ PRECAUCIÓN

No utilice nunca fusibles de un valor superior al especificado puesto que se podrían producir graves daños en el sistema eléctrico.

y corríjala. Si no se corrige la causa que ha motivado el problema, probablemente el fusible se fundirá de nuevo.

Si el fusible sigue fundiéndose, pida que inspeccione el motor fueraborda un distribuidor autorizado de Tohatsu.

1. Pare el motor y desconecte el cable de la batería del borne negativo (-).
2. Retire la cubierta del motor.
3. Quite la tapa de la caja de fusibles.
4. Quite el fusible y compruebe su estado. Si está fundido, cámbielo por uno de igual valor. El motor fueraborda se suministra con varios fusibles en el soporte de fusibles de recambio.



1. Fusible fundido

ENOF01122-0

Si se detecta algún fusible fundido, trate de determinar la causa que lo ha motivado

ENOM00090-0

2. Inspección periódica

Es importante efectuar regularmente la inspección y mantenimiento de su motor fueraborda. No olvide realizar las tareas de mantenimiento indicadas para cada intervalo que aparece en la tabla siguiente.

Los intervalos de mantenimiento se determinan de acuerdo con el número de horas o el número de meses (lo que primero ocurra).

Descripción		Intervalos de inspección				Procedimiento de inspección	Comentarios
		Primeras 20 horas de 1 mes	Cada 50 horas o 3 meses	Cada 100 horas o 6 meses	Cada 200 horas o 1 año		
Sistema de combustible	Filtro del combustible a alta presión*1					Cambiar cada 200 horas o 2 años	
	Filtro del combustible	•	•			Revisar y limpiar, o Reemplazar de ser necesario. (Ver la página 75)	
	Tubería/ mangueras	•	•			Revisar y limpiar, o Reemplazar de ser necesario.	
	Depósito de combustible	•		•		Limpiar (Ver la página 74)	
	Tapa del depósito de combustible	•	•			Revisar y limpiar, o Reemplazar de ser necesario.	
	Bomba de combustible*1	•	•			Revisar y limpiar, o Reemplazar de ser necesario.	
Ignición	Bujía	•		•		Comprobar la separación. Eliminar la carbonilla depositada o Sustituir de ser necesario. (Ver la página 78)	0.8-0.9 mm (0.031-0.035 in)
Sistema de arranque	Cuerda de arranque	•	•			Comprobar si está desgastada o raspada	
	Motor de arranque*1			•		Comprobar si hay sal acumulada y el estado del cable de la batería.	
	Batería	•	•			Comprobar la instalación, el nivel y la densidad del líquido.	
Motor	Aceite para motor	Cambiar •		Cambiar •		Cambiar. (Ver la página 67)	1.800 ml (63.3 fl. oz.)
	Filtro del aceite*1					Cambiar cada 200 horas o 2 años (Ver página 73)	Cartucho completo
	Distancia de válvula*1	•		•		Comprobar y ajustar	IN: 0.13-0.17 mm (0.0051-0.0067 in) EX: 0.18-0.22 mm (0.0071-0.2210 mm)
	Correa dentada*1			•		Revise y sustituya de ser necesario.	
	Presión de compresión *1				•	Revise y sustituya de ser necesario.	
	Filtro del aire*1					Cambiar cada 200 horas o 2 años	
	Cámara de combustión *1					Limpiar cada 200 horas o 2 años	
	Termostato*1			•		Revise y sustituya de ser necesario.	

Descripción		Intervalos de inspección				Procedimiento de inspección	Comentarios
		Primeras 20 horas de 1 mes	Cada 50 horas o 3 meses	Cada 100 horas o 6 meses	Cada 200 horas o 1 año		
Unidad inferior	Hélice	•	•			Revisar en busca de aspas dobladas, daños, desgaste. Sustituir de ser necesario. (Ver la página 77)	
	Aceite para engranajes	Cambiar •	•	Cambiar •		Cambie o rellene el aceite y revise en busca de fugas de agua. (Ver la página 76)	360 mL (12.2 fl.oz.)
	Toma del agua de refrigeración	•	•			Compruebe la presencia de obstrucciones	
	Bomba de agua*1		•		Cambiar •	Compruebe si está gastada o dañada y sustitúyala si es necesario	Cambiar el impulsor cada 12 meses.
Equipo motorizado de inclinación*1		•		•		Comprobar y rellenar aceite, operar manualmente	
Sistema de advertencia*1			•			Comprobar función	
Pernos y tuercas		•	•			Reapretar	
Cable del acelerador				•			
Cable de control remoto			•				
Piezas deslizantes y giratorias. Engrasadores		•	•			Aplicar y bombear grasa. (Ver la página 83)	
Equipo externo		•	•			Revisar en busca de corrosión.	
Ánodo				•		Comprobar si está corroído o deformado.	Sustituir de ser necesario.

*1: Esto debe ser controlado por su distribuidor autorizado.

ENON00030-0

Nota

Su motor fueraborda necesita una inspección cuidadosa y completa cada 300 horas. Este es el mejor momento para llevar a cabo las principales tareas de mantenimiento.

ENOM00091-A

Cambio del aceite para motor

ENOW00091-0



PRECAUCIÓN

Puede sufrir lesiones debido a las altas temperaturas del motor si llena el aceite para motor justo después de parar. El cambio de aceite se debe realizar una vez que se haya enfriado el motor.

ENOW00092-A



PRECAUCIÓN

• No llene en exceso el aceite para motor ya que podría producirse una fuga y/o el

motor podría resultar dañado. Si el nivel de aceite para motor está por encima de la marca de límite superior del medidor, drene aceite hasta reducir la cantidad hasta el límite superior.

- Compruebe que el motor fueraborda está en posición recta y nivelado al comprobar y cambiar el aceite.
- Detenga el motor inmediatamente si la luz de advertencia de baja presión del aceite se enciende o se descubre una fuga de aceite, ya que el motor podría sufrir graves daños. Consulte a un distribuidor.
- Si se derrama, limpie bien el aceite para motor inmediatamente y tírelo de

acuerdo con la normativa local de prevención de incendios y de protección del medioambiente.

ENOW00090-0

⚠ PRECAUCIÓN

El uso de aceites para motor que no cumplan estos requisitos supondrá una menor vida del motor y otros problemas con el motor.

ENOW00933-0

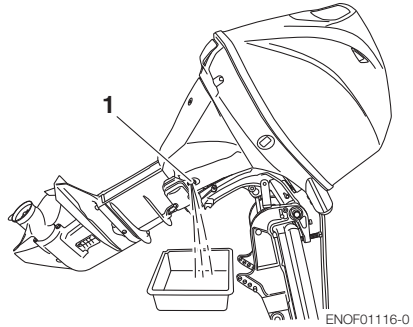
⚠ PRECAUCIÓN

El aceite para motor mezclado con polvo o agua reducirá drásticamente la vida del motor.

Para cambiar el aceite para motor:

Asegúrese de usar el aceite para motor recomendado (ver la page 13).

1. Pare el motor y espere a que enfríe.
2. Incline hacia arriba el motor fueraborda y bloquee la posición con el retén de inclinación.
3. Gire la dirección del motor fueraborda para que el orificio de drenaje esté boca abajo.
4. Coloque un recipiente para drenar aceite debajo del tornillo de drenaje de aceite.
5. Extraiga el tornillo de drenaje de aceite y drene el aceite del motor por completo.



1. Orificio de drenaje
6. Apriete el tornillo de drenaje de aceite aplicando aceite en la superficie sellante del tornillo. (Utilice una nueva arandela de drenaje de aceite)

Par de apriete especificado del tornillo de drenaje de aceite

24N·m (17 ft·lb, 2.4 kgf·m)

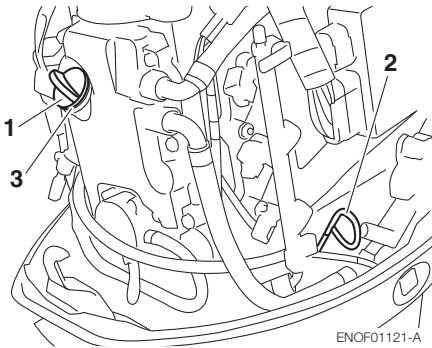
ENON00028-A

Nota

Si no dispone de una llave dinamométrica cuando vaya a ajustar un filtro de aceite, una buena estimación del par de apriete correcto es de 3/4 a 1 vuelta más apretado que el ajuste con los dedos. Ajuste el filtro de aceite con el par de apriete correcto en cuanto sea posible con una llave dinamométrica.

7. Vuelva a colocar el motor en vertical.
8. Repita los pasos del 3 al 7 dos o tres veces para drenar el aceite completamente.
9. Quite la cubierta superior y el tapón de llenado de aceite.
10. Llene el motor a través del puerto de llenado con el aceite recomendado (ver el cuadro que figura a continuación) hasta la marca media de la varilla de nivel.

11. Apriete el tapón de llenado de aceite.



- 1. Tapón de llenado
- 2. Varilla de nivel
- 3. Puerto de llenado

ENOF01121-A



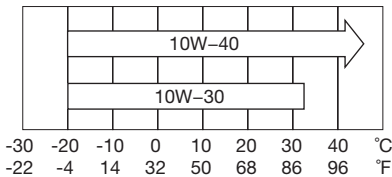
- 1. Límite superior (máx.)
- 2. Límite inferior (mín.)

ENOF00113-0

ENON00920-0

Nota

Utilice solamente el aceite para motor recomendado (ver la page 13)



ENOF00208-0

Volumen de aceite necesario para una sustitución completa del aceite	
Con sustitución del filtro de aceite	Sin sustitución del filtro de aceite
1800 mL (63.3 fl. oz.)	1600 mL (56.3 fl. oz.)

ENOW00925-0

⚠ PRECAUCIÓN

Si se derrama, limpie bien el aceite para motor inmediatamente y tírelo de acuerdo con la normativa local de prevención de incendios y de protección del medioambiente.

ENON00031-0

Nota

- Si encuentra agua en el aceite para motor, lo cual hace que tenga un color blanco lechoso, consulte a un distribuidor.
- Si el aceite para motor está contaminado con combustible, lo cual hace que emita un fuerte olor a combustible, consulte con un distribuidor.
- Cierta dilución de aceite es normal si el motor está en ralentí o caceo durante largos periodos, en especial en aguas más frías.

ENOM00092-A

Cambio del filtro de aceite

ENOW00091-0

⚠ PRECAUCIÓN

Puede sufrir lesiones debido a las altas temperaturas del motor si llena el aceite para motor justo después de parar. El cambio de aceite se debe realizar una vez que se haya enfriado el motor.

ENOW00926-0

⚠ PRECAUCIÓN

Si se derrama, limpie bien el aceite para motor inmediatamente y tírelo de acuerdo con la normativa local de prevención de incendios y de protección del medioambiente.

1. Drene el aceite del motor.
2. Coloque un trapo o una toalla debajo del filtro del aceite para que absorba el aceite derramado.
3. Desatornille el filtro antiguo girándolo hacia la izquierda.
4. Limpie la base de montaje. Aplique una película de aceite limpio a la junta tórica.

No utilice grasa.

Coloque el filtro de aceite y apriételo al par especificado usando una llave para filtro de aceite.

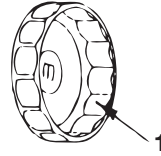
Par de apriete del filtro de aceite:

18 N·m (13 ft·lb, 1.8 kgf·m)

ENON00028-A

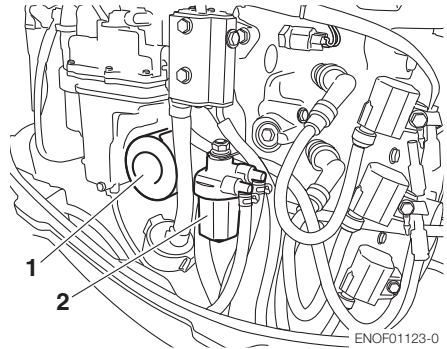
Nota

Si no dispone de una llave dinamométrica cuando vaya a ajustar un filtro de aceite, una buena estimación del par de apriete correcto es de 3/4 a 1 vuelta más apretado que el ajuste con los dedos. Ajuste el filtro de aceite con el par de apriete correcto en cuanto sea posible con una llave dinamométrica.



ENOF00094-0

1. Llave para filtro de aceite
P/N 3AC-99090-0
P/N 3AC99090M
(EE. UU. CANADÁ exclusivamente)



ENOF01123-0

1. Filtro del aceite
2. Filtro del combustible

ENOM00093-A

Limpieza de los filtros de combustible y del depósito de combustible

ENOW00093-A

⚠ ADVERTENCIA

La gasolina y sus vapores son muy inflamables y pueden ser explosivos.

- No comience esta tarea si el motor está en marcha o caliente, incluso después de haberlo parado.
- Aleje el filtro de combustible de cualquier fuente de ignición, como chispas o llamas descubiertas.
- Si se derrama gasolina, limpie bien el aceite de los engranajes

inmediatamente y tírelo de acuerdo con la normativa local de prevención de incendios y de protección del medioambiente.

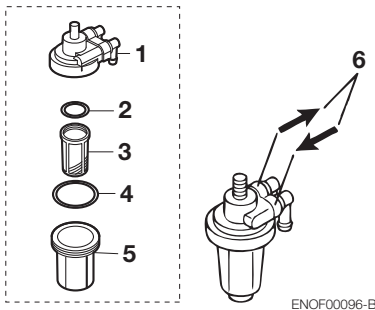
- Coloque en su sitio el filtro del combustible con todas las piezas asociadas, o podría producirse una fuga de combustible, con el consiguiente peligro de incendio o de explosión.
- Compruebe con regularidad que el sistema del combustible no tiene fugas.
- Póngase en contacto con su distribuidor autorizado para el mantenimiento del sistema del combustible. Un mantenimiento realizado por personal no cualificado podría dañar el motor.

Los filtros del combustible se encuentran en el interior del depósito y en el motor.

ENOM00094-0

Filtro del combustible (para el motor)

1. Compruebe si el medidor tiene agua o suciedad.



ENOF00096-B

1. Cuerpo
2. Junta tórica
3. Filtro
4. Junta tórica
5. Medidor
6. La flecha indica la dirección de flujo del combustible

2. Si se encontraran, desconecte las mangueras del conector de combustible (macho) y la bomba de combustible.
3. Saque el medidor, el filtro y las juntas tóricas del cuerpo del filtro del combustible.
4. Compruebe si las piezas están desgastadas o atascadas y sustitúyalas si es necesario.
5. Saque el combustible y el agua o limpie la suciedad del medidor, el filtro y las mangueras.
6. Vuelva a colocar todas las piezas.

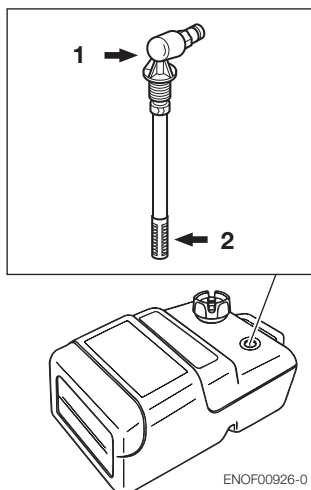
ENOM00096-A

Filtro del combustible (para el depósito de combustible)

Agua o tierra en el depósito de combustible causarán problemas de funcionamiento en el motor.

Revise y limpie el depósito en los momentos especificados o después que el motor fueraborda haya estado almacenado durante un largo período de tiempo (más de tres meses).

1. Extraiga el codo de toma de combustible del depósito de combustible haciéndolo girar en el sentido contrario al de las agujas del reloj.
2. Limpie el filtro del combustible y compruebe la junta tórica. Sustituir de ser necesario.
3. Vuelva a colocar todas las piezas.



1. Toma de combustible
2. Filtro

ENOM00098-A

Cambio del aceite para engranajes

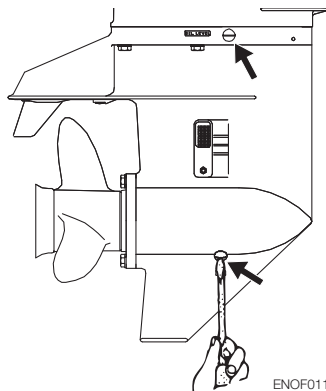
ENOW00094-0

ADVERTENCIA

- **Asegúrese de que el motor fueraborda esté asegurado al espejo de popa o al soporte de servicio, o podría producirse una caída accidental del motor fueraborda y lesiones personales graves.**
- **Asegúrese de bloquear el motor fueraborda si el mismo está inclinado hacia arriba, o podría producirse una caída accidental del motor fueraborda y lesiones personales graves.**
- **No se coloque bajo un motor fueraborda subido y bloqueado o podría producirse una caída accidental del motor fueraborda y lesiones personales graves.**

1. Incline hacia abajo el motor fueraborda.

2. Retire los tapones del aceite (superior e inferior) y saque todo el aceite de engranajes pasándolo a un colector.

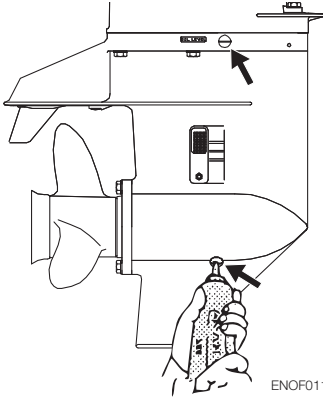


3. Inserte la boquilla del tubo de aceite en el orificio del tapón inferior y llénelo con aceite de engranajes apretando el tubo de aceite hasta que salga aceite por el orificio del tapón superior y las burbujas hayan desaparecido para eliminar el aire.

ENON00033-0

Nota

Use aceite para engranajes genuino o el recomendado (API GL-5: SAE #80 a #90). Volumen necesario: aprox. 360 mL (11.8 fl.oz).



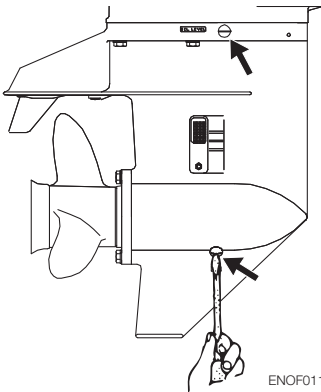
ENOF01132-0

- Coloque primero el tapón superior del aceite. Después, retire la boquilla del tubo de aceite y coloque el tapón inferior.

ENOW00095-0

⚠ PRECAUCIÓN

No reutilice la junta del tapón del aceite. Use siempre una junta nueva y apriete bien el tapón del aceite para evitar que entre agua en la unidad inferior.



ENOF01133-0

ENOW00928-0

⚠ PRECAUCIÓN

Si se derrama, limpie bien el aceite para engranajes inmediatamente y tírelo de acuerdo con la normativa local de prevención de incendios y de protección del medioambiente.

ENON00032-0

Nota

Si hay agua en el aceite, que le da un aspecto lechoso, póngase en contacto con su distribuidor.

ENON00033-0

Nota

Use aceite para engranajes genuino o el recomendado (API GL-5: SAE #80 a #90). Volumen necesario: aprox. 360 mL (11.8 fl.oz).

ENOM00086-A

Cambio de la hélice

ENOW00084-0

⚠ ADVERTENCIA

- No comience a quitar o poner la hélice con los capuchones de las bujías puestos, la palanca de cambio en marcha hacia delante o marcha atrás, el interruptor principal en otra posición que no sea la de apagado ("OFF"), el bloqueo del interruptor de parada del motor conectado al interruptor, y la llave de arranque puesta, o el motor se podría poner en marcha por accidente pudiendo provocar graves lesiones personales. Si es posible, desconecte el cable de la batería.
- El borde de la hélice es fina y afilada. Lleve guantes para protegerse las manos durante el cambio.

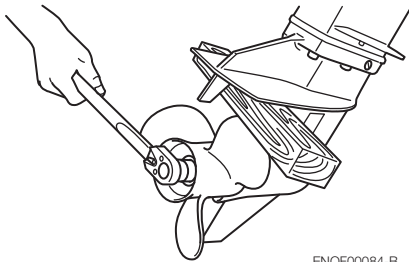
ENOW00086-0

PRECAUCIÓN

- No instale la hélice sin el soporte de tracción, o podría dañar el cubo de la hélice.
- No reutilice el pasador hendido.
- Tras instalar el pasador hendido, sepárelo para evitar que se caiga, lo que podría provocar que la hélice se saliera durante su funcionamiento.

Una hélice desgastada o doblada reducirá el rendimiento del motor y puede causar problemas en el mismo.

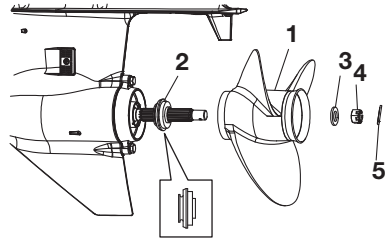
1. Coloque una pieza de madera entre la aspa de la hélice y la placa anticavitación para sujetar la hélice.



ENOF00084-B

10

2. Extraiga el pasador hendido, y la tuerca y arandela de la hélice.
3. Extraiga la hélice y el soporte de tracción.
4. Aplique grasa resistente al agua al eje de la hélice antes de instalar una hélice nueva.
5. Instale el soporte de tracción, la hélice, el retén, la arandela y la tuerca de la hélice en el eje.



ENOF00084-C

1. Hélice
2. Cubo de empuje
3. Arandela
4. Tuerca de la hélice
5. Pasador hendido
6. Apriete la tuerca de la hélice al par especificado y alinee una de las ranuras con el orificio del eje de la hélice.

Par de apriete de la tuerca de la hélice:
25 N·m (18 ft·lb, 2.5kgf·m)

7. Instale un nuevo pasador hendido en el agujero de la tuerca y dóblelo.



ENOF00084-D

ENOM00087-A

Cambio de las bujías

ENOW00087-0

ADVERTENCIA

- No reutilice una bujía con el aislante dañado, o podrían salir chispas por la grieta, con el consiguiente peligro de descarga eléctrica, explosión y/o incendio.
- No toque las bujías inmediatamente después de parar el motor, ya que podrían estar calientes y provocar

graves quemaduras si se tocan. Deje que el motor se enfríe primero.

ENOW00929-0

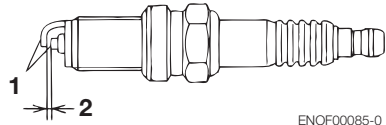
⚠ PRECAUCIÓN

Utilice solamente las bujías recomendadas. Las bujías con un intervalo de calor diferente pueden provocar daños en el motor.

Debe cambiar las bujías si están sucias, tienen carbonilla o están desgastadas.

Al reutilizar bujías, quite la suciedad de los electrodos y ajuste la separación de los electrodos de acuerdo con las especificaciones.

1. Pare el motor.
2. Retire la cubierta superior del motor.
3. Retire los capuchones de las bujías.
4. Retire los capuchones de las bujías girando en el sentido contrario al de las agujas del reloj, usando una llave de tubo de 5/8" (16 mm) y el mango que se encuentra en la bolsa de herramientas.
5. Inspeccione la bujía. Cambie la bujía si los electrodos están gastados o si los aislantes están agrietados o astillados.
6. Mida el hueco de los electrodos de la bujía con una galga de espesores de tipo alambre. El hueco debe estar entre 0.8-0.9 mm (0.031-0.035 inches). Si el hueco es diferente, sustituya la bujía por una nueva. Utilice bujías NGK DCPR-6E.



ENOF00085-0

1. Electrodo
2. Separación de los electrodos (0.8—0.9 mm, 0.031—0.035 in)

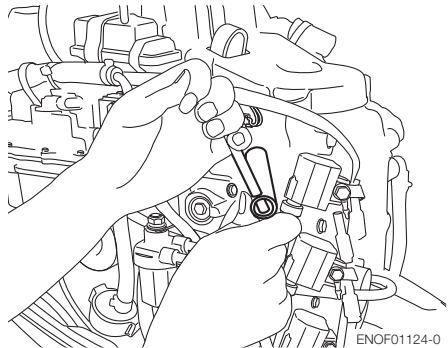
7. Coloque la bujía a mano y gírela con cuidado para evitar atascarla.
8. Apriete la bujía al par especificado.

ENON00028-0

Nota

- **Par de apriete de las bujías:
18.0 N·m (13.3 ft·lb) [1.84 kgf·m]**

Si no dispone de una llave dinamométrica cuando vaya a ajustar una bujía, una buena estimación del par de apriete correcto es 1/4 a 1/2 de vuelta más apretado que el ajuste con los dedos. Ajuste la bujía con el par de apriete correcto en cuanto sea posible con una llave dinamométrica.



ENOF01124-0

ENOM00088-A

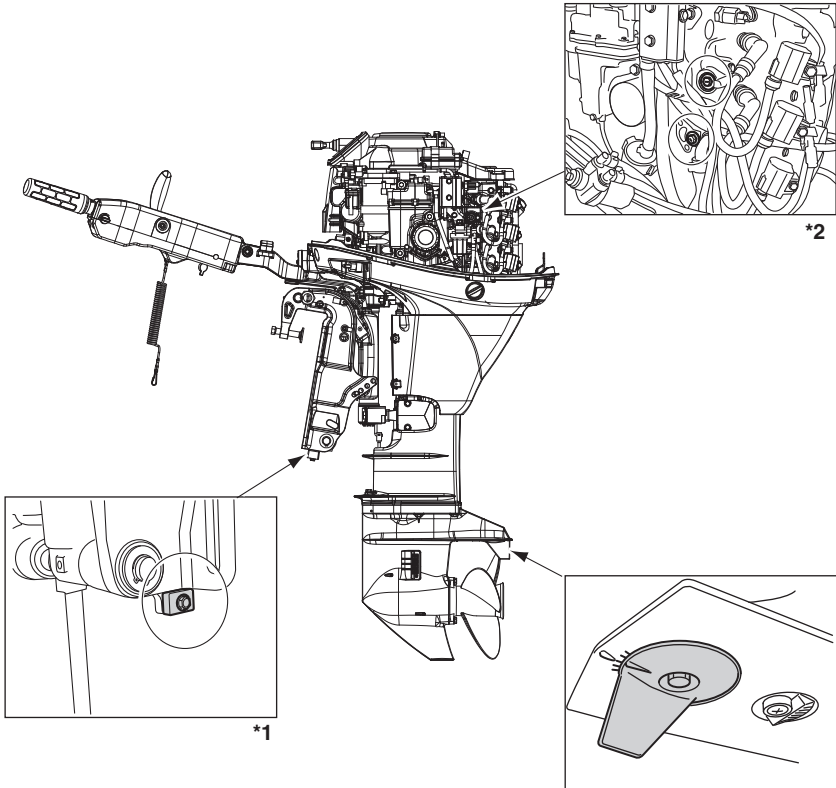
Sustitución del ánodo

Un ánodo sacrificial protege al motor fueraborda contra la corrosión electrolytica. El ánodo se encuentra en la caja de cambios, cilindro, etc. Cuando el ánodo esté erosionado más de 1/3 de su tamaño original, sustitúyalo.

ENON00029-0

Notas

- Nunca pinte ni engrase el ánodo.
- En cada inspección reapriete el perno de sujeción del ánodo. Es probable que esté sometido a corrosión electrolytica.



*1 : Ambos lados

*2 : Extraiga el filtro de combustible para acceder al ánodo.

ENOM00089-B

Comprobación del aceite del equipo motorizado de inclinación

ENOW00088-0



ADVERTENCIA

- Asegúrese de que el motor fueraborda esté asegurado al espejo de popa o al soporte de servicio, o podría producirse una caída accidental del motor fueraborda y lesiones personales graves.
- Asegúrese de bloquear el motor fueraborda si el mismo está inclinado hacia arriba, o podría producirse una caída accidental del motor fueraborda y lesiones personales graves.
- No se coloque bajo un motor fueraborda subido y bloqueado o podría producirse una caída accidental del motor fueraborda y lesiones personales graves.

ENOW00089-A

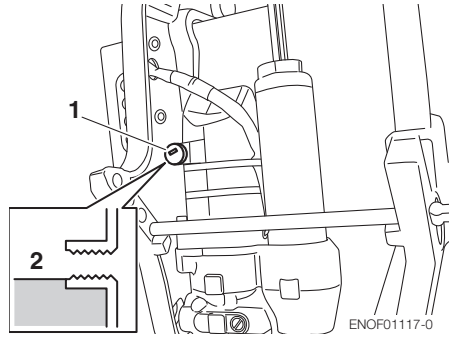


PRECAUCIÓN

No desatornille el tapón de aceite con el motor fueraborda inclinado hacia abajo. El aceite presurizado del depósito de aceite podría salir a chorros.

Compruebe el nivel de aceite del depósito de reserva mientras el depósito se mantiene en vertical.

1. Incline hacia arriba el motor fuera borda y bloquee la posición con el retén de inclinación.
2. Saque el tapón del aceite girándolo en sentido contrario a las agujas del reloj, después compruebe si el nivel de aceite llega a la línea inferior del orificio con tapón.



1. Tapón de aceite
2. Nivel de aceite

Aceite recomendado

Utilice líquido de transmisión automática o uno equivalente.

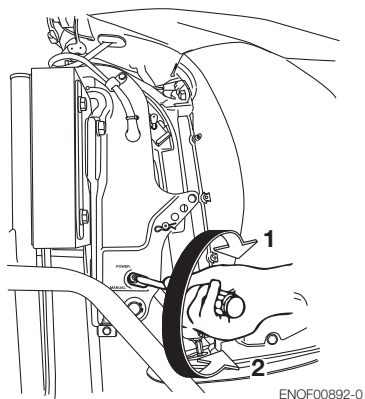
Los aceites recomendados se muestran a continuación.

ATF Dexron III

Purga de aire de la unidad del equipo motorizado de inclinación y cabeceo.

El aire atrapado en la unidad del equipo motorizado de inclinación provocará un movimiento de inclinación deficiente y un aumento del ruido.

1. Con el motor fueraborda montado en la embarcación, coloque la válvula de liberación manual en el lado Manual e incline el motor fueraborda hacia arriba/abajo 5 ó 6 veces mientras comprueba el nivel de aceite.
2. Cuando termine, cierre la válvula girándola en el sentido de las agujas del reloj hasta el lado de Potencia.



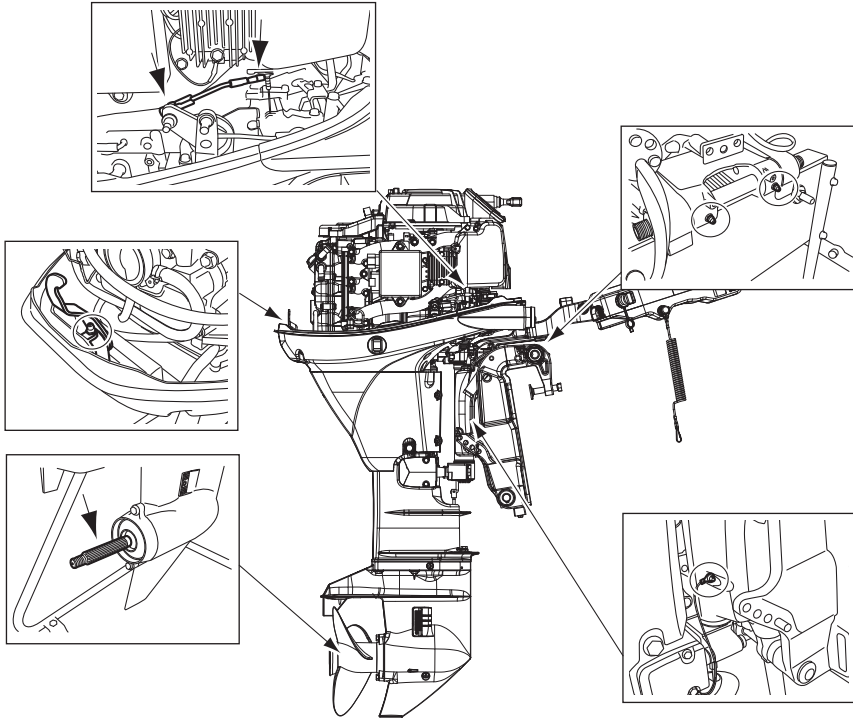
ENOF00892-0

- 1. POTENCIA
- 2. MANUAL

ENOM00960-0

Punto de engrase

Aplique grasa resistente al agua a las piezas que se muestran a continuación.



ENOM00100-A

3. Almacenamiento fuera de temporada

ENOW00934-0

ADVERTENCIA

- **Asegúrese de desconectar el conector de combustible salvo cuando el motor esté funcionando.**
- **Las fugas de combustible suponen un peligro de incendio o de explosión, y pueden suponer lesiones personales graves o mortales.**

ENOW00097-0

ADVERTENCIA

Asegúrese de usar un trapo para eliminar el combustible que se quede en la cubierta del motor y tírelo de acuerdo con la normativa local de prevención de incendios y de protección del medioambiente.

ENOW00096-0

PRECAUCIÓN

Antes de dar servicio al motor para su almacenamiento:

- **Retire los cables de la batería.**
- **Retire los capuchones de las bujías.**
- **No haga funcionar el motor fuera del agua.**

Antes de poner en almacenamiento su motor fueraborda, es una buena oportunidad para que su proveedor lo examine y lo repare.

Antes del almacenamiento, asegúrese de usar estabilizante de combustible mientras hace funcionar el motor. (Ver la página 85)

ENOM00101-A

Motor

1. Lave el motor por fuera y limpie meticulosamente con agua dulce el sistema de agua de refrigeración. Drene toda el agua. Limpie con un trapo grasiento el agua que quede en la superficie.
2. Desconecte la manguera de combustible del motor fueraborda.
3. Extraiga todo el combustible de las mangueras de combustible, la bomba de combustible, el filtro del combustible (ver la página 75) y el separador de vapor (ver la página 86) y limpie estas piezas.

No olvide que si permanece gasolina en el separador de vapor durante un largo periodo de tiempo se desarrollará goma y barniz y esto hará que se atasque la válvula del flotador, restringiendo el flujo de combustible.

4. Quite las bujías y ponga una cucharadita de aceite de motor o rocíe aceite de almacenamiento en la cámara de combustión a través de los orificios de las bujías.
5. Gire el motor de arranque varias vueltas para lubricar el interior del cilindro.

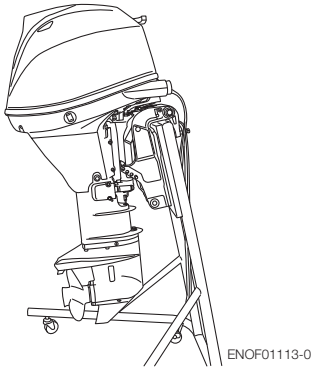
ENOW00930-0

ADVERTENCIA

- **Asegúrese de quitar el bloqueo del interruptor de parada para impedir que se accionen las bujías.**
- **Cuando arranque el motor fueraborda, ponga un trapo en el orificio de la bujía y limpie el aceite de motor derramado.**

6. Cambie el aceite para motor (ver la página 71).
7. Cambie el aceite de la caja para engranajes (ver la página 76).
8. Aplique grasa en el punto de engrase (ver la página 83).
9. Coloque verticalmente el motor fueraborda en un lugar seco.

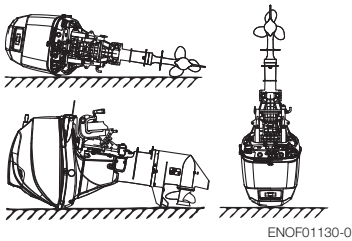
ENOW00066-0



⚠ PRECAUCIÓN

No transporte ni almacene el motor fueraborda en cualquiera de las posiciones descritas debajo.

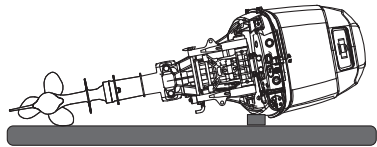
De lo contrario, puede causarse daño al motor o a la propiedad debido a fuga de aceite.



ENON00021-A

Nota

- Si fuera necesario acostar el motor, asegúrese de drenar el combustible y el aceite para motor y colóquelo sobre un cojín como se muestra en el diagrama debajo (ver página 60 y 85).
- Para evitar derrame de aceite, eleve el equipo de potencia de 2 a 4 pulgadas mientras realice el transporte.



ENOF01127-0

ENOM00950-0

Añadir estabilizante de combustible

Cuando se añada un aditivo estabilizante de combustible (de los disponibles en las tiendas), llene primero el depósito con combustible nuevo. Si el depósito de combustible solo está lleno parcialmente, el aire que contiene puede hacer que se deteriore el combustible durante el almacenamiento.

1. Antes de añadir un aditivo estabilizante de combustible, drene el separador de vapor (ver page 79).
2. Cuando añada el aditivo siga las instrucciones de la etiqueta.
3. Después de añadir el aditivo, deje el motor fueraborda funcionando en el agua durante 10 minutos para asegurarse de que el combustible viejo del sistema de combustible ha sido completamente reemplazado por combustible con aditivo.

4. Apague el motor

ENON00891-0

Nota

Si el motor se usa ocasionalmente, se recomienda usar un buen estabilizante de combustible en cada depósito y mantener el contenedor lleno para reducir la condensación y la evaporación.

ENOM00970-0

Vaciado del sistema de combustible

ENOW00028-A

⚠ ADVERTENCIA

Para obtener información sobre la manipulación del combustible, póngase en contacto con un distribuidor autorizado.

El combustible y sus vapores son muy inflamables y pueden ser explosivos.

- Si se derrama combustible, límpielo inmediatamente.
- Mantenga alejado el depósito de combustible de cualquier fuente de ignición, como chispas o llamas descubiertas.
- Realice la tarea en exteriores o en un área bien ventilada.

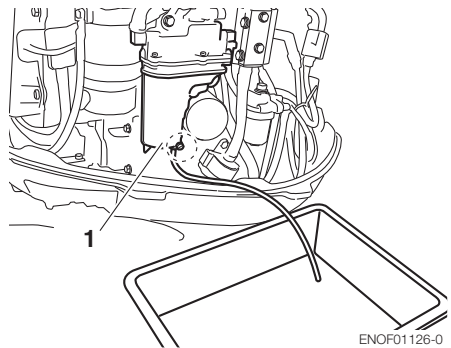
ENOW00097-0

⚠ ADVERTENCIA

Asegúrese de usar un trapo para eliminar el combustible que se quede en la cubierta del motor y tírelo de acuerdo con la normativa local de prevención de incendios y de protección del medioambiente.

1. Desconecte la manguera de combustible del motor fueraborda.
2. Retire la cubierta superior del motor.

3. Suelte el tubo de drenaje del soporte y tire del tubo fuera de la cubierta inferior. Coloque un contenedor de combustible homologado debajo del extremo del tubo de drenaje y utilice un embudo para evitar que se derrame combustible.
4. Afloje el tornillo de drenaje del separador de vapor.
5. Incline el motor fueraborda hasta que el combustible fluya por el tubo de drenaje.
6. Deje el motor fueraborda en esta posición hasta que haya salido todo el combustible.
7. Cuando esté totalmente vacío, vuelva a apretar bien el tornillo de drenaje.
8. Compruebe si hay agua u otros contaminantes en el combustible drenado. Si los hay, vuelva a montar el motor fueraborda, rellene el separador de vapor con combustible y drene el combustible de nuevo. Repita este procedimiento hasta que no haya agua u otros contaminantes en el combustible drenado.



1. Separador de vapor

ENOF01126-0

ENOM00102-0

Batería

ENOW00931-A

**ADVERTENCIA**

- **Coloca la batería lejos de cualquier lugar que origine fuego, chispas o llamas, como quemadores o equipos de soldadura.**
- **Aleje la batería del tanque de combustible. Las chispas que accidentalmente podría ocasionar la batería podrían causar la explosión de la gasolina.**

1. Desconecte los cables de la batería y asegúrese de quitar primero el borne negativo.
2. Limpie cualquier depósito de productos químicos, suciedad o grasa.
3. Aplique grasa a los bornes de la batería.
4. Cargue la batería por completo antes de almacenarla para el invierno.
5. Vuelva a cargar la batería una vez al mes para evitar que se descargue y que el electrolito se deteriore.
6. Almacene la batería en un lugar seco.

ENOM00104-A

4. Comprobación pretemporada

Antes de utilizar por primera vez el motor después de haber estado guardado durante la temporada de invierno, es preciso tomar las siguientes medidas.

1. Compruebe que el cambio y el acelerador funcionen correctamente. (Asegúrese de hacer girar el eje de la hélice cuando compruebe el funcionamiento de los cambios, de lo contrario se puede dañar el varillaje del cambio).

2. Compruebe el nivel de electrolito y mida la tensión y la densidad específica de la batería.

Gravedad específica a 20°C	Tensión del borne (V)	Estado de carga
1.120	10.5	Totalmente descargada
1.160	11.1	1/4 de carga
1.210	11.7	1/2 de carga
1.250	12	3/4 de carga
1.280	13.2	Totalmente cargada

3. Compruebe que la batería está segura y los cables de la batería están instalados correctamente.
4. Cambie el aceite para motor (ver la página 71).
5. Antes de arrancar el motor desconecte el bloqueo del interruptor de parada y el cigüeñal aproximadamente 10 tirando del arrancador (Modelo de arranque manual) o 3 veces durante 3 segundos girando el motor eléctrico (Modelo de arranque eléctrico) para cebar la bomba de aceite.
6. Llene el depósito de combustible por completo.
7. Arranque el motor y caliéntelo durante 3 minutos en la posición "NEUTRAL".
8. Haga funcionar el motor durante 5 minutos a la velocidad más baja.
9. Haga funcionar el motor durante 10 minutos a media aceleración. El aceite usado para almacenamiento dentro del motor debe hacerse circular para garantizar un rendimiento óptimo.

ENOM00105-A

5. Motor fueraborda sumergido

ENOW00098-0

⚠ PRECAUCIÓN

No intente arrancar un motor fueraborda que haya estado sumergido inmediatamente después de recuperarlo, o podría dañar seriamente el motor.

Después de sacar el motor fueraborda del agua, llévelo inmediatamente a su distribuidor.

Si no puede llevar inmediatamente a su distribuidor un motor fueraborda que ha estado sumergido, debe implementar las siguientes medidas de emergencia.

1. Lave el motor con agua dulce para eliminar a sal o la suciedad.
2. Extraiga el tornillo de drenaje del aceite para motor y drene el agua y el aceite del motor por completo.
3. Quite las bujías y extraiga completamente el agua del motor tirando del arrancador varias veces.

Sustituya el filtro de aceite y el aceite hasta el nivel correcto.

Es posible que tenga que cambiar el aceite y el filtro nuevamente tras un breve periodo de funcionamiento para extraer la humedad por completo del cárter.

4. Inyecte una cantidad suficiente de aceite para motor a través de los orificios de las bujías.

Tire del arrancador varias veces para que el aceite circule por el motor fueraborda.

ENOM00106-A

6. Precauciones en el invierno

Si amarra la embarcación con tiempo frío a temperaturas por debajo de los 0 °C (32 °F), existe el riesgo de que el agua se congele en la bomba de agua de refrigeración lo que podría dañar la bomba, el impulsor, etc. Para evitar este problema, sumerja la mitad inferior del motor fueraborda en el agua.

ENOM00107-A

7. Choque con objeto sumergido

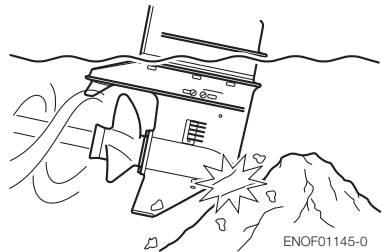
ENOW00935-0

⚠ PRECAUCIÓN

Chocar con el fondo del mar o con un objeto sumergido podría provocar graves daños en el motor.

Siga el procedimiento que se indica a continuación y consulte con un distribuidor lo antes posible.

1. Pare el motor inmediatamente.
2. Compruebe el sistema de control, la caja de cambios, el espejo de popa de la embarcación, etc.
3. Regrese al puerto más cercano lentamente y con cuidado.
4. Antes de volver a poner en marcha de nuevo el motor fueraborda consulte con un distribuidor para que lo examine.



ENOM00121-0

8. Funcionamiento con múltiples motores fueraborda

Cuando utilice los motores fueraborda en marcha atrás a una velocidad superior que la más baja, asegúrese de que todos los motores están funcionando.

Si se para cualquier motor, asegúrese de inclinar el motor fueraborda hacia arriba y de mantener la hélice fuera del agua.

De lo contrario, podría entrar agua en el motor y ocasionar daños en el mismo.

		Dificultad para arrancar el motor	El motor funciona de forma irregular	Baja velocidad del motor / Poca velocidad de la embarcación	La batería no se carga	El motor de arranque no funciona	El equipo mecanizado de inclinación no está operativo	Luz de advertencia encendida ("ON")	Avisador acústico activado "ON"	Causa posible
SISTEMA ELÉCTRICO	●	●	●	●	●	●	●	●	Componentes eléctricos fuera de rango o conexión del cableado suelta o inadecuada.	
	●	●	●						Bujía distinta de la especificada	
	●	●	●						Suciedad, hollín, etc. en la bujía	
	●	●	●						No salta chispa o chispa débil	
	●								Cortocircuito en el interruptor de parada del motor	
	●								Ausencia de la placa de bloqueo del interruptor de parada	
	●				●	●	●		Cableado, cable de toma a tierra con fallo, roto o suelto.	
	●					●	●		Tensión de batería baja	
	●					●			No se ha cambiado a punto muerto	
	●				●	●	●		Poca batería o las conexiones de la batería están sueltas o corroidas	
	●					●			Fallo del interruptor de la llave de encendido	
	●					●			Fallo del motor de arranque o del solenoide de arranque	
							●		Interruptor del equipo motorizado de inclinación defectuoso, solenoide defectuoso	

		Dificultad para arrancar el motor	El motor funciona de forma irregular	Baja velocidad del motor / Poca velocidad de la embarcación	La batería no se carga	El motor de arranque no funciona	El equipo mecanizado de inclinación no está operativo	Luz de advertencia encendida ("ON")	Avisador acústico activado "ON"	Causa posible
SISTEMA DE COMPRESIÓN Y ACEITE	●	●	●						Baja compresión	
		●	●						Depósitos de carbón en la cámara de combustión	
	●	●	●						Distancia de válvula incorrecta	
			●				●	●	Baja presión/nivel del aceite, fallo de la bomba de aceite, filtro de aceite atascado (interruptor de presión ENCENDIDO)	
		●	●						Flujo de agua de refrigeración insuficiente, bomba atascada o defectuosa	
	●	●	●						Intervalo de válvula incorrecto (correa de distribución estirada o instalación incorrecta)	
	●	●	●						Fallo en el sello de la válvula de admisión/escape	
		●	●						Desgaste excesivo del pistón, anillo del pistón o cilindro	
		●	●						Apriete insuficiente de la bujía	
			●						Termostato defectuoso	
OTROS		●	●						Cavitaciones o ventilación	
		●	●						Selección incorrecta de la hélice	
		●	●						Hélice dañada y doblada	
			●						Posición del perno de fijación inadecuada	
			●						Carga desequilibrada en la embarcación	
		●	●						El espejo de popa es excesivamente alto o bajo	
						●			La bomba contiene una gran cantidad de aire	
			●						Apertura del acelerador insuficiente	

KIT DE ACCESORIOS

ENOM00109-0

A continuación se indica una lista de las herramientas y de las piezas de repuesto que se incluyen con el motor.

Artículos		Cantidad	Comentarios		
Herramientas de servicio	Bolsa de herramientas	1			
	Alicates	1			
	Llave de tubo	1	10 x 13 mm		
	Llave de tubo	1	16 mm (bujía)		
	Mango de llave de tubo	1			
	Destornilladores	1	Punta recta y en estrella		
	Mango de destornillador	1			
Piezas de repuesto	Cuerda de arranque de emergencia	1			
	Bujía	1	NGK : DCPR6E		
	Pasador hendido	1			
	Bloqueo del interruptor de parada	1			
Piezas incluidas con el motor	Depósito de combustible	1	25 L		
	Bulbo de cebado	1 juego			
	Juego de pernos de montaje				
	Perno	2	M8 x 85 mm	Modelo de inclinación manual	
	Arandela	4	M8		
	Tuerca	2	M8		
	Perno	4	M12P1.25 x 105 mm	Modelo de inclinación motorizada	
	Arandela	4	13-34-3		
	Arandela	4	M12		
	Tuerca	4	M21.5		
	Juego de uniones de cables				
	Unión de cables	2			
	Arandela	2	8.5-18-16	Modelo E y ET	
	Pasador de presión	2			
	Accesorio de enjuague	1			

TABLA DE HÉLICES

ENOM00111-0

Use una hélice original Tohatsu.

La hélice se debe seleccionar de forma que las rpm del motor, medidas con el acelerador a tope durante la navegación, estén dentro del margen recomendado.

25 : 5000-6000 min⁻¹ (rpm)

30 : 5250-6250 min⁻¹ (rpm)

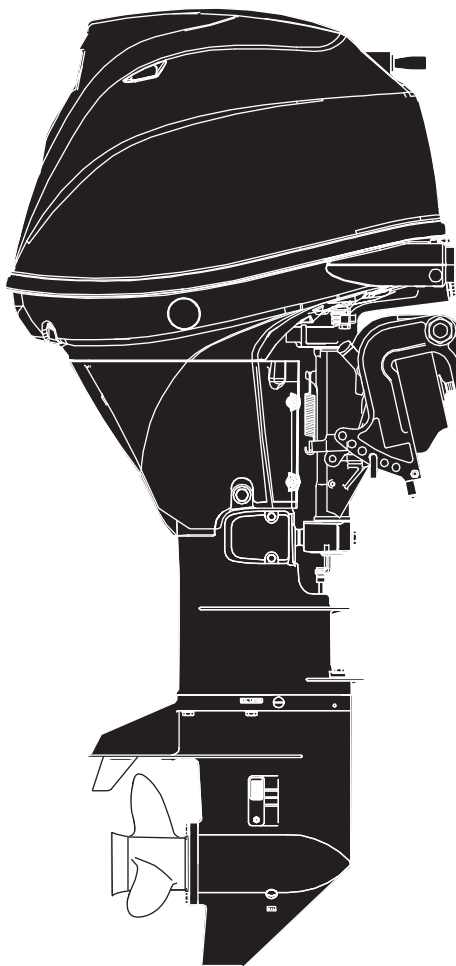
	Modelo de la hélice	Tamaño de hélice (diámetro x paso)	
		in.	mm
Embarcaciones ligeras	14	9.9 x 14.2	252 x 360
	DS13	9.6 x 13	244 x 330
	DS12	9.8 x 12	249 x 305
	DS11	9.8 x 11	249 x 279
	DS10	9.72 x 10	247 x 254
	DS9	9.72 x 9	247 x 229
Embarcaciones pesadas	8	10.2 x 8.3	260 x 210



**MANUAL
DEL PROPIETARIO
MFS 25C
MFS 30C**

BENUTZERHANDBUCH

TOHATSU



MFS 25C
MFS 30C

Originalbetriebsanleitung

OB No.003-11117-3AG1

ENOM00001-0



LESEN SIE SICH DIESES HANDBUCH DURCH, BEVOR SIE DEN AUSSENBORDER BENUTZEN. EIN NICHTBEFOLGEN DER ANLEITUNGEN UND SICHERHEITSVORKEHRUNGEN DIESES HANDBUCHS KÖNNEN ZU SCHWEREN VERLETZUNGEN ODER ZUM TOD FÜHREN. BEWAHREN SIE DIESES HANDBUCH AN EINEM SICHEREN PLATZ AUF.

Copyright © 2017 Tohatsu Corporation. Alle Rechte vorbehalten. Ohne die ausdrückliche und schriftliche Genehmigung der Tohatsu Corporation. darf dieses Handbuch auf irgendeine Art nicht reproduziert oder übermittelt werden.

IHR TOHATSU AUßENBORDMOTOR

ENOM00006-A

Sehr geehrter Kunde

Vielen Dank, dass Sie einen TOHATSU Außenbordmotor gewählt haben. Sie sind jetzt stolzer Besitzer eines hervorragenden Außenborders, der Ihnen viele Jahre gute Dienste leisten wird.

Dieses Handbuch sollte vollständig durchgelesen werden und die beschriebenen Inspektions- und Wartungsvorschriften, die in diesem Handbuch später beschrieben werden, gewissenhaft befolgt werden. Sollten beim Außenborder Probleme aufkommen, dann folgen Sie bitte den Anweisungen am Ende dieses Handbuchs unter "Fehlersuche". Sollte das Problem weiter bestehen, kontaktieren Sie bitte eine offizielle TOHATSU Werkstatt oder einen Vertragshändler.

Bitte bewahren Sie dieses Handbuch zusammen mit dem Außenbordmotor als Referenz für alle auf, die den Außenbordmotor benutzen. Sollte der Außenbordmotor weiterverkauft werden, stellen Sie sicher, dass dem neuen Eigentümer dieses Handbuch ausgehändigt wird.

Wir hoffen, dass Sie mit Ihrem Außenborder Freude haben werden und wünschen Ihnen bei Ihren Bootstouren viel Spaß.

TOHATSU CORPORATION

ENOM00113-0

EG-Konformitätserklärung

Dieses Produkt entspricht bestimmten Teilen der Richtlinie des Europäischen Parlaments. Die Konformitätserklärung enthält die folgenden Angaben:

- Name und Anschrift des Herstellers.
- Angewendete Gemeinschaftsrichtlinien
- Referenzstandard
- Beschreibung des Produkts. (Modellbezeichnung und Seriennummer)
- Unterschrift der verantwortlichen Person (Name / Titel / Datum und Ort der Ausstellung).

ENOM00002-0

REGISTRIERUNG UND IDENTIFIKATION DES EIGENTÜMERS

Achten Sie beim Kauf dieses Produkts darauf, dass die GARANTIEKARTE korrekt und vollständig ausgefüllt ist und an die Adresse geschickt wird, die auf der Karte angegeben ist. Diese GARANTIEKARTE identifiziert Sie als den legalen Besitzer des Produkts und dient Ihnen als Ihre Garantiregistrierung.

IN ÜBEREINSTIMMUNG MIT DER GELTENDEN GESETZGEBUNG BESTEHT FÜR IHREN AUßENBORDER KEINE GARANTIE, WENN DIESER ABLAUF NICHT EINGEHALTEN WIRD.

ENOM00003-0

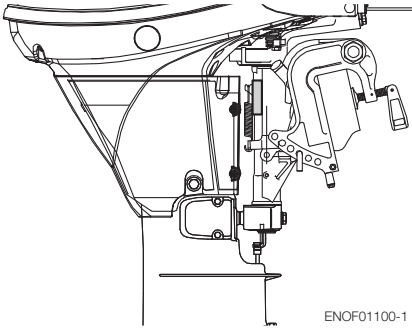
ÜBERPRÜFUNG VOR DER AUSLIEFERUNG

Stellen Sie sicher, dass das Produkt von einem Vertragshändler von TOHATSU überprüft wurde, bevor Sie es entgegennehmen.

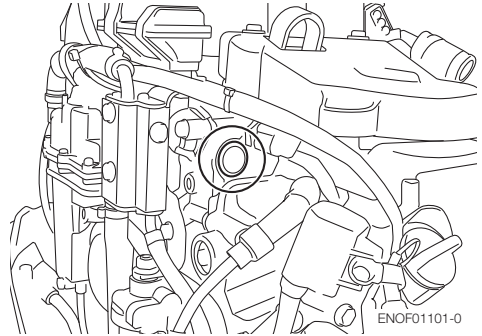
ENOM00005-A

Seriennummer

Bitte notieren Sie in dem unteren Feld die Seriennummer des Außenborders (ersichtlich auf der Schwenkkonsole und auf dem Zylinderblock). Die Seriennummer wird zur Bestellung von Ersatzteilen benötigt und wenn Fragen gestellt werden, die die Technik oder Garantie betreffen.

Seriennummer:

Seriennummer:



Kaufdatum:

ENOM00007-0

MITTEILUNG: GEFAHR/WARNUNG/VORSICHT/Anmerkung

Bevor Sie Ihren Außenborder anbringen, in Betrieb nehmen oder anderweitig bedienen, versichern Sie sich, dass Sie dieses Handbuch vollständig durchgelesen und verstanden haben und alle Anweisungen mit Vorsicht befolgen werden. Besonders wichtig sind die Informationen, die mit den Worten "GEFAHR", "WARNUNG", "VORSICHT" und "Anmerkung" vorstehend vermerkt sind. Bitte beachten Sie diese Informationen besonders, um jederzeit den sicheren Betrieb Ihres Außenborders zu gewährleisten.

ENOW00001-0



Nichtbeachtung führt zu ernstern Verletzungen, Tod oder möglichen Sachschäden.

ENOW00002-0



Nichtbeachtung kann zu ernstern Verletzungen, Tod oder Sachschäden führen.

ENOW00003-0



Nichtbeachtung kann zu ernstern Verletzungen oder Sachschäden führen.

ENON00001-0

Anmerkung

Diese Anweisung bietet spezielle Informationen, die den Betrieb oder Wartung des Außenborders erleichtern oder wichtige Punkte klären.

INHALT

1. ALLGEMEINE SICHERHEITSINFORMATIONEN	10
2. TECHNISCHE DATEN	12
3. BEZEICHNUNG DER TEILE	15
4. POSITIONEN DER HINWEISSCHILDER	19
5. INSTALLATION	23
1. Montage des Außenborders am Boot	23
2. Einbau der Fernschaltbox	26
3. Batterieeinbau	26
4. TOCS (Tohatsu Onboard Communication System) Installation	28
6. VORBEREITUNG AUF DEN BETRIEB	29
1. Umgang mit Kraftstoff	29
2. Kraftstoff einfüllen	30
3. Motorölempfehlung	31
4. Einlaufphase	33
5. Warnsystem	34
7. MOTORBETRIEB	37
Vor dem Start	37
1. Kraftstoffversorgung	37
2. Starten des Motors	38
3. Motor warmlaufen lassen	45
4. Vorwärts, rückwärts und Beschleunigung	46
5. Motor stoppen	49
6. Lenkung	52
7. Trimmwinkel	53
8. Hochkippen und Abkippen	55
9. Betrieb im Flachwasser	58
8. ABBAU UND TRANSPORT DES AUSSENBORDERS	60
1. Abbau des Außenborders	60
2. Transport des Außenborders	60
3. Anhängertransport	61
9. EINSTELLUNG	63
1. Lenkwiderstand	63
2. Widerstand des Gasgriffs	63
3. Widerstand des Fernschalthebels	63
4. Trimmflossen-Einstellung	64
10. INSPEKTION UND WARTUNG	65
1. Tägliche Inspektion	66
2. Regelmäßige Inspektion	71
3. Lagerung außerhalb der Saison	85
4. Überprüfen vor Saisonbeginn	88
5. Eingetauchter Außenbordmotor	89
6. Vorkehrungen bei kaltem Wetter	89
7. Auf einen Gegenstand unter Wasser schlagen	89
8. Betrieb mit mehreren Außenbordmotoren	90

11. FEHLERBEHEBUNG.....	91
12. ZUBEHORSATZ.....	94
13. PROPELLERTABELLE	95

INHALTSVERZEICHNIS



1	ALLGEMEINE SICHERHEITSINFORMATIONEN	1
2	TECHNISCHE DATEN	2
3	BEZEICHNUNG DER TEILE	3
4	POSITIONEN DER HINWEISSCHILDER	4
5	INSTALLATION	5
6	VORBEREITUNG AUF DEN BETRIEB	6
7	MOTORBETRIEB	7
8	ABBAU UND TRANSPORT DES AUSSENBORDERS	8
9	EINSTELLUNGEN	9
10	INSPEKTION UND WARTUNG	10
11	FEHLERBEHEBUNG	11
12	ZUBEHÖRSATZ	12
13	PROPELLERTABELLE	13

ALLGEMEINE SICHERHEITSINFORMATIONEN

ENOM00009-0

SICHERERER BOOTSBETRIEB

Als Bootsführer sind Sie für die Sicherheit der Passagiere an Bord und für die der Passagiere anderer Boote, die sich in Ihrer Nähe befinden, sowie dem Einhalten der lokalen Schifffahrtsregelungen verantwortlich. Sie sollten die entsprechenden Kenntnisse besitzen, um das Boot, den Außenborder und weiteres Zubehör zu bedienen. Lesen Sie sich dieses Handbuch bitte aufmerksam durch, um zu lernen, wie der Außenborder korrekt bedient und gewartet wird.

Für eine im Wasser stehende oder schwimmende Person ist es sehr schwer, einem Motorboot auszuweichen, das Kurs auf sie nimmt, selbst bei langsamer Geschwindigkeit. Deshalb sollte man den Außenborder auf Leerlauf stellen und ausschalten, sofern sich Personen in unmittelbarer Nähe des Bootes aufhalten.

ENOW00005-0

WARNUNG

GERÄT EINE IM WASSER BEFINDLICHE PERSON IN KONTAKT MIT EINEM FAHRENDEN BOOT, DESSEN GETRIEBEGEHÄUSE, PROPELLER ODER ANDEREN BAUTEILEN, DIE FEST AM BOOT ODER GETRIEBEGEHÄUSE BEFESTIGT SIND, KANN ES ZU SCHWEREN VERLETZUNGEN KOMMEN.

ENOM00008-A

NOTAUSSCHALTER

Der Notausschalter bringt den Außenborder zum Stillstand, wenn die Reißleine des Stoppschalters gezogen wird. Diese Reißleine muss mit dem Bootsführer verbunden sein, um Verletzungen durch den Propeller zu minimieren oder zu verhindern, sofern der Bootsführer über Bord geht.

Es ist die Verantwortung des Bootsführers, die Reißleine des Notausschalters zu benutzen.

ENOW00004-A

WARNUNG

Eine versehentliche Auslösung des Notausschalters (z. B. ein Ziehen der Leine auf hoher See) kann dazu führen, dass Passagiere das Gleichgewicht verlieren und sogar über Bord gehen können oder zu einem Leistungsverlust bei hoher See, starken Strömungen oder Winden. Ein Kontrollverlust beim Vertäuen ist ein weiteres Gefahrenpotenzial.

Um die versehentliche Auslösung des Notausschalters zu minimieren, ist die 500 mm (20 in.) lange Reißleine aufgewickelt und kann auf 1300 mm (51 in.) ausgezogen werden.

ENOM00800-A

RETTUNGSSCHWIMMKÖRPER

Als Bootsführer/Fahrer und Passagier sind Sie während Ihres Aufenthalts auf dem Boot dafür verantwortlich, einen PFD (Rettungsschwimmkörper) zu tragen.

ENOM00010-0

WARTUNG, ERSATZTEILE & SCHMIERSTOFFE

Wir empfehlen, dass der Kundendienst oder die Wartung dieses Außenborders nur von einem Vertragshändler durchgeführt werden sollte. Versichern Sie sich, dass nur Originalersatzteile, Originalschmierstoffe oder empfohlene Schmierstoffe verwendet werden.

ENOM00011-A

WARTUNG

Als Eigentümer dieses Außenbordmotors sollten Sie mit den korrekten Wartungsmaßnahmen vertraut sein, indem Sie die Wartungssektion dieses Handbuchs befolgen (siehe page 65). Der Bootsführer ist dafür verantwortlich, alle Sicherheitskontrollen durchzuführen und sicherzustellen, dass alle Schmierstoff- und Wartungsvorschriften einen sicheren Betrieb gewährleisten. Bitte folgen Sie allen Anweisungen in Bezug auf Schmierstoffe und Wartung. Für eine regelmäßige Inspektion an den vorgegebenen Intervallen sollten Sie den Motor zu einem Vertragshändler bringen. Eine korrekte regelmäßige Wartung und geeignete Pflege dieses Außenborders verringert das Auftreten von Problemen und begrenzt die allgemeinen Betriebskosten.

Gefahr einer Kohlenmonoxidvergiftung

Die Abgase enthalten Kohlenmonoxid, ein farbloses und geruchloses Gas. Das Gas kann tödlich sein, wenn es über einen längeren Zeitraum eingeatmet wird.

Starten oder nehmen Sie den Motor nie in einem Gebäude oder einem Raum in Betrieb, der nicht ausreichend belüftet ist.

Kraftstoff

Kraftstoffe und ihre Dämpfe sind stark entflammbar und können explodieren. Seien Sie besonders vorsichtig bei dem Umgang mit Kraftstoff. Wenn Sie dieses Handbuch durchlesen, sollten Sie sich mit dem korrekten Umgang von Benzin auskennen.

TECHNISCHE DATEN

ENOM00810-A

MODELLEIGENSCHAFT

Modell		MFS25C			MFS30C		
Typ		MF	EP	EPT	MF	EP	EPT
Spiegelhöhen	S	●	●	●	●	●	●
	L	●	●	●	●	●	●
Steuerpinne		●			●		
Multifunktionssteuerpinne			(●)*1	(●)*1		(●)*1	(●)*1
Fernschaltbox			●	●		●	●
Powertrimm				●			●
Gas-unterstütztes Kippen							
Manuelle Neigung		●	●		●	●	

*1: Option

ENOM00811-A

BEISPIEL MODELLNAME

F 30C EPTL

F	30	C	E	P	T	L
Modellbeschreibung	PS-Leistung	Produktgeneration	Anlasser System	Lenkung System	Kippsystem	Schaftlänge
F= Viertakt D= Zweitakt DI	-	A und höher	E= Elektrostart Leer = Manueller Start	P = Fernbedienung (Vergnügen) F = Steuerpinne (Fisher) *Multifunktionale Steuerpinne ist als Zubehör erhältlich	T= Powertrimm- und Kippsystem G = Gas-unterstützt Leer = Manuelles Kippen	S = Kurz 15 in L = Lang 20 in UL = Ultralang 25 in

ENOM00013-0

MF, E, EP

2

Gegenstand	MODELL	25C/30C		
		MF	E (Mit Multifunktionaler Steuerpinne: Optional)	EP
Gesamtlänge	mm (in)	1038 (40.9)	1303 (52.3)	726 (28.6)
Gesamtbreite	mm (in)	411 (16.2)		
Gesamthöhe S-L	mm (in)	1189(46.8) 1337 (52.6)		
Höhe Heckspiegel S-L	mm (in)	404 (15.9) 552 (21.7)		
Gewicht * 1	S kg (lb)	71.5 (158)	77.0 (170)	73 (161)
	L kg (lb)	73 (161)	78.5 (173)	74.5 (164)
Leistung	kW (ps)	25C : 18.4 (25) 30C : 22.1 (30)		
Max. Drehzahlbereich	min ⁻¹ (rpm)	25C : 5000-6000 30C : 5250-6250		
Leerlaufdrehzahl	min ⁻¹ (rpm)	850 ±30		
Motortyp		Viertaktmotor, Kraftstoffeinspritzung		
Anzahl der Zylinder		3		
Bohrung x Hubraum	mm (in)	61 x 60 (2.40 x 2.36)		
Hubvolumen	cm ³ (Cu in)	526 (32.09)		
Abgassystem		Propellernabenauspuff		
Kühlsystem		Wasserkühlung		
Schmiersystem		Trochoidpumpe		
Startsystem		Manuell (Handbetrieb)	Elektrischer Startermotor*2	
Zündung		CDI Zündung mit Magnetschwungrad		
Zündkerze		NGK DCPR6E		
Trimmpositionen		6		
Motoröl	mL (fl.oz.)	API SH, SJ oder SL, 10W-30/40 ca. 1800 (63.3)		
Getriebeöl	mL (fl.oz.)	Original Getriebeöl oder API GL5,SAE #80-90, ca. 360 (12.2)		
Brennstoff		Unverbleites Normalbenzin: Ausgewiesene 87 Oktan (Nach einer Mindestoktanzahl von 91 wird recherchiert)		
Kraftstofftankkapazität	L (US gal)	25 (6.60)		
Getriebeübersetzung		2.17 (12 : 26)		
Emissionsschutzkontrollsystem		MFI (Mehrfach-Kraftstoffeinspritzung)		
Bediener Schalldruck (ICOMIA 39/94) dB (A)		80.4		
Handvibrationsniveau (ICOMIA 38/94) m/s ²		2.8		.

Hinweis: Die Spezifikationen können sich ohne vorigen Hinweis ändern.

*1 Ohne Propeller, mit Batteriekabel.

* 2 mit Handbuch

Die Nennleistung des Tohatsu Außenbordmotors erfüllt die ISO-Norm 8665 (Propellerwellenleistung).

ENOM00015-0

ET (mit Multifunktionssteuerpinne), EPT

Gegenstand	MODELL	25C/30C	
		ET (Mit Multifunktionaler Steuerpinne: Optional)	EPT
Gesamtlänge	mm (in)	1303 (52.3)	726 (28.6)
Gesamtbreite	mm (in)	411 (16.2)	
Gesamthöhe S-L	mm (in)	1189 (46.8)	1337 (52.6)
Höhe Heckspiegel S-L	mm (in)	404 (15.9)	552 (21.7)
Gewicht * 1	S kg (lb)	85 (187)	81 (179)
	L kg (lb)	86.5 (191)	82.5 (182)
Leistung	kW (ps)	25C : 18.4 (25) 30C : 22.1 (30)	
Max. Drehzahlbereich	min ⁻¹ (rpm)	25C : 5000-6000 30C : 5250-6250	
Leerlaufdrehzahl	min ⁻¹ (rpm)	850 ±30	
Motortyp		Viertaktmotor, Kraftstoffeinspritzung	
Anzahl der Zylinder		3	
Bohrung x Hubraum	mm (in)	61 x 60 (2.40 x 2.36)	
Hubvolumen	cm ³ (Cu in)	526 (32.09)	
Abgassystem		Propellernabenauspuff	
Kühlsystem		Wasserkühlung	
Schmiersystem		Trochoidpumpe	
Startsystem		Elektrischer Startermotor*2	
Zündung		CDI Zündung mit Magnetschwungrad	
Zündkerze		NGK DCPR6E	
Trimmpositionen		4	
Motoröl	mL (fl.oz.)	API SH, SJ or SL, 10W-30/40 ca. 1800 (63.3)	
Getriebeöl	mL (fl.oz.)	Original Getriebeöl oder API GL5, SAE #80-90, ca. 360 (12.2)	
Brennstoff		Unverbleites Normalbenzin: Ausgewiesene 87 Oktan (Nach einer Mindestoktanzahl von 91 wird recherchiert)	
Kraftstofftankkapazität	L (US gal)	25 (6.60)	
Getriebeübersetzung		2.17 (12 : 26)	
Emissionsschutzkontrollsystem		MFI (Mehrfach-Kraftstoffeinspritzung)	
Bediener Schalldruck (ICOMIA 39/94) dB (A)		80.4	
Handvibrationsniveau (ICOMIA 38/94) m/s ²		2.8	.

Hinweis: Die Spezifikationen können sich ohne vorigen Hinweis ändern.

*1 Ohne Propeller, mit Batteriekabel.

* 2 mit Handbuch

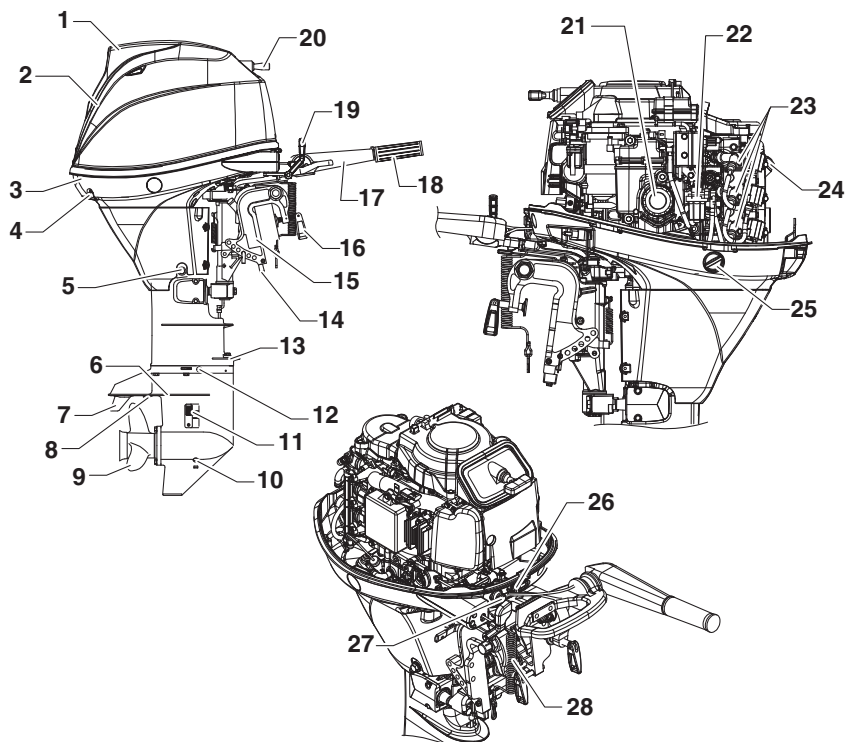
Die Nennleistung des Tohatsu Außenbordmotors erfüllt die ISO-Norm 8665 (Propellerwellenleistung).

BEZEICHNUNG DER TEILE

ENOM00820-0

MF

3



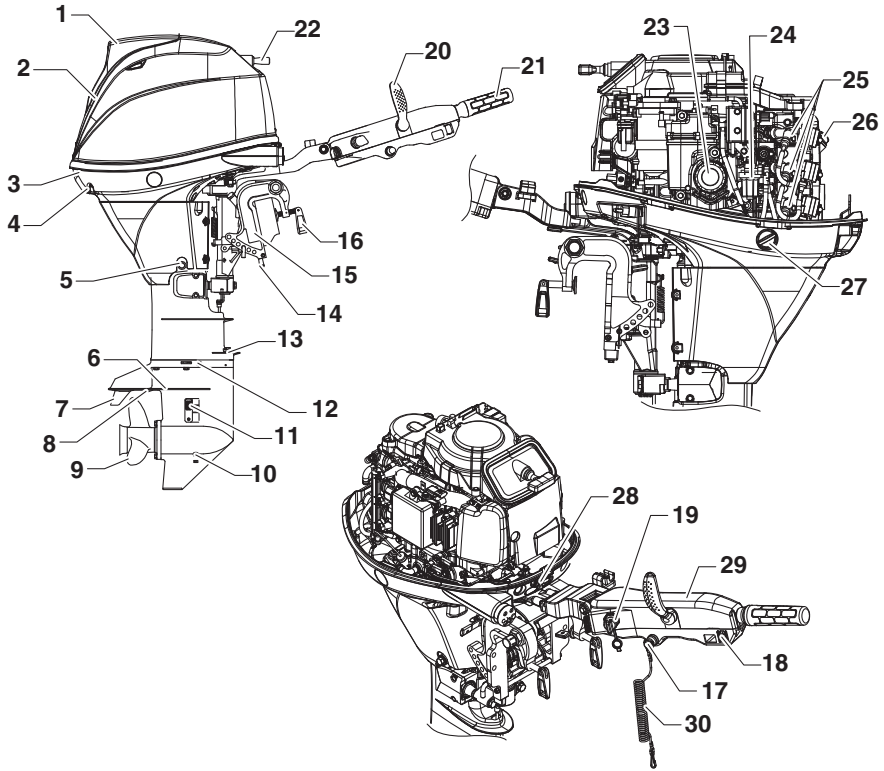
- | | | |
|---------------------------------|------------------------|----------------------------|
| 1 Kippgriff | 13 Spritzblech | 25 Spülanschlussdeckel |
| 2 Obere Motorabdeckung | 14 Anode | 26 Warnlampe |
| 3 Untere Motorabdeckung | 15 Klemmhalterung | 27 Stoppschalter |
| 4 Kühlwasserkontrollöffnung | 16 Klemmschraube | 28 Reißleine Stoppschalter |
| 5 Ölablassschraube | 17 Steuerpinne | |
| 6 Antikavitationsplatte | 18 Gasgriff | |
| 7 Trimmflosse | 19 Schalthebel | |
| 8 Wassertandsanzeige | 20 Rückholstarterhebel | |
| 9 Propeller | 21 Ölfilter | |
| 10 Unterer Ölstopfen (Befüllen) | 22 Kraftstofffilter | |
| 11 Kühlwassereinlass | 23 Zündkerze | |
| 12 Oberer Ölstopfen (Füllstand) | 24 Öltankverschluss | |

ENOF01135-0

ENOM00020-0

E (mit Multifunktionssteuerpinne), EP

3



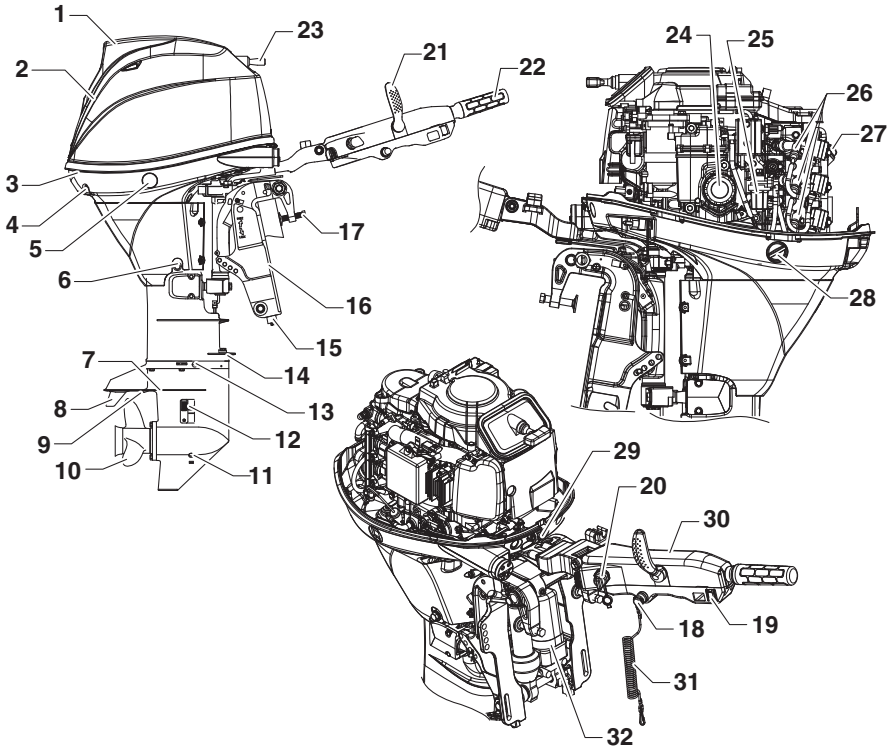
ENOF01136-0

- | | | |
|---------------------------------|------------------------|---------------------------------------|
| 1 Kippgriff | 13 Spritzblech | 25 Zündkerze |
| 2 Obere Motorabdeckung | 14 Anode | 26 Öltankverschluss |
| 3 Untere Motorabdeckung | 15 Klemmhalterung | 27 Spülanschlussdeckel |
| 4 Kühlwasserkontrollöffnung | 16 Klemmschraube | 28 Warnlampe |
| 5 Ölablassschraube | 17 Stoppschalter | 29 Multifunktionssteuerpinne-Griff |
| 6 Antikavitationsplatte | 18 PT-Schalter *1 | *2 |
| 7 Trimmflosse | 19 Schlüsselschalter | 30 Reißleine Stoppschalter |
| 8 Wassertandsanzeige | 20 Schalthebel | *1: Nicht für die Verwendung geeignet |
| 9 Propeller | 21 Gasgriff | *2: Option |
| 10 Unterer Ölstopfen (Befüllen) | 22 Rückholstarterhebel | |
| 11 Kühlwassereinlass | 23 Ölfilter | |
| 12 Oberer Ölstopfen (Füllstand) | 24 Kraftstofffilter | |

ENOM00020-0

ET (mit Multifunktionssteuerpinne), EPT

3



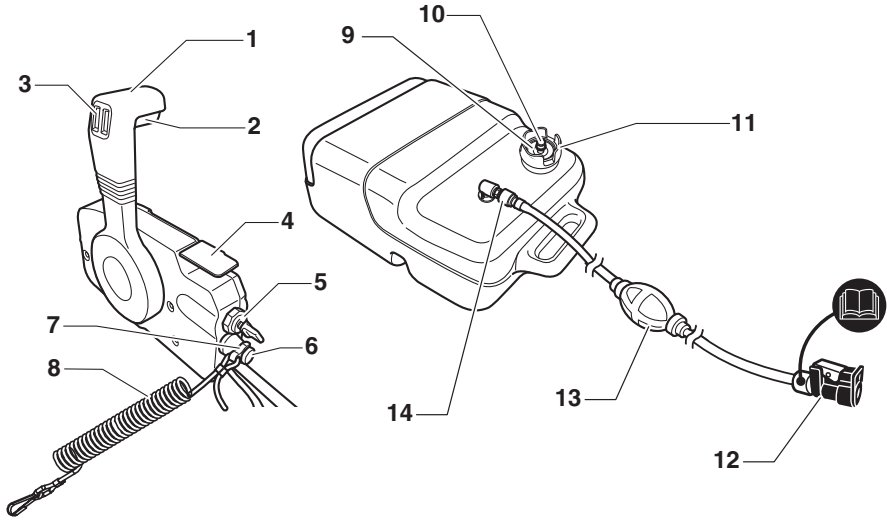
- | | | |
|---------------------------------|---------------------------------|--|
| 1 Kippgriff | 13 Oberer Ölstopfen (Füllstand) | 25 Kraftstofffilter |
| 2 Obere Motorabdeckung | 14 Spritzblech | 26 Zündkerze |
| 3 Untere Motorabdeckung | 15 Anode | 27 Öltankverschluss |
| 4 Kühlwasserkontrollöffnung | 16 Klemmhalterung | 28 Spülanschlussdeckel |
| 5 PT-Schalter | 17 Klemmschraube | 29 Warnlampe |
| 6 Ölablassschraube | 18 Stoppschalter | 30 Multifunktionssteuerpinne-Griff
*1 |
| 7 Antikavitationsplatte | 19 PT-Schalter | 31 Reißleine Stoppschalter |
| 8 Trimmflosse | 20 Schlüsselschalter | 32 Powertrimm- und Kippsystem |
| 9 Wassertandsanzeige | 21 Schalthebel | *1: Option |
| 10 Propeller | 22 Gasgriff | |
| 11 Unterer Ölstopfen (Befüllen) | 23 Rückholstarterhebel | |
| 12 Kühlwassereinlass | 24 Ölfilter | |

ENOF01137-0

ENOM00822-0

Fernschaltbox & Kraftstofftank

3



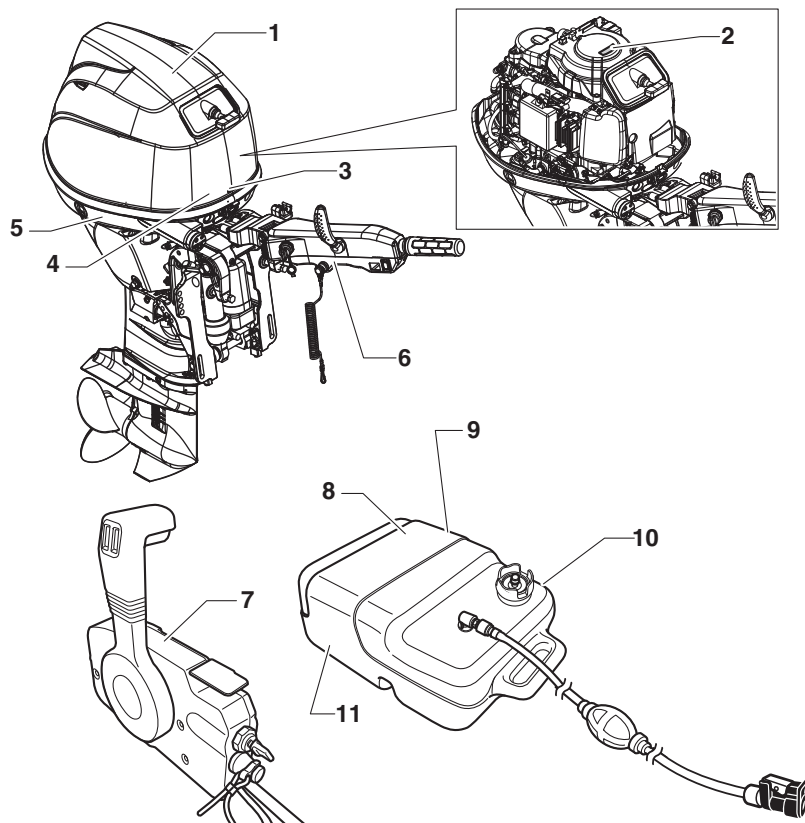
ENOF00127-C

- | | | | |
|---|-------------------------|----|--------------------------------------|
| 1 | Bedienhebel | 9 | Kraftstoffanzeige |
| 2 | Leerlaufsperrhebel | 10 | Entlüftungsschraube |
| 3 | PTT Schalter | 11 | Tankdeckel |
| 4 | Freier Gashebel | 12 | Kraftstoffanschluss
(motorseitig) |
| 5 | Zündschloss | 13 | Pumpball |
| 6 | Stoppschalter | 14 | Kraftstoffanschluss (tankseitig) |
| 7 | Stoppschaltersperre | | |
| 8 | Reißleine Stoppschalter | | |

POSITIONEN DER HINWEISSCHILDER

ENOM00019-A

Positionen der Warnhinweise



4

ENOF01134-1

1. Warnhinweise deutet darauf hin, die Bedienungsanleitung zu lesen.



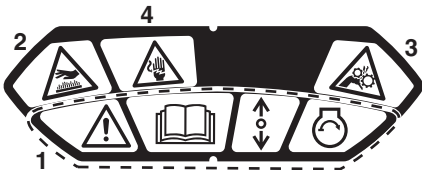
ENOF00120-0

- 2-1. Warnung bezüglich eines Notstart (siehe 43).

- 2-2. Warnung bezüglich Hochtemperatur.

- 2-3. Warnung vor rotierender Gegenstände.

- 2-4. Hochspannungswarnung



3PA-72181-100

3. Warnhinweise in Bezug auf Schaden/ Fehlfunktion des Motors (siehe 34).



ENOF00130-0

4. Warnhinweis bezüglich des Stoppschalters (siehe Seite 40,41 und 50, 51)



ENOF00131-B

5. Warnhinweis bezüglich Position des Außenbordmotors beim Absetzen.



ENOF00006-0

Für das Steuerpinnenmodell

6. Warnhinweis bezüglich des Stoppschalters (siehe Seite 40,41 und 50, 51)



ENOF00005-P

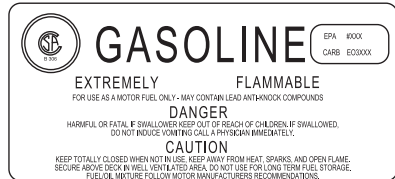
Für das RC Modell

7. Warnhinweis in Bezug auf die Reißleine des Notausschalters.



ENOF00005-D

8. Kraftstoffwarnung.



ENOF00005-E

9. Kraftstoffwarnung (siehe 29).



ENOF00005-L

10. Kraftstoffwarnung (siehe 29).



ENOF00005-M

11. Kraftstoffwarnung (siehe 29).

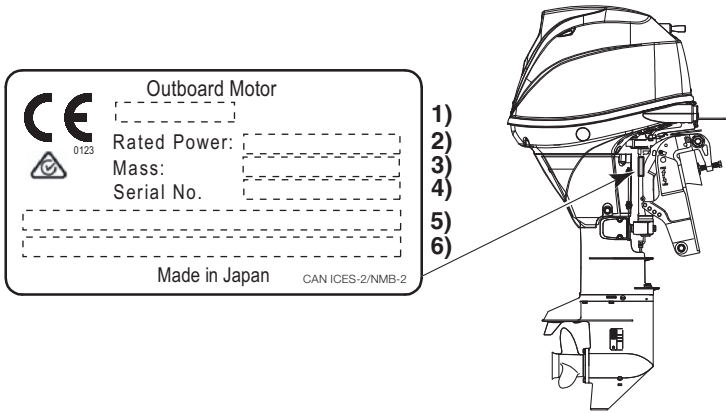


ENOF00005-F

ENOM00019-B

Positionen der CE Etiketten

4



ENOF01129-1

- 1. Modellcode (Modellname)
- 2. Nennleistung
- 3. Trockengewicht (ohne Propeller, mit Batteriekabel)
- 4. Serien-Nr.
- 5. Herstellername
- 6. Herstelleradresse

Beschreibung des Seriennummer-Jahrescodes
 Die letzten beiden Stellen der Buchstaben stellen das Produktionsjahr dar, wie unten angegeben.

Jahrescode	AG	AH	AK	BX	BA
Herstellungsjahr	2017	2018	2019	2020	2021

INSTALLATION

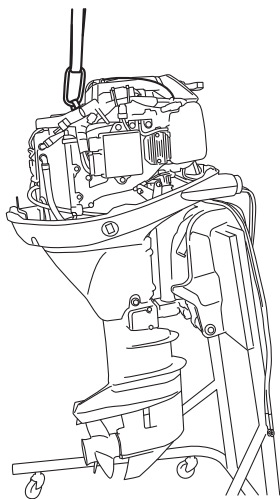
ENOM00024-A

1. Montage des Außenborders am Boot

ENOW00006-B

! WARNUNG

Bevor der Außenbordmotor am Boot montiert wird, hängen Sie den Außenbordmotor an einem Flaschenzug oder ähnlichem Gerät auf, indem Sie den Motoraufhänger am Außenborder befestigen. Verwenden Sie einen Flaschenzug mit einem zulässigen Gesamtgewicht von 150 kg (330 lbs) oder mehr.



ENOF01102-0

ENOW00006-0

! WARNUNG

Die meisten Boote sind auf ihren maximalen PS-Wert ausgelegt und zugelassen, wie es auf dem Typenschild des Boots zu sehen ist. Rüsten Sie Ihr Boot nicht mit einem Außenborder aus, der diese Begrenzung überschreitet. Wenn Sie

Zweifel haben, kontaktieren Sie Ihren Vertragshändler.

Nehmen Sie den Außenborder nicht in Betrieb, bis er gemäß der folgenden Anweisungen sicher am Boot montiert ist.

ENOW00009-0

! WARNUNG

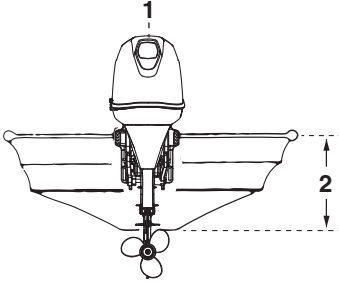
- Wenn der Außenborder ohne die Anleitungen dieses Handbuchs montiert wird, kann dies zu unsicheren Umständen führen wie schlechte Manövrierfähigkeit, Kontrollverlust oder Feuer.
- Lockere Klemmschrauben und/oder Befestigungsschrauben können dazu führen, dass sich der Außenborder löst oder verschiebt, was zu einem Kontrollverlust und/oder schweren Verletzungen führen kann. Versichern Sie sich, dass die Verschlüsse mit dem entsprechenden Drehmoment angezogen werden (30 N·m (3.0 kgf·m) 13 ft·lb). Kontrollieren Sie die Verschlüsse von Zeit zu Zeit auf ihre Festigkeit.
- Versichern Sie sich, dass die Befestigungsschlüsse des Außenborders verwendet werden, die im Paket des Außenborders geliefert werden, oder andere, die der gleichen Größe, Material, Qualität und Stärke entsprechen. Ziehen Sie die Verschlüsse mit dem entsprechenden Drehmoment fest (30 N·m (3.0 kgf·m) 13 ft·lb). Testfahrt, um zu kontrollieren, ob die Verschlüsse sicher angezogen sind.
- Die Montage des Außenborders muss von einer ausgebildeten Person ausgeführt werden, wobei ein Kran oder Flaschenzug mit ausreichender Kapazität verwendet wird.

Die Montage des Außenborders muss von einer ausgebildeten Person ausgeführt werden, wobei ein Kran oder Flaschenzug mit ausreichender Kapazität verwendet wird.

ENOM00025-0

Position.... Über der Kiellinie

Platzieren Sie den Motor in der Bootsmittle.



ENOF01141-0

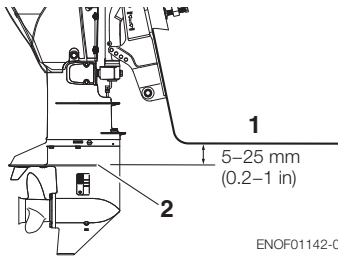
1. Bootsmittle
2. Spiegelhöhe des Boots

5

ENOM00026-0

Spiegelanpassung

Versichern Sie sich, dass die Antikavitationsplatte des Außenborders 5-25 mm (0.2-1 in) unter dem Bootsrumpf. Wenn dies aufgrund Ihrer Bootsform nicht möglich ist, kontaktieren Sie bitte Ihren Vertragshändler.



ENOF1142-0

1. Bootsrumpf
2. Antikavitationsplatte

ENOW00007-0

! VORSICHT

- **Bevor Sie einen Probelauf starten, kontrollieren Sie, ob das Boot mit seiner maximalen Ladekapazität ordnungsgemäß im Wasser liegt. Kontrollieren Sie am**

Antriebswellengehäuse den Stand der Wasseroberfläche. Wenn die Wasseroberfläche in die Nähe der unteren Motorenabdeckung kommt, kann Wasser in die Zylinder des Motors eindringen.

- Eine falsche Höhe bei der Montage des Außenborders oder Gegenstände unter Wasser sowie das Schiffsrumpfdesign, die Bedingungen der Rumpfoberfläche oder Zubehör unter Wasser können dazu führen, dass bei der Fahrt Wasser durch eine Öffnung der unteren Motorabdeckung in den Motorraum gelangt. Sollte der Motor diesen Bedingungen längere Zeiträume ausgesetzt sein, kann dies zu schwerwiegenden Motorschäden führen.

ENOM00830-A

Befestigungsschrauben

Manueller Neigungs-Typ

1. Um den Motor am Boot zu befestigen, ziehen Sie die Klemmschrauben durch Drehen der Griffe an.

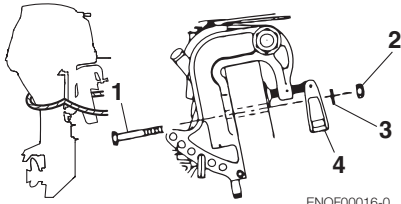
Benutzen Sie weiterhin die Montageschrauben, um die Spiegelhalterung des Außenborders am Bootsspiegel zu befestigen.

Sichern Sie den Außenborder mit einem Seil, um zu vermeiden, dass der Motor über Bord geht.

ENON00002-0

Anmerkung

Ein Seil gehört nicht zur Standardausrüstung.



ENOF00016-0

1. Schraube (8 x 85)
2. Mutter
3. Unterlegscheibe
4. Klemmschraube

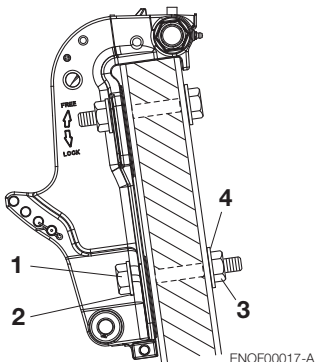
ENOW00945-0

! VORSICHT

- Bitte prüfen Sie vor der Abfahrt, ob eine Lockerung der Klemmschraube oder Befestigungsschrauben vorliegt.
- Eine Lockerung kann zu gefährlichen Situationen, beispielsweise Kontrollverlust, führen.

PTT-Typ

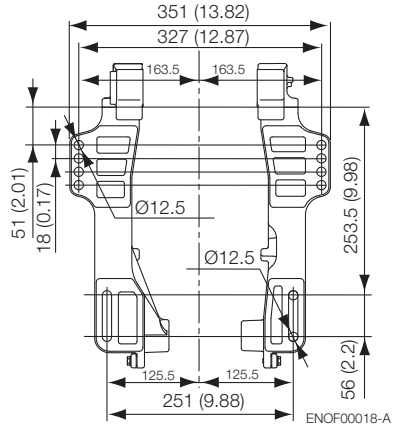
1. Um den Außenbordmotor am Boot anzubringen, verwenden Sie die Schrauben, um die Halterung des Außenborders am Bootsspiegel zu sichern.



ENOF00017-A

1. Schraube (12 ? 105)
2. Unterlegscheibe (kleiner Durchmesser)

3. Mutter
4. Unterlegscheibe (großer Durchmesser)



ENOF00018-A

ENOW00008-A

! VORSICHT

- Die Köpfe der Befestigungsschrauben sind auf der Spiegelinnenseite zu montieren. **Montierte Befestigungsschrauben mit dem Gewindeende an der Spiegelinnenseite können zu Verletzungen führen.**
- Ziehen Sie die Schrauben ausreichend fest, um das Loslösen von dem Außenbord zu vermeiden.

ENON00003-0

Anmerkungen

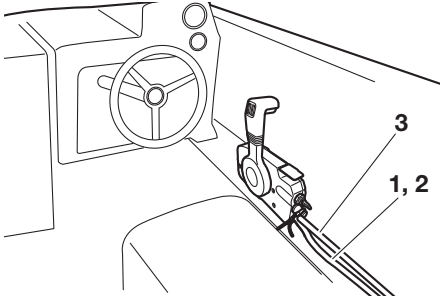
1. Tragen Sie zwischen den Schrauben und dem Bootsspiegel eine Dichtmasse wie z. B. Silikon auf, bevor Sie die Schrauben festziehen.
2. Versichern Sie sich, dass die Muttern der Befestigungsschrauben mit dem entsprechenden Drehmoment angezogen werden.
(30 N·m (3.0 kgf·m) 13 ft·lb)

ENOM00840-0

2. Einbau der Fernschaltbox

ENOW00850-0

Position Fernschaltbox



ENOF00841-0

1. Seilzug für die Schaltung
2. Seilzug der Drosselklappe
3. Kabelbaum B

Installieren Sie die Fernschaltbox in einer Position, in der sie einfach zugänglich und zu bedienen ist.

Versichern Sie sich, dass es keine Hindernisse gibt, die den Betrieb mit dem Seilzug der Fernschaltbox behindern könnten.

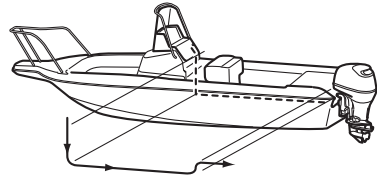
ENOW00850-0

Kabellänge Fernschaltbox

ENOW00100-A

⚠ VORSICHT

Achten Sie darauf, dass die Seilzüge nicht mit einem kleineren Durchmesser als 406 mm (16 in.) eingerollt werden. Ansonsten wird die Lebensdauer des Seilzugs beeinflusst.



ENOF00842-0

Messen Sie die Entfernung der Strecke, auf der die Seilzüge von der Fernschaltbox bis zum Außenbordmotor verlegt werden muss.

Bereiten Sie einen Seilzug vor, das 300-450mm (11.8-17.7in) länger ist, als die gemessene Entfernung.

Legen Sie den Seilzug provisorisch auf die vorgesehene Strecke, um zu sehen, ob es eine ausreichende Länge hat.

Verbinden Sie den Seilzug mit dem Motor, dann verlegen Sie den Seilzug bis zur Fernschaltbox und stellen sicher, dass es nicht abgeknickt oder zu stramm gespannt ist. Ebenso muss auf Hindernisse geachtet werden, die die Steuerung beeinflussen könnten.

ENOM00029-A

3. Batterieeinbau

ENOW00012-0

⚠ WARNUNG

Die Batterieflüssigkeit enthält Schwefelsäure, die gefährlich ist und beim Kontakt mit Ihrer Haut zu Verbrennungen oder beim Herunterschlucken zu Vergiftungen führen kann.

Halten Sie die Batterie und Batterieflüssigkeit von Kindern fern.

Beim Umgang mit der Batterie, versichern Sie sich, dass:

- alle Warnhinweise auf der Batterie gelesen werden.
- Vermeiden Sie den Körperkontakt mit der Batterieflüssigkeit. Dies kann zu schweren Verbrennungen führen oder, wenn die Batterieflüssigkeit mit Ihren Augen in Berührung kommen sollte, zur Erblindung. Sicherheitsbrillen und Gummihandschuhe benutzt werden.

Sollte Batterieflüssigkeit mit:

- der Haut in Kontakt kommen, spülen Sie gründlich mit Wasser nach.
- den Augen in Kontakt kommen, spülen Sie gründlich mit Wasser aus und suchen sofort ärztliche Hilfe auf.

Sollte Batterieflüssigkeit geschluckt werden:

- Suchen Sie sofort ärztliche Hilfe auf.

ENOW00013-A



Die Batterie erzeugt explosiven Wasserstoff. Versichern Sie sich, dass:

- die Batterie an einem gut belüfteten Platz geladen wird.
- die Batterie nicht neben Feuerquellen, Funken und offenen Flammen platziert wird wie z. B. Brenner oder Schweißgeräte.
- nicht in der Nähe geraucht wird, während die Batterie geladen wird.
- Laden Sie die Batterie nicht auf, wenn der Elektrolytstand niedrig ist. Andernfalls wird die Batterie beschädigt und dies kann Funktionsstörungen verursachen.

ENOW00014-0



- Versichern Sie sich, dass sich die Batteriekabel beim Manövrieren nicht zwischen dem Außenborder und dem Boot verkleben.
- Der Startermotor funktioniert nicht, wenn die Kabel falsch angeschlossen werden.

- Versichern Sie sich, dass die Plus- (+) und Minuskabel (-) richtig angeschlossen werden. Andernfalls wird das Ladesystem beschädigt.
- Klemmen Sie die Batterie nicht ab, wenn der Motor im Betrieb ist. Dabei könnten elektrische Teile Schaden nehmen.
- Verwenden Sie immer eine vollgeladene Batterie.

ENOW00015-0



Verwenden Sie keine Batterie, die nicht geeignet ist. Die Verwendung einer nicht geeigneten Batterie führt zu einer schwachen Leistung und/oder Schäden an der Elektrik.

ENON00006-A

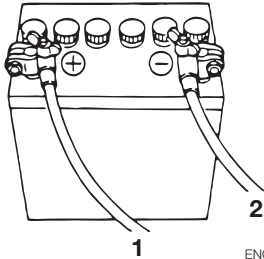
Anmerkung

Empfohlene Batterie: 12V 70Ah/5HR, 650 (Kaltstartstrom (CCA). Bei kaltem Wetter: 12V100Ah/5HR (850CCA)) Technische Daten und Eigenschaften der Batterien variieren je nach Hersteller. Für weitere Einzelheiten, erkundigen Sie sich beim Hersteller.

* Die Batterie muss separat gekauft werden und wird nicht mit dem Außenbordmotor ausgeliefert.

1. Platzieren Sie die Batterie an einer geeigneten Stelle, wo sie vor möglichem Sprühwasser geschützt ist. Befestigen Sie die Box und die Batterie, damit sie nicht verrutschen können.
2. Verbinden Sie die positive Zuleitung (+) mit dem Pluspol (+) der Batterie und schließen Sie anschließend das Minuskabel (-) an. Wenn Sie die Batterie abklemmen, entfernen Sie

zuerst das Minuskabel (-). Wenn das Pluskabel (+) angeschlossen ist, sichern Sie den Pluspol mit einer Plastikkappe, um Kurzschlüsse zu verhindern.



ENOF00022-0

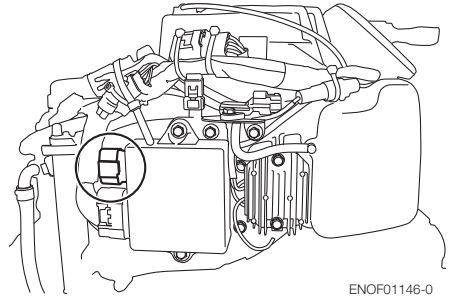
1. Batteriekabel (rot)
2. Batteriekabel (schwarz)

ENOM00971-0

4. TOCS (Tohatsu Onboard Communication System) Installation

Der TOCS (Tohatsu Onboard Communication System) Schnittstellenkoppler kann Informationen über die Motordrehzahl, den Kraftstoffverbrauch und verschiedene Fehlfunktionen über ein optionales Schnittstellenkabel ausgeben. Kontaktieren Sie einen autorisierten

Tohatsu-Händler für weitere Details.



ENOF01146-0

VORBEREITUNG AUF DEN BETRIEB

ENOM00030-A

1. Umgang mit Kraftstoff

ENOW000017-0



VORSICHT

Das Verwenden von ungeeignetem Benzin kann Ihrem Motor schaden. Motorschäden, die aufgrund der Verwendung von nicht geeignetem Benzin auftreten, werden als unsachgemäße Benutzung des Motors angesehen und die hieraus entstandenen Schäden werden von der Garantie nicht abgedeckt.

ENOM00031-A

NENNERWERTE KRAFTSTOFF

Motoren von TOHATSU funktionieren einwandfrei, wenn ein unverbleites Markenbenzin verwendet wird, das die folgenden Spezifikationen erfüllt:

USA und Kanada · ein ausgewiesener Oktanwert von mindestens 87 (R+M)/2. Superbenzin (92 [R+M]/2 Oktan) wird auch akzeptiert. Verwenden Sie kein bleihaltiges Benzin.

Außerhalb der USA und Kanada · Verwenden Sie unverbleites Benzin mit einem angegebenen Oktanwert von 91 RON oder mehr. Auch die Verwendung von Superbenzin mit 98 Oktan RON ist erlaubt.

ENOM00032-A

BENZINE, DIE ALKOHOL ENHALTEN

Die Komponenten des Kraftstoffsystems Ihres TOHATSU Motors vertragen bis zu 10% Ethylalkoholgehalt (im folgenden "Ethanol") im Benzin. Sollte das Benzin in Ihrer Gegend jedoch weniger als 10% Ethanol enthalten, sollten Sie sich gewisser nachteiliger Auswirkungen

bewusst sein, die auftreten könnten. Ein Erhöhen des Alkoholanteils im Kraftstoff kann diese nachteiligen Auswirkungen noch verschlechtern. Einige dieser nachteiligen Auswirkungen entstehen dadurch, dass der Alkohol im Benzin die Luftfeuchtigkeit absorbieren kann, was im Kraftstofftank zu einer Trennung des Wassers/Alkohols vom Benzin führt.

Dies führt zu:

- mehr Korrosion bei den Metallteilen.
- mehr Abnutzung der Gummi- oder Plastikteile
- Eindringen von Kraftstoff durch die Gummi-Kraftstoffleitungen
- Start- und Betriebsprobleme

Wenn sich die Verwendung von Benzin mit einem Alkoholanteil nicht vermeiden lässt oder Alkohol im Benzin vermutet wird, empfehlen wir einen Wassertrennfilter einzusetzen und das Kraftstoffsystem auf Lecks sowie die mechanischen Teile auf Korrosion und anormale Abnutzung öfter zu überprüfen.

Sollte eine Anomalie gefunden werden, sollten Sie das Benzin nicht mehr verwenden und sofort unseren Vertragshändler kontaktieren.

Für zusätzliche Information achten Sie bitte auf die Hinweise zur Kraftstoffverschlechterung im Kapitel LAGERUNG (S. 85), wenn der Außenbordmotor nicht regelmäßig benutzt wird.

ENOW00020-1



VORSICHT

Wenn Sie einen TOHATSU Motor mit Benzin benutzen, das Alkohol enthält, sollte das Benzin nicht über längere Zeiträume im Kraftstofftank bleiben. Lange

Lagerzeiträume führen zu spezifischen Problemen. Bei Autos wird der mit Alkohol vermischte Kraftstoff verbraucht, bevor er genug Feuchtigkeit aufnehmen kann und es somit zu Problemen kommt. Allerdings führen längere Bootlagerungszeiten dazu, dass es hier zu einer Trennung von Wasser und Benzin kommt. Dazu kommt die innere Korrosion, die bei der Lagerung auftreten kann, wenn der Alkohol die Ölschutzfilme der inneren Teile aufgelöst hat.

ENOW00018-0


WARNUNG

Kraftstofflecks können Feuer oder Explosionen verursachen und möglicherweise zu schweren Verletzungen oder zum Tod führen. Besonders nach einer langen Lagerung sollte jedes Teil des Kraftstoffsystems regelmäßig auf Lecks, Elastizität der Gummis, Spreizung und/oder Korrosion der Metalle überprüft werden. Sollten Anzeichen für Lecks oder eine Abnutzung an Teilen des Kraftstoffsystems auftreten, tauschen Sie das betreffende Teil, bevor Sie den Betrieb fortführen, sofort aus.

ENOM00043-B

2. Kraftstoff einfüllen

ENOW00019-1


WARNUNG

Füllen Sie den Kraftstofftank nicht über seine Kapazität. Bei einem Anstieg der Benzintemperatur kann sich das Benzin ausweiten und durch die offene Entlüftungsschraube entweichen. Entweichendes Benzin ist ein gefährliches Feuerrisiko.

ENOW00028-A


WARNUNG

Sollten Sie fragen zum Umgang mit Kraftstoffen haben, erkundigen Sie sich bei einem Vertragshändler.

Kraftstoffe und ihre Dämpfe sind stark entflammbar und können explodieren.

Wenn Sie einen vollen Kraftstofftank transportieren:

- Schließen Sie die den Tankverschluss und die Belüftungsschraube des Tankdeckels, da sonst Benzindämpfe durch die Belüftungsschraube austreten und eine Feuergefahr darstellen können.
- Rauchen Sie nicht.

Beim oder vor dem Tanken:

- Achten Sie darauf, die statische Elektrizität in Ihrem Körper vor dem Tanken zu entfernen.
- Die Funken einer statischen Ladung, können Explosionen von brennbaren Benzin verursachen.
- Schalten Sie den Motor aus und starten Sie ihn nicht, solange getankt wird.
- Rauchen Sie nicht.
- Seien Sie vorsichtig und überfüllen Sie den Kraftstofftank nicht. Wischen Sie übergelaufenes Benzin sofort auf.

Beim oder vor dem Reinigen des Benzintanks:

- Entfernen Sie den Kraftstofftank vom Boot.
- Halten Sie den Kraftstofftank von jeder Zündquelle wie Funken oder offenes Feuer fern.
- Erledigen Sie die Arbeit im Außenbereich oder in einem gut belüfteten Bereich.
- Wischen Sie das Benzin sofort auf, sollte etwas überlaufen.

●
Nach der Reinigung des Benzintanks:

- Wischen Sie das Benzin sofort auf, sollte etwas überlaufen.
- Wenn der Kraftstofftank zum Reinigen zerlegt wurde, bauen Sie ihn vorsichtig wieder zusammen. Ein ungenaues Zusammenbauen kann zu Kraftstofflecks führen und Feuer oder eine Explosion verursachen.
- Entsorgen Sie altes oder verschmutztes Benzin in Übereinstimmung mit den örtlichen Vorschriften.

ENOW00029-A

! WARNUNG

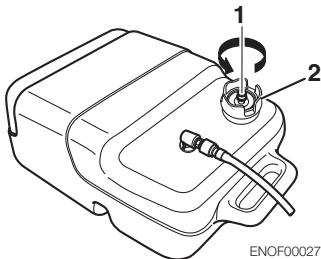
Wenn Sie den Tankverschluss öffnen, versichern Sie sich, die folgende Vorgehensweise zu befolgen. Kraftstoff kann aus dem Tankverschluss austreten, sofern sich der Deckel aufgrund einer anderen Vorgehensweise lockert, wenn der Innendruck des Kraftstofftanks durch Wärmequellen wie die Sonneneinstrahlung steigt.

ENOW00946-0

! VORSICHT

Der separate Tank muss an geeigneter Stelle befestigt werden, sodass er gut belüftet ist, und der Tank sich während des Betriebs nicht bewegt oder herunterfällt.

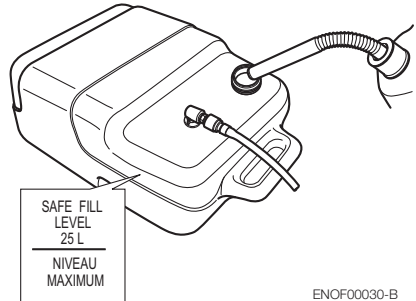
1. Öffnen Sie die Entlüftungsschraube des Tankverschlusses vollständig und lassen Sie den Innendruck ab.



ENOF00027-A

1. Entlüftungsschraube

2. Tankdeckel
2. Öffnen Sie den Kraftstofftankdeckel vorsichtig.
3. Füllen Sie den Kraftstoff vorsichtig ein, ohne dass er überläuft.



ENOF00030-B

4. Schließen Sie den Tankdeckel nach dem Befüllen des Tanks.

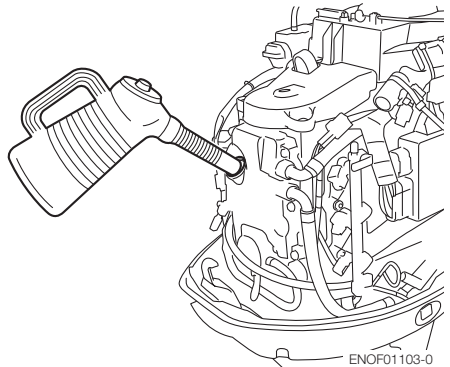
ENOM00037-A

3. Motorölempfehlung

ENOW00022-A

! VORSICHT

Das Motoröl wurde für den Transport vom Hersteller abgelassen. Vergewissern Sie sich vor dem Starten des Motors, dass der Ölstand korrekt ist. (Um das Motoröl richtig aufzufüllen, folgen Sie bitte der Anleitung, siehe page 67)



ENOF01103-0

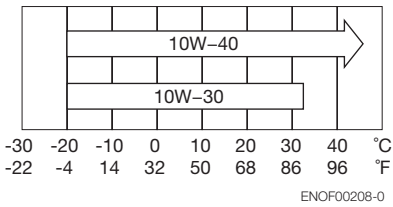
Verwenden Sie nur hochqualitatives 4-Takt Motoröl, um die Motorleistung und eine lange Lebensdauer zu gewährleisten.

Die SAE Öl-Viskosität 10W-30 oder 10W-40 FC-W wird beim Motoröl für Außenborder empfohlen.

Sie können auch Öle mit der API Bezeichnung SH, SJ oder SL verwenden.

Wählen Sie aus der untenstehenden Tabelle die erforderliche Viskosität anhand der Umgebungstemperatur aus.

6



ENOW0002A-A

⚠ VORSICHT

Die Verwendung von Motoröl, das nicht diesen Vorgaben entspricht, reduziert die Lebensdauer Ihres Motors und führt zu weiteren Motorproblemen.

JENOM00033-A

4. Einlaufphase

Ihr neuer Außenborder und die untere Geräteeinheit erfordern eine Einlaufphase, gemäß den Bedingungen, die in dem folgenden Zeitplan aufgeführt sind.

Bitte lesen Sie sich die Sektion MOTORBETRIEB (Siehe page 35) durch, um zu lernen wie Sie den Außenbordmotor richtig starten und bedienen.

ENOW00024-A

GEFAHR

Nehmen Sie den Außenborder nicht in einem geschlossenen Bereich oder ohne Zwangsbelüftung in Betrieb.

Die Abgase dieses Außenborders enthalten Kohlenmonoxid, das bei andauerndem Einatmen zum Tod führt. Die anfänglichen Symptome beim Einatmen dieses Gases sind Übelkeit, Schwindel und Kopfschmerzen.

Während des Betriebs des Außenborders:

- halten Sie das Umfeld gut belüftet.

- halten Sie sich immer auf der Luvseite der Abgase auf.

ENOW00023-1

VORSICHT

Ein Betrieb des Außenbordmotors ohne Beachtung der Einlaufphase kann die Lebensdauer verkürzen.

Sollte in der Einlaufphase irgendeine Anomalie auftreten, dann:

- brechen Sie den Betrieb sofort ab.
- lassen Sie den Händler das Produkt überprüfen, um, sofern notwendig, die geeigneten Maßnahmen zu ergreifen.

ENON00008-0

Anmerkung

Eine korrekte Einlaufphase ermöglicht, dass der Außenborder seine volle Leistung bringt und seine Lebensdauer verlängert.

	1-10 Min.	10 Min.-2 Std.	2-3 Std.	3-10 Std.	Nach 10 Std.
Position des Gashebels	Leerlauf	Weniger als 1/2 Kupplung	Weniger als 3/4 Kupplung	3/4 Gas	Vollgas
Geschwindigkeit		Ca. 3000 min ⁻¹ (rpm) max.	Alle 10 Minuten Vollgasbetrieb für 1 Minute erlaubt	Ca. 4000 min ⁻¹ (rpm). Alle 10 Minuten Vollgasbetrieb für 2 Minute erlaubt	

ENOM00039-0

5. Warnsystem

Wenn der Motor unter abnormalen Bedingungen betrieben wird oder einen Fehler aufweist, wird der Warnsignalsummer einen ununterbrochenen oder einen unterbrochenen Summton erzeugen, die Warnlampe (LED) synchron mit dem Warnsignalsummer aufleuchten und die Motordrehzahl reduziert (Motor wird nicht abgestellt).

Auf der nächsten Seite finden Sie die Bedingungen, die zu einer abnormalen Bedingung oder einem Fehler führen.

6

ENOM00040-A

Position des Warnsignalsummers und der Warnlampe

■ Signalhorn

RC Modell: In der Fernschaltbox.

Multifunktionales Steuerpinnen-Modell: In der Steuerpinne.

Steuerpinnenmodell: In der Motorabdeckung.

■ Warnlampe (LED)

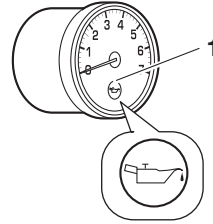
RC Modell: In dem Tachometer und der Untere Motorabdeckung.

Multifunktionale Steuerpinne und Steuerpinnen-Modelle: Unter der Motorwanne.

ENON00009-A

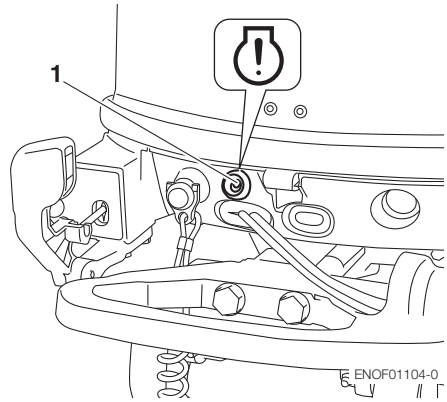
Anmerkung

Warnleuchte für den optionalen tachometer wird mit dem Warnlampe für die Motorseite synchronisiert.



ENOF00851-A

1. Warnlampe



ENOF01104-0

1. Warnlampe

ENOM00041-B

Warnanzeigen, Fehler und Abhilfe

Warnanzeigen				Fehlerbeschreibungen	Abhilfe
Ton	Lampe (LED)	Gering Drehzahl ESG	High speed ESG		
Ein Summton	An für 5 Sek.			Normaler Systemtest beim Starten	
Ununterbrochen	AN		AN	Motordrehzahl überschreitet den max. zugelassenen Wert	1
Kontinuierlich ^{*2}	ON ^{*2}	ON ^{*2}		Niedriger Öldruck ^{*1}	2
Ununterbrochen	AN	AN		Zu hohe Wassertemperatur	3
Unterbrochener kurzer Signalton ^{*2}	Blinken ^{*2}	ON ^{*2}		Wassertemperatur oder MAP-Sensor außerhalb des zulässigen Bereichs.	4

Hinweise

*1: In diesem Fall ist der Ölschalter "AN".

*2: Sie müssen den Motor abstellen, wenn Sie die Warnanzeigen stoppen und das Warnsystem neu starten möchten.

Hoher Drehzahl ESG (Elektronische Sicherheitsdrehzahlregler)

Hoher Drehzahl ESG ist eine Vorrichtung, die ein Überdrehen des Motors verhindert. Wenn die Ladung des Bootes aus irgendwelchen Gründen leichter als sonst ist, dreht der Motor höher als gewöhnlich. In diesem Fall ertönt der Summton und das ESG wird aktiviert, um den Zündkerze zu unterbrechen, woraufhin sich die Motordrehzahl ändert und unter 6300 min^{-1} (rpm) kontrolliert wird.

Niedriger Drehzahl ESG

Niedriger Drehzahl ESG ist eine Vorrichtung, um Schäden am Motor zu verhindern. Wenn der Motor Probleme mit dem Kühlwasser, Öldruck und Sensoren hat, wird der niedrige Drehzahl ESG aktiviert, um den Zündkerze und Kraftstoffversorgung zu unterbrechen. Die Motordrehzahl variiert und wird unter 2800 min^{-1} (rpm) kontrolliert.

Abhilfe

1. Nehmen Sie das Gas auf weniger als die Hälfte zurück und suchen Sie so schnell wie möglich einen sicheren Platz auf. Stoppen Sie den Motor. Kontrollieren Sie den Propeller auf Beschädigung oder verbogene Blätter. Kontaktieren Sie einen Vertragshändler, wenn der Motor nach einem Austausch des Propellers die gleichen Ergebnisse anzeigt.
2. Fahren Sie so schnell wie möglich an einen sicheren Platz und stoppen Sie den Motor. Kontrollieren Sie den Ölstand und sollte es erforderlich sein, füllen Sie Motoröl nach. Fragen Sie Ihren Vertragshändler, wenn der Ölstand zu niedrig oder zu hoch ist.
3. Fahren Sie so schnell wie möglich zu einem sicheren Platz und kontrollieren Sie bei Leerlaufdrehzahl den Kühlwasserauslass an der Kühlwasserkontrollöffnung. Stoppen Sie die Maschine. Falls erforderlich, entfernen Sie die Verunreinigungen und Fremdkörper am Getriebegehäuse und am Propeller. Kontaktieren Sie Ihren Vertragshändler, wenn kein Kühlwasser austritt.
4. Kontaktieren Sie einen Vertragshändler.

min^{-1} (rpm) begrenzt. Sie sollten den Motor dennoch nicht weiter laufen lassen.

- **Hohe Drehzahl ESG AN: Die Motorumdrehungen werden auf 6300 min^{-1} (rpm) begrenzt und der Motor läuft rau, bis das Gas zurückgenommen wird.**
-

ENOW00025-A

**VORSICHT**

- **Niedriger Drehzahl ESG AN: Die Motorumdrehungen werden auf 2800**

MOTORBETRIEB

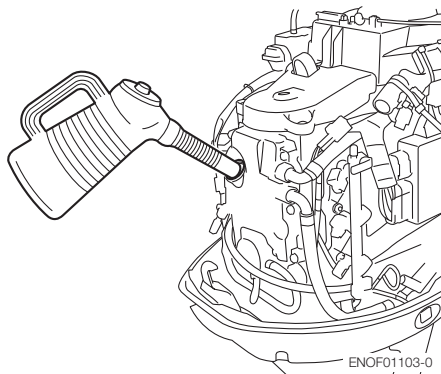
ENOM00042-0

Vor dem Start

ENOW00022-A

! VORSICHT

Das Motoröl wurde für den Transport vom Hersteller abgelassen. Vergewissern Sie sich vor dem Starten des Motors, dass der Ölstand korrekt ist. (Um das Motoröl richtig aufzufüllen, folgen Sie bitte der Anleitung, siehe page 67)



ENOW00027-A

! VORSICHT

Bevor Sie den Motor das erste Mal nach einer Überholung oder der Wintereinlagerung starten, entfernen Sie die Stoppschaltersperre und starten Sie ca. zehnmals komplett durch, um die Ölpumpe mit Öl zu füllen.

ENOM00044-A

1. Kraftstoffversorgung

ENOW00029-A

! WARNUNG

Wenn Sie den Tankverschluss öffnen, versichern Sie sich, die folgende

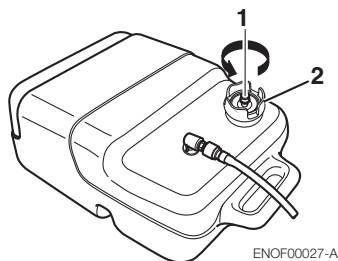
Vorgehensweise zu befolgen. Kraftstoff kann aus dem Tankverschluss austreten, sofern sich der Deckel aufgrund einer anderen Vorgehensweise lockert, wenn der Innendruck des Kraftstofftanks durch Wärmequellen wie die Sonneneinstrahlung steigt.

ENOW00947-0

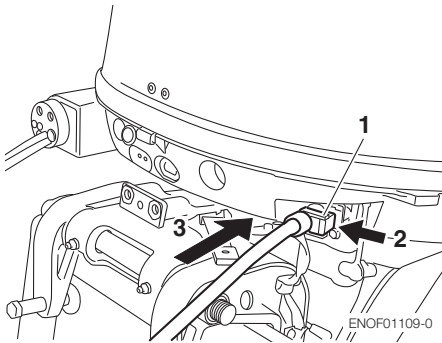
! VORSICHT

Wenn Sie einen separaten Tank verwenden, seien Sie sicher, dass die Kraftstoffleitung nicht geknickt und sicher angeschlossen ist.

1. Öffnen Sie die Entlüftungsschraube des Tankverschlusses vollständig.

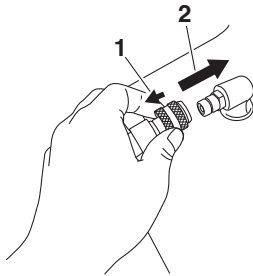


1. Entlüftungsschraube
 2. Tankdeckel
2. Öffnen Sie den Tankverschluss langsam, damit der Innendruck vollständig entweichen kann.
Danach schließen Sie den Kraftstofftank.
 3. Verbinden Sie den Kraftstoffanschluss mit dem Motor und dem Kraftstofftank.



1. Kraftstoffanschluss
2. Drücken
3. Einfügen

ENOF01109-0



1. Ziehen
2. Einfügen
4. Drücken Sie den Pumpball, bis er fest wird, um Kraftstoff in den Dampfabscheider zu befördern. Beim Pumpen muss der Pfeil nach oben zeigen.

ENOF00861-A



1. Motorseite
2. Kraftstofftankseite

ENOF00862-0

Drücken Sie den Pumpball nicht während

der Motor läuft oder wenn der Außenborder hochgeklappt ist. Ansonsten könnte Kraftstoff überlaufen.

ENOW00045-A

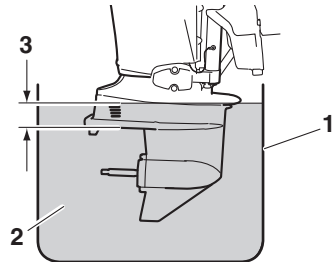
2. Starten des Motors

ENOW00036-A

VORSICHT

Vermeiden Sie Überhitzung und Schäden an der Wasserpumpe, wenn der Motor in einem Testbecken gestartet wird. Stellen Sie sicher, dass der Wasserstand mindestens 10cm (4 in.) über der Antikavitationsplatte steht.

Und stellen Sie sicher, den Propeller zu entfernen, wenn der Motor in einem Testbecken gestartet wird. (siehe page 78) Lassen Sie den Motor nur im Leerlauf laufen.



ENOF00863-0

1. Testbecken
2. Wasser
3. Über 10 cm (4 in.)

ENOW00036-0

VORSICHT

Versichern Sie sich, dass der Motor sofort abgestellt wird, wenn aus der Kontrollöffnung des Kühlwassers kein Wasser austritt, und überprüfen Sie dann, ob der Kühlwassereinlass verstopft ist. Der Motor kann sich überhitzen und möglicherweise zu einem Motorschaden führen. Kontaktieren Sie einen

Vertragshändler, wenn die Ursache nicht gefunden wird.

ENOW00032-A

⚠ VORSICHT

Der Anlasser sollte nicht mehr als 5 Sekunden gehalten werden, da sich sonst die Batterie entladen kann und somit ein Starten des Motors unmöglich macht und/oder den Anlasser beschädigt.

Sollte ein Startversuch von über 5 Sekunden fehlschlagen, dann stellen sie das Zündschloss wieder auf "ON" und starten den Motor nach mindestens 10 Sekunden erneut.

Versuchen Sie nicht die Kurbel zu betätigen, nachdem der Motor gestartet wurde.

Dieses Modell ist mit einem Start-Getriebe-Schutz ausgestattet.

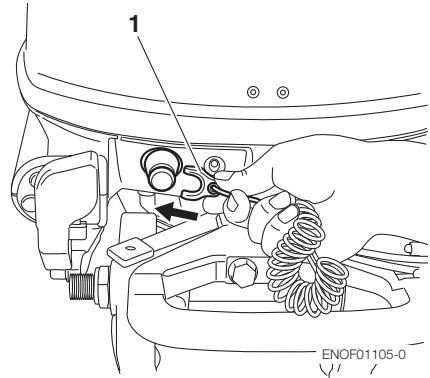
ENON00010-0

Anmerkung

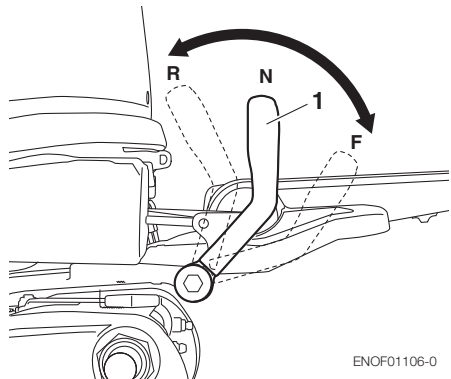
Der Start-Getriebe-Schutz sorgt dafür, dass der Motor nur im Leerlauf anspringt. Das Starten des Motors mit eingelegtem Gang setzt das Boot unmittelbar in Bewegung und führt zu Stürzen oder das Personen über Bord gehen.

Steuerpinnentyp

1. Versichern Sie sich, die Stoppschaltersperre am Stoppschalter anzubringen und die Reißleine des Stoppschalters sicher am Bootsführer oder am PFD (Rettungsschwimmkörper) des Bootsführers zu befestigen.

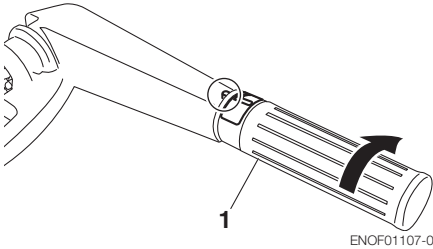


1. Stoppschaltersperre
2. Stellen Sie den Bedienhebel auf die Leerlauf-Position.



1. Schalthebel

3. Drehen Sie den Gasgriff auf die START Position.

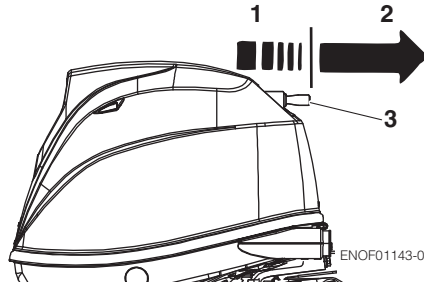


1. Gasgriff

(Bei manuellem Starttyp)

Der Motor ist mit einem Dekompressionsmechanismus ausgestattet.

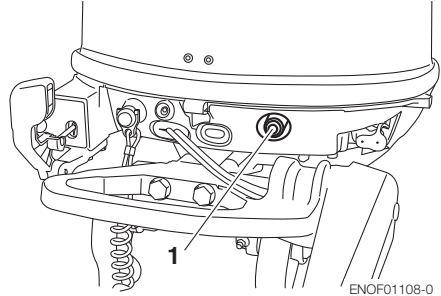
4. Ziehen Sie den Startergriff langsam, bis Sie ein Einrasten spüren und ziehen dann so lange weiter, bis der Widerstand nachlässt. Ziehen Sie es anschließend schnell. Bei Bedarf wiederholen Sie diesen Schritt, bis dieser der Motor startet.



1. Langsam
2. Schnell
3. Startergriff

(Bei elektrischem Starttyp)

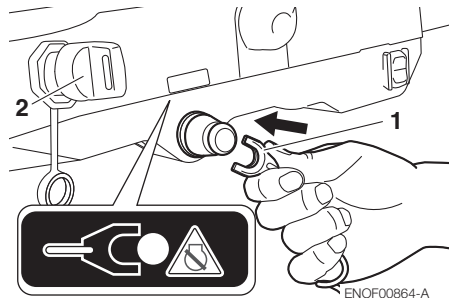
4. Drücken Sie den Starterknopf und lassen Sie diesen los, sobald der Motor gestartet ist.



1. Starterknopf

Multifunktionssteuerpinne Grifftyp

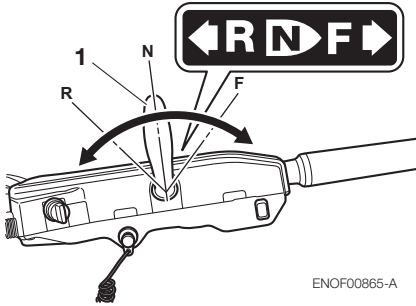
1. Versichern Sie sich, die Stoppschaltersperre am Stoppschalter anzubringen und die Reißleine des Stoppschalters sicher am Bootsführer oder am PFD (Rettungsschwimmkörper) des Bootsführers zu befestigen.



1. Stoppschaltersperre
2. Zündschlüssel

2. Stecken Sie den Zündschlüssel ein.

- Stellen Sie den Bedienhebel auf die Leerlauf-Position.



ENOF00865-A

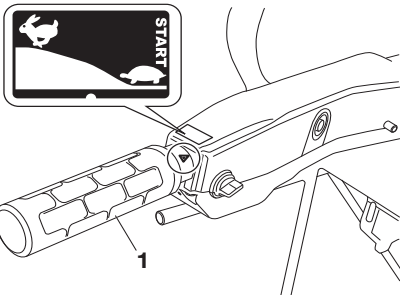
- Schalthebel

ENOW00031-0

⚠ VORSICHT

Wenn der Motor mit eingelegtem Gang dennoch startet, stellen Sie ihn sofort ab. Kontaktieren Sie einen Vertragshändler.

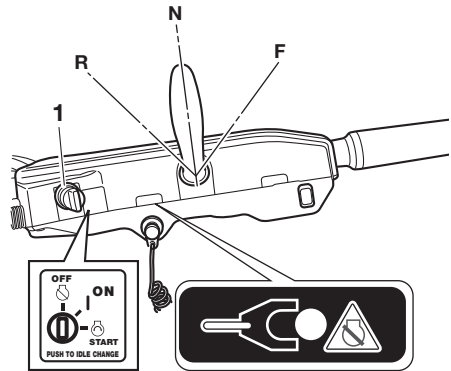
- Drehen Sie den Gasgriff auf die START Position.



ENOF00866-0

- Gasgriff

- Drehen Sie den Zündschlüssel auf die Position ON drehen Sie anschließend den Zündschlüssel auf die Position START und lassen dann den Zündschlüssel los, sobald der Motor gestartet ist. Der Schlüssel geht automatisch in die Ausgangsposition zurück.



ENOF00867-A

- Zündschlüssel

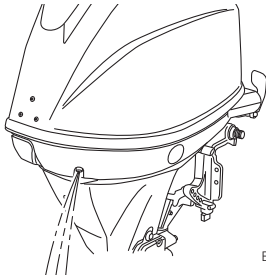
ENOW00032-1

⚠ VORSICHT

Der Anlasser sollte nicht mehr als 5 Sekunden gehalten werden, da sich sonst die Batterie entladen kann und somit ein Starten des Motors unmöglich macht und/oder den Anlasser beschädigt.

Sollte ein Startversuch von über 5 Sekunden fehlschlagen, dann stellen sie das Zündschloss wieder auf "ON" und starten den Motor nach mindestens 10 Sekunden erneut.

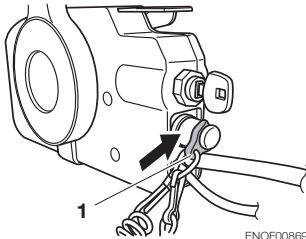
- Überprüfen Sie das Kühlwasser an der Kühlwasserkontrollöffnung.



ENOF01110-0

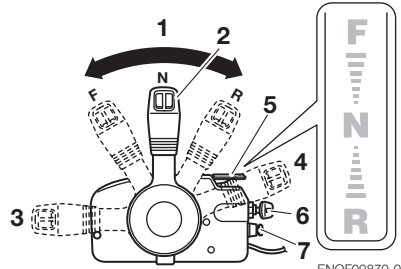
Seitlicher RC Befestigungstyp

1. Versichern Sie sich, die Stoppschaltersperre am Stoppschalter anzubringen und die Reißleine des Stoppschalters sicher am Bootsführer oder am PFD (Rettungsschwimmkörper) des Bootsführers zu befestigen.



ENOF00869-0

1. Stoppschaltersperre
2. Stecken Sie den Zündschlüssel ein.
3. Stellen Sie den Bedienhebel auf die Leerlauf-Position. Öffnen Sie den Gashebel nicht beim Starten des Motors.



ENOF00870-0

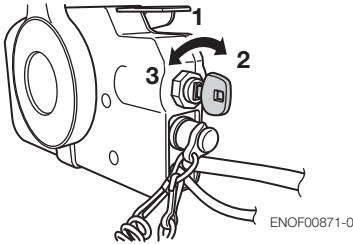
1. Leerlauf (N)
2. Bedienhebel
3. Vollständig geöffnet (Vorwärts)
4. Vollständig geöffnet (Rückwärts)
5. Freier Gashebel
6. Zündschlüssel
7. Stoppschalter

ENON00035-A

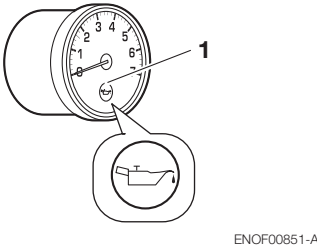
Anmerkung

Der Gashebel kann nicht bewegt werden, wenn der Bedienhebel auf "Forward" (Vorwärts) oder "Reverse" (Rückwärts) gestellt ist.

4. Drehen Sie den Zündschlüssel auf die "START" Position.
5. Drehen Sie den Zündschlüssel auf START und lassen Sie den Schlüssel wieder los, wenn der Motor startet. Sie sehen auch das Aufleuchten der Kontrolllampe zusammen mit dem Summton, die sich anschließend abschalten. Der Schlüssel geht automatisch in die Ausgangsposition zurück.



- 1. ON
- 2. START
- 3. OFF

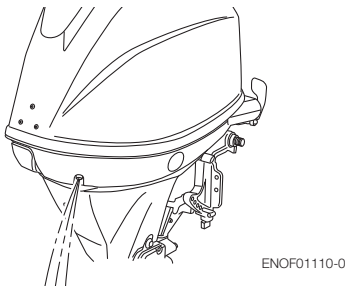


- 1. Warnlampe

ENON00035-A
Anmerkung

Der Gashebel kann nicht bewegt werden, wenn der Bedienhebel auf "Forward" (Vorwärts) oder "Reverse" (Rückwärts) gestellt ist.

- 6. Überprüfen Sie das Kühlwasser an der Kühlwasserkontrollöffnung.



ENOM00042-A
Notstart

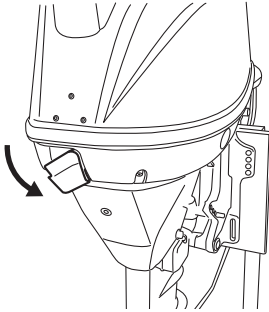
ENOW00099-A

! WARNUNG

Wenn das Notfallstarterseil zum Starten des Motors verwendet wird:

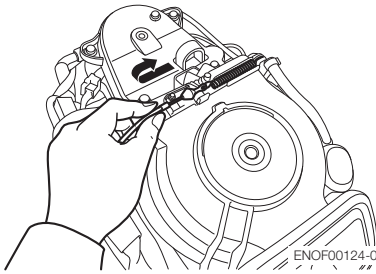
- Start im Getriebechutz funktioniert nicht. Versichern Sie sich, dass der Schalthebel in der Leerlauf-Position ist. Ansonsten wird der Motor das Boot sofort in Bewegung setzen, was zu Körperverletzungen führen kann.
- Achten Sie darauf, dass sich Kleidung oder andere Gegenstände nicht in rotierenden Motorteilen verfangen.
- Um Unfälle oder Verletzungen durch rotierende Teile zu verhindern, darf die Schwungradabdeckung und die obere Motorabdeckung nicht wieder montiert werden, nachdem der Motor gestartet worden ist.
- Ziehen Sie nicht am Starterseil, wenn sich dahinter Personen befinden. Dies könnte die Personen verletzen.
- Befestigen Sie die Notstoppleine an der Kleidung oder an irgendeinem Körperteil wie z. B. dem Arm, bevor Sie den Motor starten.

1. Entfernen Sie die obere Motorabdeckung.



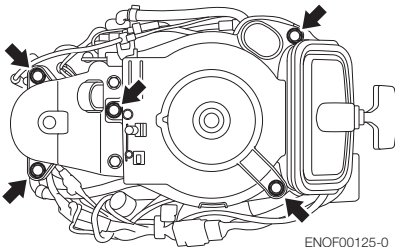
ENOF01111-0

2. Entfernen Sie das Starterseil vom Rückholstarter, indem Sie am Starterseil ziehen.



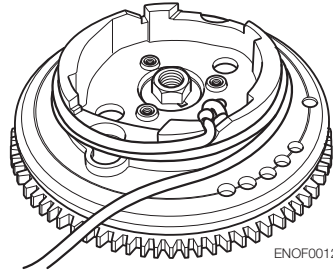
ENOF00124-0

3. Entfernen Sie die Schrauben (5 St.) und den Rückholstarter.



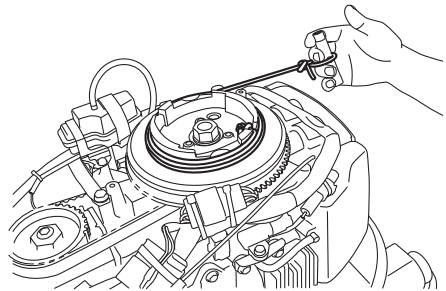
ENOF00125-0

4. Legen Sie das geknotete Ende des Starterseils in die Aussparung der Schwunzscheibe ein und wickeln Sie das Seil im Uhrzeigersinn um das Schwungrad.



ENOF00126-0

5. Machen Sie am anderen Ende des Notfallstarterseils eine Schlaufe und befestigen Sie den Steckschlüssel, der im Werkzeugkit mit eingeschlossen ist, als Zuggriff.



JNOF01120-0

ENOW00860-0

⚠ VORSICHT

Versichern Sie sich, dass der Kabelbaum keine rotierenden Teile berührt.

6. Versichern Sie sich, die Stoppschaltersperre am Stoppschalter anzubringen und die Reißleine des Stoppschalters sicher am Bootsführer oder am PFD (Rettungsschwimmkörper) des Bootsführers zu befestigen.
7. Stellen Sie den Bedienhebel auf die Leerlauf-Position.
8. Ziehen Sie den Startergriff langsam, bis Sie ein Einrasten spüren und ziehen dann so lange weiter, bis der Widerstand nachlässt. Dann ziehen Sie schnell an der Schnur.
9. Nachdem der Motor gestartet wurde, dürfen die Schwungradabdeckung und die Motorabdeckung nicht wieder montiert werden.

ENOM00043-A

3. Motor warmlaufen lassen

ENOW00932-0



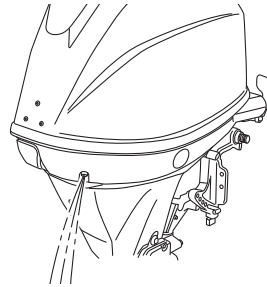
Achten Sie beim Warmlaufen darauf, dass Kühlwasser aus der Kontrollöffnung austritt.

Lassen Sie den Motor bei niedriger Drehzahl für ca.

3 Minuten : über 5 °C (41 °F)

5 Minuten bei 2000 min⁻¹ (rpm) : über 5 °C (41°F)

So kann das Schmieröl durch alle Teile des Motors zirkulieren. Der Motorbetrieb ohne Warmlaufen verkürzt die Motorlebensdauer.



ENOF01110-0

ENOM00044-0

Motordrehzahlen

Leerlaufdrehzahlen nach dem Warmlaufen.
Hinweis: Bei einem Kaltstart wird die Drehzahl für einige Minuten um 400 min⁻¹ (rpm) erhöht.

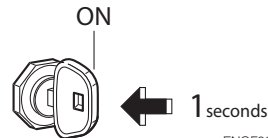
Eingekuppelt (eingelegter Gang)	Ausgekuppelt (kein Gang)
850 min ⁻¹ (rpm)	850 min ⁻¹ (rpm)

7

ENOM00880-0

Katzfahrt-Motordrehzahlsteuerung Funktion (ausgenommen des normalen Steuerspinnen-Typs)

Wenn der Zündschlüssel für 1 (eine) Sekunde im Leerlauf oder beim Elektromotorbetrieb gedrückt wird, ändert sich die Motordrehzahl.



ENOF00876-0

Jedes Mal, wenn der Zündschlüssel in der zuvor beschriebenen Weise gedrückt wird, verändert sich die Motordrehzahl wie folgt:

Starten

850 min⁻¹ (rpm) → 950 min⁻¹ (rpm)

↑ 950 min⁻¹ (rpm) ← 1050 min⁻¹ (rpm)

Ein kurzer Summton ertönt einmal, wenn eine Motordrehzahl von 850 min⁻¹ (rpm) eingestellt wird und zeigt an, dass die niedrigste Motordrehzahl eingestellt wurde.

Ein kurzer Summton ertönt zweimal, wenn eine Motordrehzahl von 1050 min⁻¹ (rpm) eingestellt wird und zeigt an, dass die höchste Motordrehzahl eingestellt wurde.

Stellen Sie die Drehzahl nach einem Motorneustart oder wenn die Drehzahl über 3,000 min⁻¹ (rpm) steigt neu ein. Bei Elektromotorbetrieb gilt die Standardeinstellung von 850 min⁻¹ (rpm).

Des Weiteren ist diese Funktion nicht betriebsbereit, wenn die Batteriespannung niedriger ist, als angegeben. Die Drehzahl des Leerlaufs und bei Elektromotorbetrieb wird automatisch auf 850 min⁻¹ (rpm) eingestellt.

ENOM00046-A

4. Vorwärts, rückwärts und Beschleunigung

ENOW00037-0

WARNUNG

Bevor Sie vor- oder rückwärts schalten, versichern Sie sich, dass das Boot richtig fest gemacht ist und der Außenborder voll nach rechts und links gedreht werden kann. Versichern Sie sich, dass keine

Personen vor oder hinter dem Boot schwimmen.

ENOW00038-A

WARNUNG

- Befestigen Sie das andere Ende der Reißleine des Notstoppschalters an dem PFD (Rettungshilfe) oder Arm des Bootsführers, wo es während der gesamten Fahrt befestigt bleiben sollte.
- Befestigen Sie das Seil nicht an Kleidung, an der es leicht abreißen kann.
- Das Seil darf sich nicht verhaken, wenn es gezogen werden muss.
- Achten Sie darauf, dass das Seil während der Fahrt nicht versehentlich gezogen wird. Ein unerwarteter Motorausfall kann zum Kontrollverlust des Außenborders führen. Ein schneller Leistungsverlust kann zu Stürzen führen oder das Personen über Bord gehen.

ENOW00042-0

WARNUNG

- Schalten Sie beim Gleiten nicht in den Rückwärtsgang. Sie verlieren die Kontrolle, was zu Verletzungen führen kann, das Boot kann voll Wasser laufen und/oder der Rumpf kann beschädigt werden.
- Schalten Sie während der Fahrt nicht in den Rückwärtsgang. Sie können die Kontrolle verlieren, stürzen oder es können Personen über Bord gehen. Des Weiteren führt es zu Verletzungen und das Steuersystem und/oder Schaltmechanismen können beschädigt werden.

ENOW00861-0

WARNUNG

Schalten Sie bei hoher Bootsgeschwindigkeit nicht. Sie können die Kontrolle verlieren, stürzen oder es

können Personen über Bord gehen. Dies führt zu ernsthaften Verletzungen.

ENOW00862-0

⚠ VORSICHT

Durch das Schalten bei hoher Drehzahl kann es zu Beschädigungen am Getriebe und der Kupplung kommen. Gehen Sie auf Leerlaufdrehzahl, bevor Sie versuchen zu schalten.

ENOW00863-0

⚠ VORSICHT

Die Leerlaufdrehzahl kann beim Warmlaufen höher sein. Wird beim Warmlaufen ein Vor- oder Rückwärtsgang eingelegt, kann es schwierig werden, wieder in den Leerlauf zu schalten. Sollte dies passieren, stoppen Sie den Motor, schalten Sie in den Leerlauf und starten den Motor erneut, um ihn warmlaufen zu lassen.

ENON00014-0

Anmerkung

Ein häufiges Vor- und Rückwärtsschalten führt zu Materialverschleiß. Sollte dies passieren, wechseln Sie das Getriebeöl öfters als vorgeschrieben.

ENOW00864-0

⚠ VORSICHT

Erhöhen Sie die Motordrehzahl nicht unnötig, wenn der Leerlauf oder Rückwärtsgang eingelegt ist. Ansonsten kann dies zu Motorschäden führen.

ENOM00890-A

Steuerpinnentyp

ENOW00865-0

⚠ VORSICHT

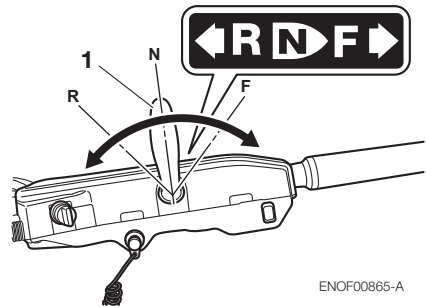
Forcieren Sie kein Schalten, wenn der Gasgriff nicht komplett geschlossen ist. Ansonsten kann es zu Beschädigungen an der Steuerung und/oder Schaltmechanismus kommen. Der Bedienebel kann nur dann bewegt werden, wenn der Gasgriff komplett geschlossen ist. (Multifunktionaler Steuer-Typ)

ENOW00867-0

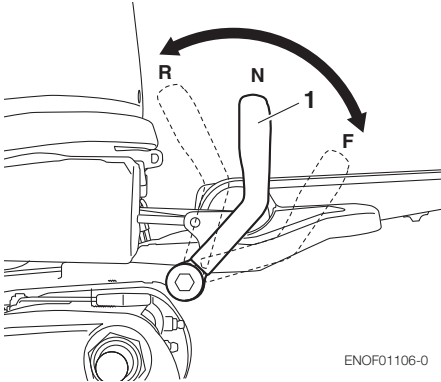
⚠ WARNUNG

Eine plötzliche Beschleunigung kann dazu führen, dass Bootsinsassen über Bord gehen oder hinfallen.

7



1. Schalthebel



ENOF01106-0

1. Schalthebel

Vorwärts

1. Drehen Sie den Gasgriff, um die Drehzahl zu verringern.
2. Wenn der Motor die Leerlaufdrehzahl erreicht hat, stellen Sie den Schalthebel schnell auf die Vorwärts-Position.

Rückwärts

1. Drehen Sie den Gasgriff, um die Drehzahl zu verringern.
2. Wenn der Motor die Leerlaufdrehzahl erreicht hat, stellen Sie den Schalthebel schnell auf die Rückwärts-Position.

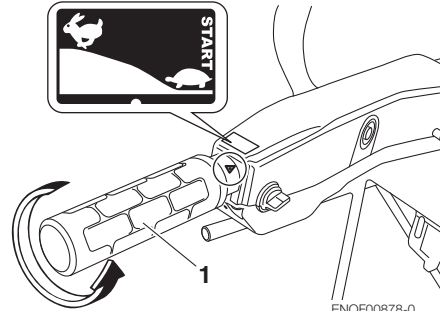
Beschleunigung

ENOW00867-0

! WARNUNG

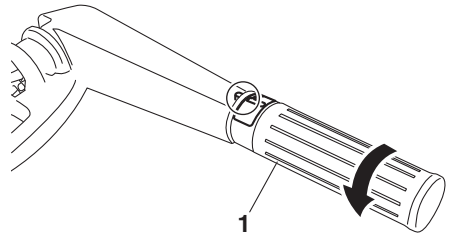
Eine plötzliche Beschleunigung kann dazu führen, dass Bootsinsassen über Bord gehen oder hinfallen.

Öffnen Sie den Gasgriff langsam.



ENOF00878-0

1. Gasgriff



ENOF01119-0

1. Gasgriff

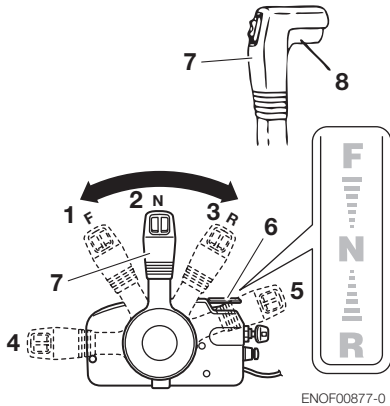
ENOM0900-0

Seitlicher RC Befestigungstyp

ENOW00867-0

! WARNUNG

Eine plötzliche Beschleunigung kann dazu führen, dass Bootsinsassen über Bord gehen oder hinfallen.



1. Vorwärts (F)
2. Leerlauf (N)
3. Rückwärts (R)
4. Vollständig geöffnet (Vorwärts)
5. Vollständig geöffnet (Rückwärts)
6. Freier Gashebel
7. Bedienhebel
8. Sperrscharter

Vorwärts

1. Arretierungsgriff unter dem Bedienhebelgriff hochziehen und schieben Sie den den Bedienhebel schnell auf die Vorwärts-Position (F) von 32?, auf der der Gang eingelegt ist.
2. Eine weitere Vorwärtsbewegung öffnet die Drosselklappe.

Rückwärts

1. Arretierungsgriff unter dem Bedienhebelgriff hochziehen und schieben Sie den den Bedienhebel schnell auf die Rückwärts-Position (R) von 32?, auf der der Gang eingelegt ist.
2. Eine weitere Rückwärtsbewegung öffnet die Drosselklappe.

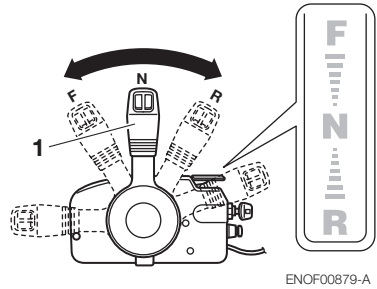
Beschleunigung

ENOW00867-A

VORSICHT

Eine plötzliche Beschleunigung kann dazu führen, dass Bootsinsassen über Bord gehen oder hinfallen.

Öffnen Sie den Steuerungshebel langsam.



1. Bedienhebel

ENOM00049-A

5. Motor stoppen

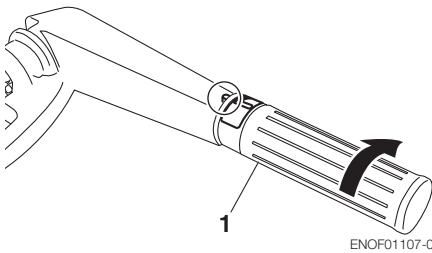
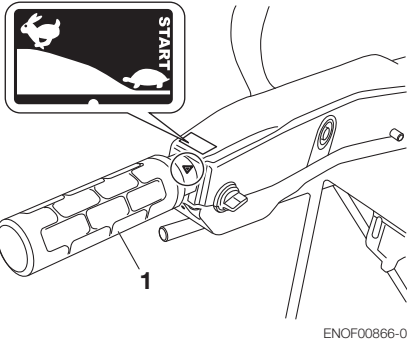
ENOW00868-0

WARNING

Achten Sie darauf, dass Sie die Notstoppleine nicht versehentlich vom Motor trennen, während das Boot fährt. Ein plötzlicher Motorausfall kann zum Verlust der Steuerkontrolle führen. Des Weiteren kann es zu einer Verringerung der Geschwindigkeit kommen, was dazu führen kann, dass die Besatzung und/oder Gegenstände aufgrund der Fliehkraft nach vorne geworfen werden.

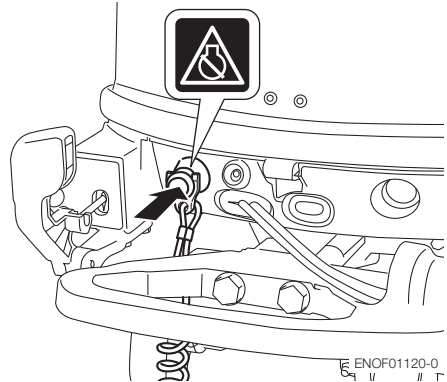
Steuerpinnentyp

1. Drehen Sie den Gasgriff auf langsam.

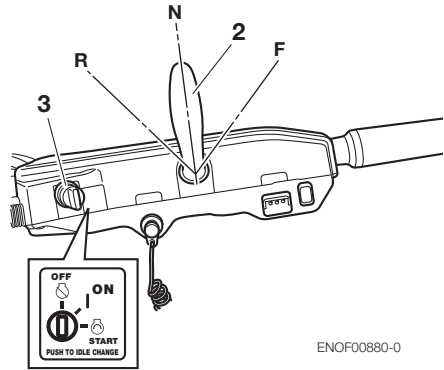


1. Gasgriff

2. Stellen Sie den Schalthebel auf die Leerlauf-Position. Lassen Sie den Motor für 2 bis 3 Minuten bei Leerlaufdrehzahl laufen, wenn er vorher bei Höchstdrehzahl betrieben wurde.
3. Drücken Sie den Stoppschalter für ein paar Sekunden, um den Motor zu stoppen.



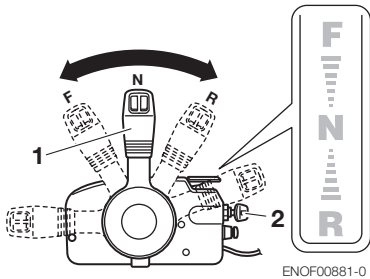
4. Drehen Sie den Zündschlüssel auf die Position OFF oder drücken Sie den Stoppschalter. (Vergessen Sie nicht, den Schlüssel zu deaktivieren).



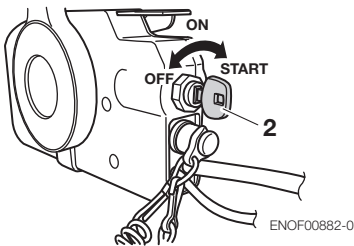
1. Gasgriff
2. Schalthebel
3. Zündschlüssel

Seitlicher RC Befestigungstyp

1. Stellen Sie den Schalthebel auf die Leerlauf-Position und lassen Sie den Motor für 2 bis 3 Minuten bei Leerlaufdrehzahl laufen, wenn er vorher bei Höchstdrehzahl betrieben wurde.



2. Drehen Sie den Zündschlüssel auf die Position OFF oder drücken Sie den Stoppschalter. (Vergessen Sie nicht, den Schlüssel zu deaktivieren).



1. Bedienhebel
2. Zündschlüssel

ENOF00869-0

⚠️ WARNUNG

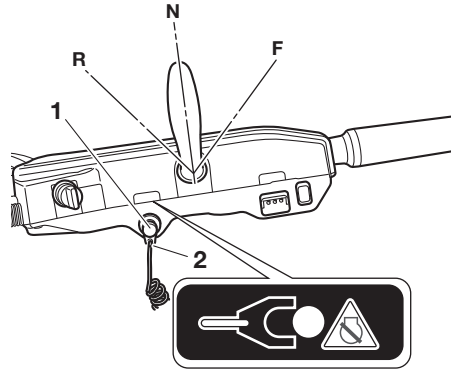
Nach dem Abstellen des Motors:

- Schließen Sie die Entlüftungsschraube des Tankverschlusses vollständig.
- Trennen Sie den Kraftstoffanschluss vom Motor und vom Kraftstofftank.

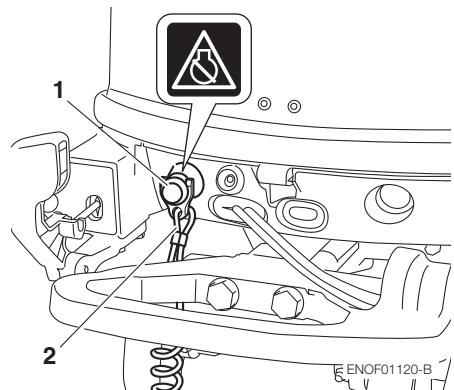
- Trennen Sie das Batteriekabel nach jedem Betrieb.

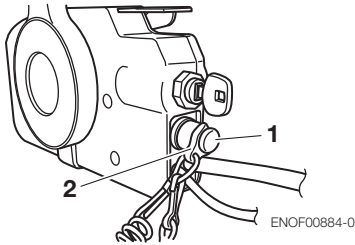
Notabschaltung des Motors

Entfernen Sie die Stoppschaltersperre, um den Motor zu stoppen.



1. Stoppschalter
2. Stoppschaltersperre





- 1. Stoppschalter
- 2. Stoppschaltersperre

ENOM00910-0

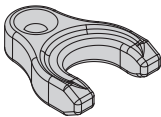
Ersatz-Notstoppschaltersperre

Eine Ersatz-Notstoppschaltersperre befindet sich in der Werkzeugtasche.

Wenn der Notstoppschalterclip und das Reißbleinensystem des Notstopps wie beschrieben angewandt werden, wird der Motor ausgeschaltet, wenn der Bootsführer die Kontrolle verliert.

Wenn ein Bootsführer ins Wasser fallen sollte, stellen Sie sicher, die Extra-Notstoppschaltersperre zu benutzen.

Versichern Sie sich, dass sich die Ersatz-Notstoppschaltersperre in der Werkzeugtasche befindet, bevor Sie starten.



7

ENOM00920-0

6. Lenkung

ENOW00870-0

⚠️ WARNUNG

Plötzliches Steuern kann dazu führen, dass Bootsinsassen über Bord gehen oder hinfallen.

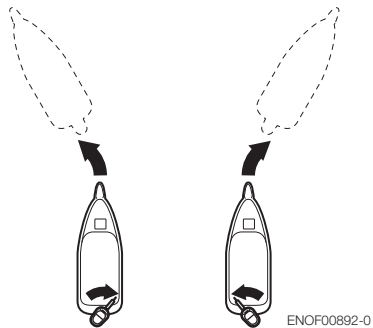
Steuerpinnentyp

Rechts drehen

Steuerpinne nach links bewegen

Links drehen

Steuerpinne nach rechts bewegen



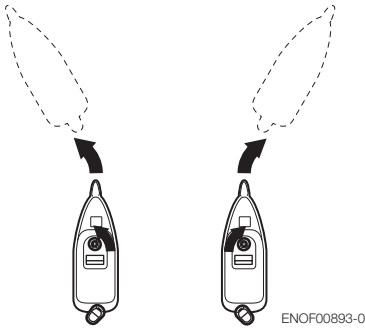
Fernschaltboxtyp

Rechts drehen

Drehen Sie das Lenkrad nach rechts.

Links drehen

Drehen Sie das Lenkrad nach links.



ENOF00893-0

ENOM00050-0

7. Trimmwinkel

ENOW00043-A

WARNUNG

- **Passen Sie den Trimmwinkel an, sobald der Motor gestoppt wurde.**
- **Stecken Sie Ihre Hand oder Finger nicht zwischen das Gehäuse des Außenborders und die Klemmhalterung, wenn Sie den Trimmwinkel einstellen. Dadurch können Sie Verletzungen vermeiden, sofern der Außenborder herunterfallen sollte.**
- **Eine ungeeignete Trimmposition kann zum Kontrollverlust des Bootes führen. Wenn eine Trimmposition ausprobiert wird, fahren Sie am Anfang langsam, um die Kontrolle zu behalten.**

ENOW00044-0

WARNUNG

Eine zu hohe oder zu niedrige Trimmung kann zu einer instabilen Lage des Bootes führen, was Steuerprobleme zur Folge hat, die während der Fahrt zu Unfällen führen können.

- **Sollten Sie eine inkorrekte Trimmposition vermuten, dann fahren Sie keine hohen Geschwindigkeiten. Halten Sie das Boot an und stellen Sie**

den Trimmwinkel erneut ein, bevor Sie die Fahrt fortführen.

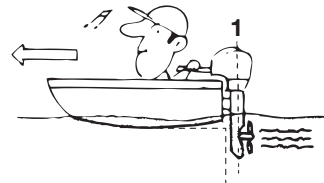
- **Beim Außenbordermodell mit PTT-Schalter am unteren Motorgehäuse darf der Schalter während der Fahrt nicht benutzt werden, da sonst die Kontrolle über das Boot verloren gehen kann.**

Der Trimmwinkel des Außenborders kann an den Heckwinkel des Bootes und an die Ladebedingungen angepasst werden. Wählen Sie einen angemessenen Trimmwinkel für den Motor, damit die Antikavitationsplatte während des Betriebs immer parallel zur Wasseroberfläche liegt.

ENOM00052-0

Korrekter Trimmwinkel

Die Position des Trimmbolzens ist korrekt, wenn das Boot während des Betriebs horizontal im Wasser liegt.



ENOF00051-1

1. Senkrecht zur Wasseroberfläche

ENOM00053-0

Inkorrekter Trimmwinkel (wenn der Bug des Bootes zu stark aus dem Wasser ragt)

Wenn der Bug des Bootes zu stark aus dem Wasser ragt, setzen Sie den Trimmbolzen niedriger.



ENOF00052-0

ENOM00054-0

Inkorrekter Trimmwinkel (wenn der Bug zu tief ins Wasser eintaucht).

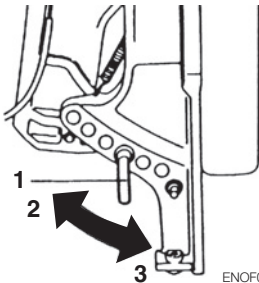
Wenn der Bug beim Fahren ins Wasser taucht, setzen Sie den Trimmbolzen höher.



ENOF00053-0

7

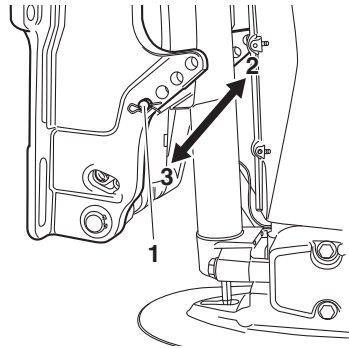
■ **Manueller Neigungs-Typ**



ENOF00674-B

- 1. Trimmbolzen
- 2. Höher
- 3. Niedriger

■ **Powertrimm- und Kippstyp**



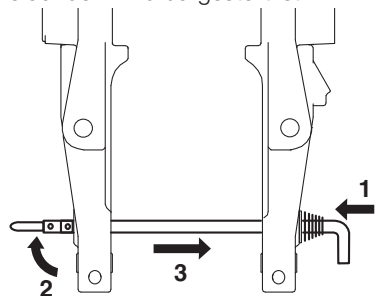
ENOF00888-0

- 1. Trimmbolzen
- 2. Höher
- 3. Niedriger

Trimmwinkeleinstellung (Manueller Neigungs-Typ)

Die Heckspiegel-Winkerverstellung

- 1. Stoppen Sie den Motor.
- 2. Schalten Sie in den Leerlauf.
- 3. Bringen Sie den Außenbordermotor in die Hochkippposition.
- 4. Ändern Sie die Trimmbolzenposition, wie auf dem Bild dargestellt ist.



ENOF01238-1

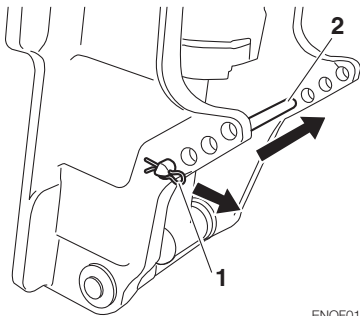
- 1. Eindrücken
- 2. Heben Sie den Stopfen an
- 3. Heraus drücken
- 5. Installieren Sie den Trimmbolzen auf sichere Weise.

- Lassen Sie den Außenborder langsam herunter.

Trimmwinkleinstellung (Stromneigungstyp)

Die Heckspiegel-Winkelverstellung

- Stoppen Sie den Motor
- Betätigen Sie den Stromneigungsschalter und kippen Sie den Außenbordmotor nach oben.
- Sperren Sie die Neigung mit der Neigungsstopper.
- Ändern Sie den Neigungs.Sicherungsstift, wie auf dem Bild dargestellt ist.



ENOF01147-0

- Steckstift
- Trimmbolzen
- Installieren Sie den Trimmbolzen auf sichere Weise.
- Betätigen Sie den Powertrimmschalter und senken Sie den Außenborder.

ENOM00060-A

8. Hochkippen und Abkippen

ENOW00055-0

⚠️ WARNUNG

Kippen Sie den Außenborder nicht nach oben oder unten, wenn sich Schwimmer oder Passagiere in der Nähe aufhalten,

damit sie nicht vom Motorgehäuse und der Klemmhalterung getroffen werden, sollte der Motor herunterfallen.

ENOW00048-0

⚠️ WARNUNG

Achten Sie beim Auf- und Abkippen unbedingt darauf, dass sich Ihre Hand nicht zwischen Drehkonsole und Heckkonsole befindet. Versichern Sie sich, dass der Außenborder immer langsam gekippt wird.

ENOW00056-A

⚠️ WARNUNG

Wenn Sie den Außenborder für mehrere Minuten hochkippen, dann versichern Sie sich, dass die Kraftstoffleitung getrennt ist, da das Benzin sonst entweichen kann und möglicherweise Feuer fängt.

7

ENOW00057-0

⚠️ VORSICHT

Kippen Sie den Außenborder nicht nach oben, wenn der Motor läuft, da sonst kein Kühlwasser aufgenommen werden kann und sich der Motor aufgrund von Überhitzung festfressen kann.

ENON00921-0

Anmerkung

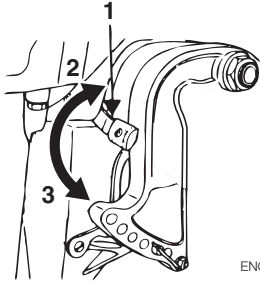
Bevor der Außenbordmotor hochgekippt wird, lassen Sie den Motor nach dem Ausschalten für ca. eine Minute in der Betriebsposition, damit das Wasser aus dem Inneren des Motors abfließen kann.

ENOM00062-0

Manueller Neigungs-Typ Hochkippen

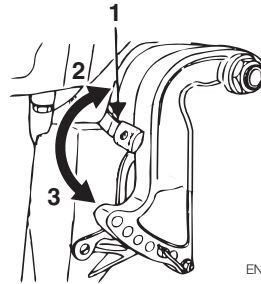
Drücken Sie den Rückfahrsperrhebel bis

zum Anschlag nach unten. (Dies ist die Hochkippposition) Ziehen Sie den Motor jetzt ganz nach oben, bis er in der oberen Position einrastet.



ENOF00059-0

1. Rückfahrsperrhebel
2. Position zum Hochkippen
3. Position zum Abkippen



ENOF00059-0

1. Rückfahrsperrhebel
2. Position zum Hochkippen
3. Position zum Abkippen

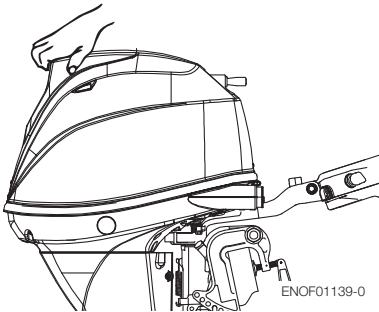
ENOM00069-B

Powertrimm- und Kippsystemtyp Hochkippen

1. Betätigen Sie den Powertrimmschalter und kippen Sie den Außenborder nach oben.
2. Sichern Sie den Kippvorgang mit dem Kippstopper, nachdem der Motor hochgekippt wurde.

Abkippen

1. Heben Sie den Motor etwas an und entriegeln Sie den Kippstopper aus der Set-up-Position.
2. Betätigen Sie den Powertrimm- und Kippschalter und kippen den Außenbordmotor nach unten, bis der Motor die Kippssperre berührt.

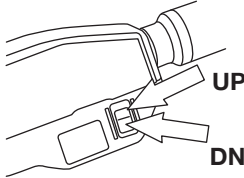
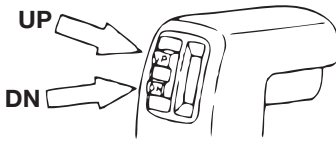


ENOF01139-0

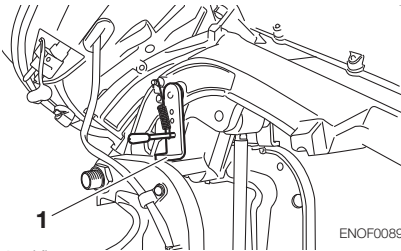
ENOM00063-0

Abkippen

Drücken Sie den Rückfahrsperrhebel bis zum Anschlag nach oben. (Dies ist die Position zum Herunterkippen.) Heben Sie den Außenborder leicht an, um ihn mit Hilfe der Schwerkraft langsam abzulassen.



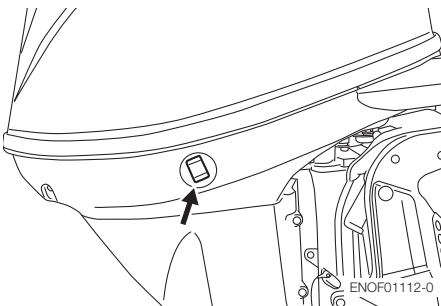
ENOF00067-1



ENOF00890-0

1. Kippsperr

Der Außenbordmotor kann auch mit dem Schalter unter der unteren Motorabdeckung hoch- und heruntergekippt werden.



ENOF01112-0

Ein Hoch- oder Herunterkippen ist möglich, egal ob der Zündschlüssel auf "ON" oder "OFF" steht.

ENOM00940-0

Manuelles Entlastungsventil

Wenn die Batterie leer ist und der Powertrimmschalter nicht funktioniert, dann öffnen Sie das manuelle Ventil in Richtung "Manuell" (Handbetrieb). Dies ermöglicht das manuelle Kippen des Außenborders.

ENOW00872-0

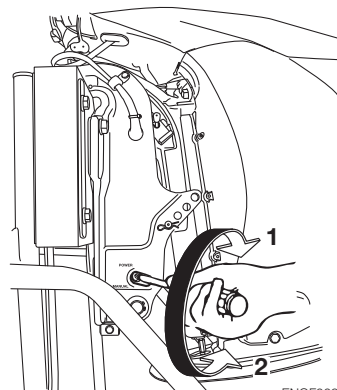
! WARNUNG

Versichern Sie sich, dass das manuelle Entlastungsventil geschlossen ist, bevor Sie den Außenbordmotor benutzen. Wenn das manuelle Entlastungsventil nicht geschlossen ist, kippt der Außenbordmotor bei der Rückwärtsfahrt hoch.

ENOW00873-0

! WARNUNG

Bevor Sie das manuelle Entlastungsventil öffnen, versichern Sie sich, dass sich niemand unter dem Außenbordmotor befindet. Wenn sich der Außenbordmotor in der hochgekippten Position befindet, wird er plötzlich abkippen wenn das manuelle Entlastungsventil in Richtung "Manuell" gelockert wird.



ENOF00892-0

1. Leistung

2. Manuell (Handbetrieb)

ENOM00068-A

9. Betrieb im Flachwasser

ENOW00051-0

! WARNUNG

Beim Betrieb im flachen Wasser achten Sie beim Auf- und Abkippen unbedingt darauf, dass sich Ihre Hand nicht zwischen Drehkonsole und der Klemmhalterung befindet. Versichern Sie sich, dass der Außenborder immer langsam gekippt wird.

ENOW00053-0

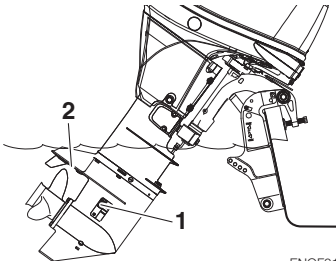
! VORSICHT

Während Sie die Position für Flachwasserfahrten eingestellt haben, dürfen Sie den Rückwärtsgang nicht einlegen. Fahren Sie immer langsam, damit der Einlass des Kühlwassers unter der Wasseroberfläche bleibt.

ENOW00054-0

! VORSICHT

Kippen Sie den Motor nicht zu stark, wenn Sie durch flache Gewässer fahren, da ansonsten Luft durch den Unterwassereinlass angesaugt werden könnte, was möglicherweise zum Überhitzen des Motors führt.



ENOF01144-0

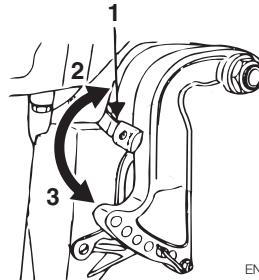
- 1. Hauptwassereinlass

2. Wassertandsanzeige

Manueller Neigungs-Typ

- 1. Position für Flachwasserfahrten:

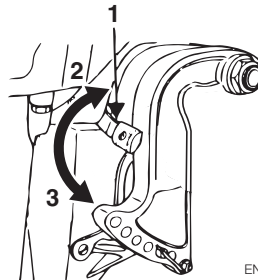
Stellen Sie den Rückfahrsperrhebel auf die Position für Hochkippen und ziehen Sie den Außenborder nach oben, um ihn in der Position für Flachwasserfahrten zu arretieren.



ENOF00059-0

- 1. Rückfahrsperrhebel
- 2. Position zum Hochkippen
- 3. Position zum Abkippen

- 2. Zurück zur Position für Normalbetrieb: Stellen Sie den Rückfahrsperrhebel auf die Position für Abkippen und heben Sie den Außenborder leicht an, um ihn dann wieder langsam herunter zulassen.



ENOF00059-0

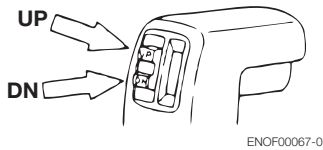
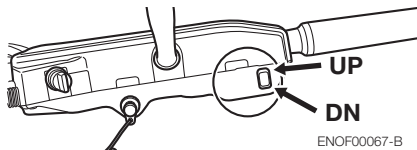
- 1. Rückfahrsperrhebel
- 2. Position zum Hochkippen

3. Position zum Abkippen

ENOM00069-A

Powertrimm- und Kippssystemtyp

1. Betätigen Sie den Powertrimm- und Kippschalter und kippen Sie den Außenborder in die gewünschte Position für Flachwasserfahrten nach oben.



ABBAU UND TRANSPORT DES AUSSENBORDERS

ENOM00070-A

1. Abbau des Außenborders

ENOW00890-0

! WARNUNG

Bevor der Außenbordmotor am Boot montiert wird, hängen Sie den Außenbordmotor an einem Flaschenzug oder ähnlichem Gerät auf, indem Sie den Motoraufhänger am Außenborder befestigen.

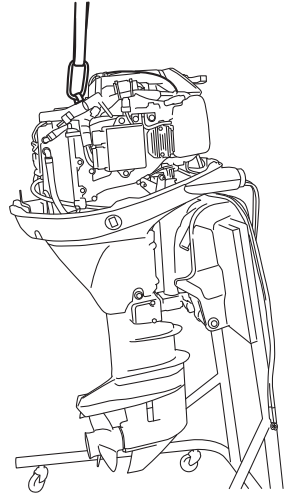
Verwenden Sie einen Flaschenzug mit einem zulässigen Gesamtgewicht von 150 kg (330 lbs) oder mehr.

ENOW00064-0

! VORSICHT

Der Motor kann direkt nach dem Betrieb heiß sein und bei Berührung zu Verbrennungen führen. Lassen Sie den Motor abkühlen, bevor Sie den Außenborder transportieren.

1. Stoppen Sie den Motor.
2. Entfernen Sie die obere Motorabdeckung.
3. Trennen Sie den Kraftstoffanschluss, die Fernschaltboxkabel- und Seilzüge und die Batteriekabel vom Außenborder.
4. Befestigen Sie die Haken des Flaschenzugs am Motoraufhänger.
5. Entfernen Sie den Außenborder vom Boot und lassen Sie das Wasser aus dem Getriebegehäuse vollständig ab.



ENOF01102-0

ENOM00071-A

2. Transport des Außenborders

ENOW00933-0

! WARNUNG

Trennen Sie die Benzinzufuhr, wenn der Motor nicht in Betrieb ist.

Ein Treibstoffleck ist eine Feuer- oder Explosionsgefahr, die zu schweren Verletzungen oder zum Tod führen kann.

ENOW00065-0

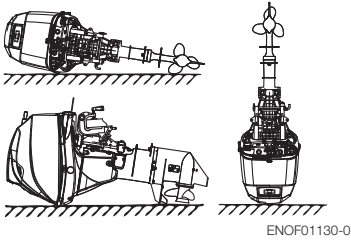
! WARNUNG

Schließen Sie die Lüftungsschraube des Tanks, bevor Sie den Außenborder und den Tank transportieren oder lagern. Ansonsten könnte Benzin austreten und Feuer fangen.

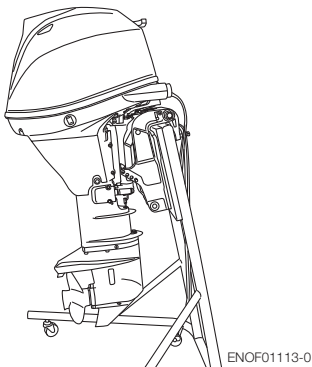
ENOW00066-0

⚠ VORSICHT

- Setzen Sie den Außenborder beim Transport keinen Stößen aus. Dies führt zu Bruchschäden.
- Transportieren oder lagern Sie den Außenbordmotor nicht wie unten abgebildet. Ansonsten wird der Motor beschädigt oder es kann durch austretendes Öl Schaden im Umfeld entstehen.



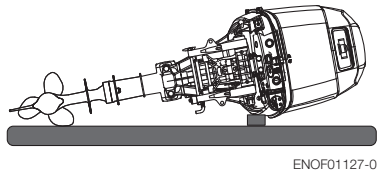
Der Motor muss beim Transport immer aufrecht gelagert werden. Der optionale Ständer für den Außenbordmotor wird empfohlen, um den Außenbordmotor beim Transport und bei der Lagerung vertikal zu halten.



ENON00021-A

Anmerkung

- Stellen Sie sicher, dass Kraftstoff und Motoröl abgelassen werden, wenn der Außenbordmotor hingelegt werden muss. Dabei zeigt die Backbordseite nach unten so wie es auf der unteren Zeichnung abgebildet ist.
- Halten Sie den Antrieb beim Transport immer 5-10 cm (2-4 inch) höher, um ein Austreten von Öl zu verhindern.



ENOM00072-A

3. Anhängertransport

ENOW00072-0

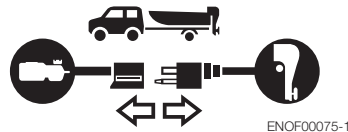
⚠ VORSICHT

Transportieren in gekippter Position kann u. U. zu Motor- und Anhängerschäden führen.

ENOW00073-A

⚠ WARNUNG

Trennen Sie die Benzinzufuhr, wenn der Motor nicht in Betrieb ist. Ein Treibstoffleck ist eine Feuer- oder Explosionsgefahr, die zu schweren Verletzungen oder zum Tod führen kann.



ENOW00068-0

! WARNUNG

Schließen Sie die Lüftungsschraube des Tanks und den Kraftstoffanschluss, bevor Sie den Außenborder und den Tank transportieren oder lagern. Ansonsten könnte Benzin austreten und Feuer fangen.

ENOW00071-0

! VORSICHT

Die Kippvorrichtung an Ihrem Außenborder ist nicht als Transportvorrichtung geeignet. Sie dient zum Stützen des Motors beim Anlegen, an den Strand ziehen usw.

Trennen Sie die Kraftstoffleitung vom Außenbordmotor, bevor ein Boot auf einem Anhänger transportiert wird und der Motor noch am Boot hängt. Der Motor sollte sich dabei in der normalen Betriebsstellung befinden oder an einer Sicherungsleiste des Spiegels angebracht sein.

Steuerpinnentyp

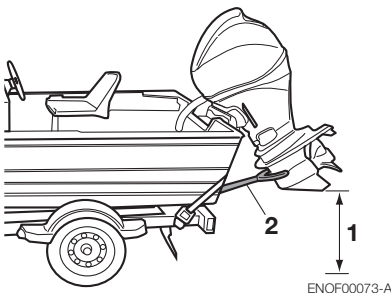
Um zu verhindern, dass sich der Außenbordmotor bewegt, wenn er beim Transport des Boots auf einem Anhänger noch am Boot hängt, befestigen Sie den Hebel zum Einstellen des Lenkwiderstands (page 58).

1. Ein ausreichender Bodenabstand sollte gewährleistet werden.
2. Sicherungsleiste des Spiegels

ENOW00067-0

! WARNUNG

Begeben Sie sich nicht unter den nach oben gekippten Außenborder, selbst wenn er durch eine Stange gestützt wird. Sollte der Außenborder versehentlich herunterfallen kann dies zu schweren Verletzungen führen.



ENOF00073-A

EINSTELLUNGEN

ENOM00073-0

1. Lenkwiderstand

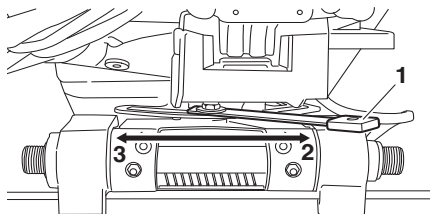
Steuerpinnentyp

ENOW00074-A

⚠️ WARNUNG

Ziehen Sie den Hebel zum Einstellen des Lenkwiderstands nicht zu fest an, da dieser sonst schwergängig wird und so ein Kontrollverlust auftreten kann. Ein Unfall mit schwerwiegenden Verletzungen kann die Folge sein.

Stellen Sie mit diesem Hebel den erwünschten Lenkwiderstand an der Steuerpinne ein. Für einen geringeren Widerstand bewegen Sie den Hebel in Richtung (2) und für einen höheren Widerstand in Richtung (3).



ENOF00910-0

1. Hebel zum Einstellen des Lenkwiderstands
2. Verringern
3. Erhöhen

ENOM00074-A

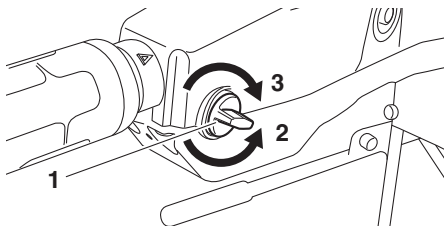
2. Widerstand des Gasgriffs

ENOW00074-B

⚠️ WARNUNG

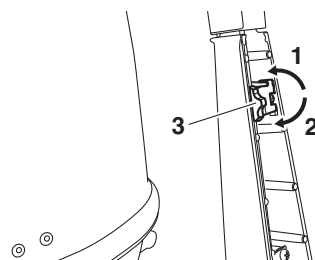
Ziehen Sie die Gaseinstellschraube nicht zu fest an, da dieser sonst schwergängig wird und so ein Kontrollverlust auftreten kann. Ein Unfall mit schwerwiegenden Verletzungen kann die Folge sein.

Der Drehwiderstand des Gasgriffs kann mit Hilfe einer Einstellschraube eingestellt werden.



ENOF00911-0

1. Einstellschraube für die Gängigkeit des Schalthebels
2. Verringern
3. Erhöhen



ENOF01114-0

1. Verringern
2. Erhöhen
3. Einstellschraube für die Gängigkeit des Schalthebels

ENOM00075-0

3. Widerstand des Fernschalthebels

ENOW00074-C

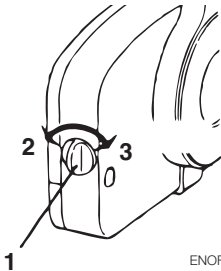
⚠️ WARNUNG

Ziehen Sie den Fernschaltgaswiderstand nicht zu fest an, da dieser sonst schwergängig wird und so ein Kontrollverlust auftreten kann. Ein Unfall mit schwerwiegenden Verletzungen kann die Folge sein.

Zur Einstellung des Widerstands des Fernschalthebels drehen Sie die Reibungs-Einstellschraube an der

Vorderseite der Fernschaltbox. Drehen im Uhrzeigersinn erhöht den Reibungswiderstand, und Drehen gegen den Uhrzeigersinn verringert den Reibungswiderstand.

Seitlicher Befestigungstyp



ENOF00078-0

1. Einstellschraube für die Gängigkeit des Schalthebels
2. Verringern
3. Erhöhen

ENOM00076-0

4. Trimmflossen-Einstellung

ENOW00076-1

! WARNUNG

- **Versichern Sie sich, dass der Außenborder am Spiegel oder am Serviceständer gesichert ist, da ein versehentliches Herunterfallen des Außenborders zu schweren Verletzungen führen kann.**
- **Versichern Sie sich, dass der Außenbordmotor blockiert ist, wenn er hochgeklappt wird, da ein versehentliches Herunterfallen des Außenbordmotors zu schweren Verletzungen führen kann.**
- **Begeben Sie sich nicht unter den hochgeklappten und blockierten Außenborder, da ein versehentliches Herunterfallen des Außenborders zu schweren Verletzungen führen kann.**

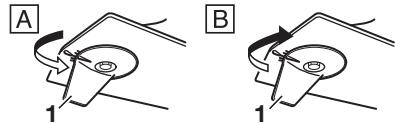
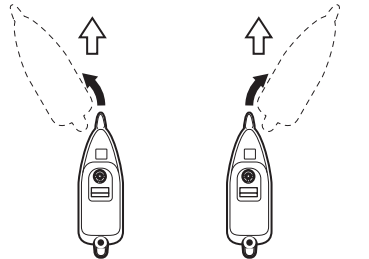
ENOW00075-1

! WARNUNG

Eine unsachgemäße Einstellung der Trimmflosse kann zu Lenkschwierigkeiten führen. Nach dem Installieren oder Wiedereinstellen der Trimmflosse überprüfen Sie, ob die Steuerlast ausgeglichen ist.

Wenn geradliniges Fahren nicht möglich ist, müssen Sie die Trimmflosse unter der Antikavitationsplatte anpassen.

- Wenn das Boot nach links abdreht, richten Sie die Trimmflosse in Richtung A (links von achtern).
- Wenn das Boot nach rechts abdreht, richten Sie die Trimmflosse in Richtung B (rechts von achtern).



ENOF00912-A

1. Trimmflosse

ENON00022-A

Anmerkungen

- Nach dem Einstellen muss die Befestigungsschraube der Trimmflosse wieder fest angezogen werden.
- Überprüfen Sie regelmäßig, ob die Schraube und die Trimmflosse fest sitzen.

INSPEKTION UND WARTUNG

ENOM00077-0

Pflege Ihres Außenborders

Um für Ihren Motor die besten Betriebsbedingungen zu gewährleisten, ist es sehr wichtig, dass Sie die angegebenen täglichen und regelmäßigen Wartungsmaßnahmen in den folgenden Wartungsplänen einhalten.

ENOW00077-0



VORSICHT

- **Ihre persönliche Sicherheit und die Ihrer Passagiere hängt davon ab, wie gut Sie Ihren Außenborder warten. Befolgen Sie alle in diesem Abschnitt beschriebenen Inspektions- und Wartungshinweise genau.**
 - **Die Wartungsintervalle in der Checkliste gelten für einen Außenborder im normalen Betrieb. Wenn Sie Ihren Außenborder harten Bedingungen aussetzen, wie häufiger Vollgasbetrieb, Fahren in Brackwasser oder gewerblicher Nutzung, dann sollten die Wartungsmaßnahmen in kürzeren Zeitabständen durchgeführt werden. Im Zweifelsfall kontaktieren Sie Ihren Händler.**
 - **Wir empfehlen ausdrücklich, für Ihren Außenbordmotor nur Original-Ersatzteile zu verwenden. Sollten keine Originalersatzteile verwendet werden, werden Schäden an Ihrem Außenborder von der Garantie nicht abgedeckt.**
-

ENOM00079-0

1. Tägliche Inspektion

Führen Sie die folgenden Kontrollen vor und nach dem Betrieb durch.

ENOW00078-1



WARNUNG

Nehmen Sie den Außenbordmotor nicht in Betrieb, wenn bei einer Kontrolle vor der Inbetriebnahme eine Anomalie festgestellt wird, andererseits kann dies zu schweren Motorschäden oder Verletzungen führen.

Gegenstand	Zu prüfende Punkte	Abhilfe
Kraftstoffsystem	<ul style="list-style-type: none"> · Kraftstoffmenge im Tank überprüfen. · Kraftstofffilter auf Schmutz und Wasser überprüfen. · Gummileitungen auf Benzinlecks überprüfen. 	Auffüllen Reinigen oder notfalls austauschen. Falls nötig, austauschen
Tankdeckel	<ul style="list-style-type: none"> · Risse, Lecks oder Schäden am Tankverschluss überprüfen. · Risse oder Schäden an der Dichtung überprüfen. · Lecks überprüfen, wenn der Verschluss vollständig geschlossen ist. · Sperrvorrichtung überprüfen. 	Falls nötig, austauschen Falls nötig, austauschen Falls nötig, austauschen Falls nötig, austauschen
Motoröl	<ul style="list-style-type: none"> · Ölstand prüfen. 	Öl auffüllen
Elektrische Ausrüstung	<ul style="list-style-type: none"> · Zündschloss auf normale Funktion überprüfen. · Batterieflüssigkeit und -dichte überprüfen. · Lose Batterieanschlüsse überprüfen. · Prüfen, ob der Stoppschalter korrekt arbeitet und ob die Stoppschaltersperre vorhanden ist. · Kabel auf lose Verbindungen und Schäden überprüfen. · Zündkerzen auf Schmutz, Abnutzung und Kohlenstoffablagerungen untersuchen. · Warnsummer (ein Summton) und LED-Warnlampe (ON für 5 bis 7 Sek.) beim Starten kontrollieren. 	Falls nötig, austauschen Auffüllen oder austauschen Nachziehen Berichtigen oder notfalls austauschen. Korrigieren oder notfalls austauschen. Reinigen oder notfalls austauschen. Reparieren
Rückholstarter	<ul style="list-style-type: none"> · Seil auf Abnutzung und Schäden überprüfen. · Prüfen, ob der Mitnehmer einrastet. 	Falls nötig, austauschen Falls nötig, austauschen
Kupplung und Propellersystem	<ul style="list-style-type: none"> · Prüfen, ob die Kupplung beim Bedienen des Schalthebels einrastet. · Propeller visuell auf Beschädigung oder verbogene Blätter überprüfen. · Kontrollieren, ob die Propellermutter fest angezogen und der Sicherungssplint vorhanden ist. 	Einstellen Falls nötig, austauschen Anziehen oder austauschen
Motorbefestigung	<ul style="list-style-type: none"> · Prüfen, ob alle Klemmschrauben zur Befestigung am Boot fest angezogen sind. · Befestigung des Trimmbolzens überprüfen. 	Anziehen Falls nötig, austauschen
Powertrimm	<ul style="list-style-type: none"> · Prüfen, ob das Hoch- und Herunterkippen des Motors funktioniert. 	Reparieren

Gegenstand	Zu prüfende Punkte	Abhilfe
Kühlwasser	· Prüfen, ob Kühlwasser an der Kontrollöffnung austritt, nachdem der Motor gestartet wurde.	Reparieren
Werkzeuge und Ersatzteile	· Prüfen, ob Werkzeuge und Ersatzteile für Zündkerzenwechsel, Propeller usw. vorhanden sind. · Kontrollieren Sie, ob Sie ein Ersatzseil und eine Ersatz-Stoppeschaltersperre dabei haben.	Bestellen Bestellen
Steuerung	· Funktion des Steuerhebels überprüfen.	Reparieren
Andere Teile	· Prüfen, ob die Anode sicher installiert ist. · Anode auf Korrosion und Verformung überprüfen.	Falls nötig, reparieren. Austauschen

ENOM00081-A

Ölstand überprüfen

Durch einen zu geringen oder zu hohen Motorölstand wird die Lebensdauer Ihres Motors erheblich verkürzt.

1. Stoppen Sie den Motor und bringen Sie ihn in eine senkrechte Position.
2. Entfernen Sie die obere Motorabdeckung.
3. Entfernen Sie den Ölpeilstab 5 Minuten nach dem der Motor gestoppt wurde.
4. Säubern Sie den Ölpeilstab mit einem sauberen Tuch.
5. Stecken Sie den Ölpeilstab wieder rein.
6. Ziehen Sie den Ölpeilstab wieder heraus und kontrollieren den Ölstand.
7. Stecken Sie den Ölpeilstab wieder in seine Öffnung.



ENOF00081-0

1. Obere Markierung 1800 mL
2. Untere Markierung 1600 mL

ENON00024-0

Anmerkung

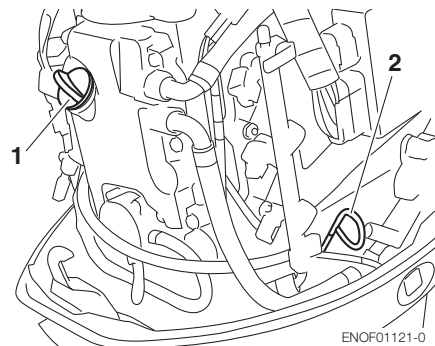
Der Ölstand sollte bei kaltem Motor überprüft werden.

ENON00025-0

Anmerkung

Wenn das Motoröl milchig oder verunreinigt erscheint, kontaktieren Sie einen autorisierten Fachhändler.

10



ENOF01121-0

1. Verschlusskappe am Einfüllstutzen
2. Ölpeilstab

ENOM00082-A

Motoröl auffüllen

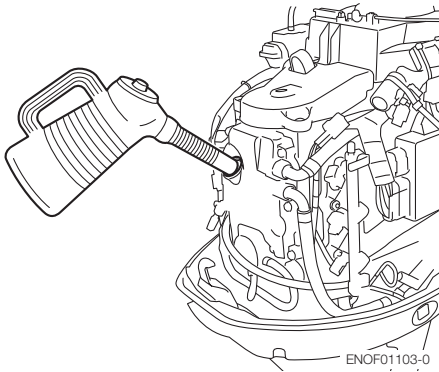
ENOW00079-A

⚠ VORSICHT

- Füllen Sie kein Motoröl von einer anderen Marke oder Qualität als das bereits verwendete ein. Falls ein anderes Motoröl nachgefüllt wurde, lassen Sie das Öl ab und kontaktieren Sie Ihren Händler.

- Falls etwas anderes außer Öl z. B. Benzin in den Ölraum gefüllt wurde, lassen Sie das Öl ab und kontaktieren Sie Ihren Händler.
- Beachten Sie beim Auffüllen des Motoröls, dass keine Fremdkörper wie Staub oder Wasser in den Ölraum gelangen.
- Wischen Sie übergelaufenes Motoröl sofort weg und entsorgen es in Übereinstimmung mit den lokalen Brandschutz- und Umweltschutzvorschriften.
- Füllen Sie Motoröl maximal bis zur oberen Ölstandmarkierung auf. Falls versehentlich überfüllt wurde, entfernen Sie das überschüssige Öl. Ansonsten kann das Motoröl möglicherweise auslaufen und den Motor beschädigen.

Wenn der Ölstand zu niedrig ist oder sich auf Höhe der unteren Markierung befindet, füllen Sie das empfohlene Öl bis zur oberen Ölpeilstabmarkierung auf.



ENOM00083-B

Außenborder reinigen

ENOW00081-0

! WARNUNG

Starten Sie den Motor nie, bevor Sie nicht den Propeller entfernt haben, da ein sich

zufällig drehender Propeller Verletzungen verursachen kann.

ENOW00082-0

! WARNUNG

Starten oder nehmen Sie den Motor nie in einem Gebäude oder einem Raum in Betrieb, der nicht ausreichend belüftet ist. Die Abgase enthalten Kohlenmonoxid, ein farbloses und geruchloses Gas. Das Gas kann tödlich sein, wenn es über einen längeren Zeitraum eingeatmet wird.

ENOW00920-0

! VORSICHT

Wenn der Außenbordmotor gewaschen wird, seien Sie bitte vorsichtig, damit kein Wasser unter die obere Motorabdeckung und speziell an die Elektroteile gelangt.

ENON00026-0

Anmerkung

Es wird empfohlen, die chemische Zusammensetzung des Wassers zu kontrollieren, in dem Ihr Außenborder regelmäßig zum Einsatz kommt.

Wenn der Außenbordmotor in Salzwasser, verschmutzten Gewässern oder in Wasser mit einem hohen Säuregehalt betrieben wird, verwenden Sie Frischwasser, um Salz, Chemikalien oder Schmutz zu entfernen. Und spülen Sie den Kühlwasserkanal nach jeder Fahrt oder vor einer längeren Einlagerung des Außenbordmotors. Entfernen Sie vor dem Spülen den Propeller und die davor installierte Propellerdruckscheibe.

ENOM00085-A

Spülstopfen

ENOW00921-0

⚠ VORSICHT

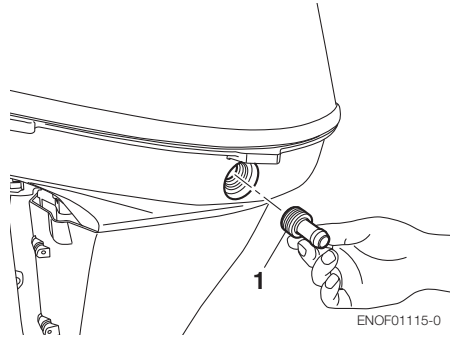
Verwenden Sie den Motor nicht, wenn der Außenbordmotor mit einem Spülstopfen gespült wird, da dies zu Beschädigungen führen kann.

ENOW00922-0

⚠ VORSICHT

Um zu verhindern, dass der Motor startet, wenn Sie in der Nähe des Propellers sind, entfernen Sie die Stoppschaltersperre.

1. Kippen Sie den Außenborder nach unten.
2. Entfernen Sie die Abdeckung des Spülanschlusses vom Außenbordmotor und schrauben Sie den Spülstopfen ein.
3. Schließen Sie einen Wasserschlauch an. Drehen Sie das Wasser auf und regeln Sie den Durchfluss. Spülen Sie den Außenbordmotor für ca. 3 bis 5 Minuten.
4. Versichern Sie sich nach dem Spülen, dass die Abdeckung des Spülanschlusses wieder angebracht wird.
5. Kippen Sie den Außenborder nach oben.



1. Spülstopfen

ENOM00085-A

Spülen Sie den Test-tank

ENOW00081-0

⚠ WARNUNG

Starten Sie den Motor nie, bevor Sie nicht den Propeller entfernt haben, da ein sich zufällig drehender Propeller Verletzungen verursachen kann.

ENOW00082-0

⚠ WARNUNG

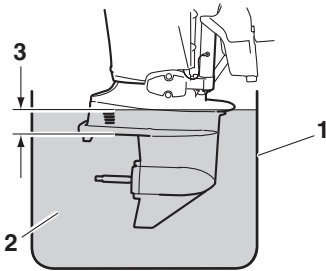
Starten oder nehmen Sie den Motor nie in einem Gebäude oder einem Raum in Betrieb, der nicht ausreichend belüftet ist. Die Abgase enthalten Kohlenmonoxid, ein farbloses und geruchloses Gas. Das Gas kann tödlich sein, wenn es über einen längeren Zeitraum eingeatmet wird.

ENOW00036-A

⚠ VORSICHT

Vermeiden Sie Überhitzung und Schäden an der Wasserpumpe, wenn der Motor in einem Testbecken gestartet wird. Stellen Sie sicher, dass der Wasserstand mindestens 10cm (4 in.) über der Antikavitationsplatte steht.

Und stellen Sie sicher, den Propeller zu entfernen, wenn der Motor in einem Testbecken gestartet wird. (siehe page 78) Lassen Sie den Motor nur im Leerlauf laufen.



ENOF00863-0

1. Testbecken
2. Wasser
3. Über 10 cm (4 in.)

ENOM00950-0

Sicherung austauschen

ENOW00923-0

⚠ VORSICHT

Bevor Sie eine Sicherung austauschen, trennen Sie bitte das Massekabel (-) der Batterie. Nichtbefolgen kann zu einem Kurzschluss führen.

10

ENOW00924-0

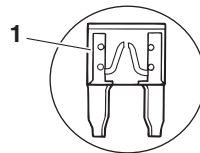
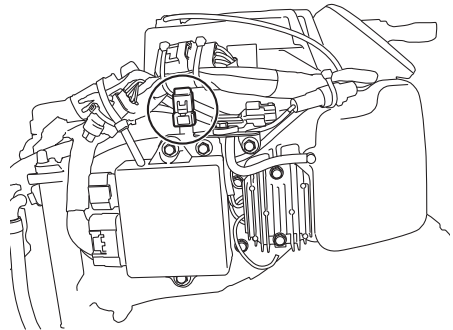
⚠ VORSICHT

Verwenden Sie nie eine Sicherung, deren Nennwert höher ist, als angegeben, da dies zu schweren Schäden an der Elektrik führen kann.

Wenn eine Sicherung durchbrennt, dann versuchen Sie die Ursache festzustellen und zu beheben. Wenn die Ursache nicht behoben wird, wird die Sicherung mit aller Wahrscheinlichkeit wieder durchbrennen.

Wenn die Sicherung weiterhin durchbrennen sollte, lassen Sie den Außenbordmotor bitte von einem offiziellen Tohatsu Händler warten.

1. Schalten Sie den Motor aus und trennen Sie bitte das Massekabel (-) der Batterie.
2. Entfernen Sie die Motorabdeckung.
3. Entfernen Sie den Deckel des Sicherungskasten.
4. Entfernen Sie die Sicherung und überprüfen Sie sie. Wenn die Sicherung durchgebrannt ist, dann ersetzen Sie sie mit einer Sicherung mit gleichem Nennwert. Der Außenbordmotor wird mit Ersatzsicherungen in einer dafür vorgesehenen Halterung ausgeliefert.



ENOF01122-0

1. Durchgebrannte Sicherung

ENOM00090-0

2. Regelmäßige Inspektion

Es ist wichtig, dass Ihr Außenborder regelmäßig inspiziert und gewartet wird. Stellen Sie sicher, dass bei jedem Intervall, das auf der unten abgebildeten Tabelle angegeben ist, die entsprechende Wartung durchgeführt wird.

Wartungsintervalle sollten nach der Anzahl der Betriebsstunden oder -monate durchgeführt werden, je nachdem was zuerst eintritt.

Beschreibung		Inspektionsintervalle				Inspektionsmaßnahmen	Hinweise
		Erste 20 Stunden oder nach einem Monat	Alle 50 Stunden oder nach drei Monaten	Alle 100 Stunden oder nach sechs Monaten	Alle 200 Stunden oder nach einem Jahr		
Kraftstoffsystem	Hochdruckkraftstofffilter*1					Alle 200 Stunden oder nach zwei Jahren austauschen	
	Kraftstofffilter	•	•			Überprüfen, reinigen oder falls notwendig austauschen. (siehe page 76)	
	Leitungen/Schläuche	•	•			Überprüfen, reinigen oder falls notwendig austauschen.	
	Kraftstofftank	•		•		Reinigen (siehe page 75)	
	Tankdeckel	•	•			Überprüfen, reinigen oder falls notwendig austauschen.	
	Kraftstoffpumpe*1	•	•			Überprüfen, reinigen oder falls notwendig austauschen.	
Zündung	Zündkerze	•		•		Elektrodenabstand überprüfen. Kohleablagerungen entfernen und falls notwendig austauschen. (siehe page 79)	0,8 - 0,9 mm (0.031-0.035 in)
Startsystem	Starterseil	•	•			Auf Abnutzung oder Abreibungen überprüfen.	
	Startermotor*1			•		Auf Salzablagerungen überprüfen und die Batteriekabel kontrollieren.	
	Batterie	•	•			Befestigung, Flüssigkeitsstand und Dichte überprüfen.	
Motor	Motoröl	Austauschen •		Austauschen •		- Ersetzen (siehe page 67)	1800 ml (63.3 fl.oz.)
	Ölfilter*1					Alle 200 Stunden oder nach zwei Jahren austauschen (siehe page 74)	Gesamte Filterpatrone
	Ventilspiel*1	•		•		Überprüfen & Einstellen	IN: 0.13-0.17 mm (0.0051-0.0067 in) EX: 0.18-0.22 mm (0.0071-0.0087 in)
	Zahnriemen*1			•		Überprüfen und notfalls austauschen.	
	Kompressionsdruck*1				•	Überprüfen und notfalls austauschen.	
	Luftfilter*1					Alle 200 Stunden oder nach zwei Jahren austauschen	
	Brennkammer*1					Alle 200 Stunden oder nach zwei Jahren reinigen	
	Temperaturregventil*1			•		Überprüfen und notfalls austauschen.	

Beschreibung		Inspektionsintervalle				Inspektionsmaßnahmen	Hinweise
		Erste 20 Stunden oder nach einem Monat	Alle 50 Stunden oder nach drei Monaten	Alle 100 Stunden oder nach sechs Monaten	Alle 200 Stunden oder nach einem Jahr		
Untere Einheit	Propeller	•	•			Auf verbogene Blätter, Schäden oder Abnutzung überprüfen. Falls nötig, austauschen. (siehe page 78)	
	Getriebeöl	Austauschen •	•	Austauschen •		Tauschen Sie das Öl aus oder füllen Sie es auf und schauen Sie nach Wasserlecks. (siehe page 77)	360 mL (12.2 fl.oz.)
	Kühlwassereinlass	•	•			Überprüfen Sie auf Verstopfungen	
	Kraftstoffpumpe*1		•		Austauschen •	Auf Abnutzung oder Beschädigung überprüfen und notfalls austauschen	Tauschen Sie das Antriebsrad alle 12 Monate aus.
Powertrimmschalter *1		•		•		Überprüfen Sie das Öl und füllen Sie es auf, von Hand betätigen.	
Warnsystem*1			•			Funktion überprüfen	
Schrauben und Muttern		•	•			Nachziehen	
Drosselklappe				•			
Seilzug			•				
Gleitende und rotierende Teile Schmiernippel		•	•			Einfetten und abschmieren. (siehe page 84)	
Äußere Bauteile		•	•			Auf Korrosion überprüfen.	
Anode				•		Auf Korrosion und Verformung überprüfen.	Falls nötig, austauschen.

*1: Lassen Sie dies von Ihrem Vertragshändler ausführen.

ENON00030-0

Anmerkung

Ihr Außenborder sollte nach 300 Stunden eine gründliche und vollständige Inspektion durchlaufen. Dies ist der optimale Zeitpunkt, um wichtige Wartungsmaßnahmen durchzuführen.

ENOM00091-A

Motorölwechsel

ENOW00091-0

VORSICHT

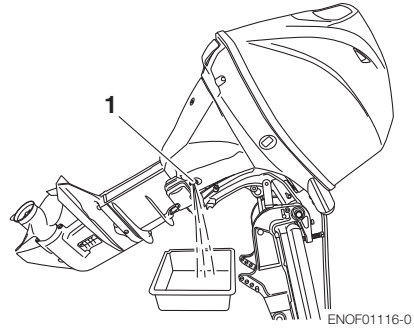
Wenn Sie das Motoröl unmittelbar nach dem Stoppen auffüllen, können Sie sich am heißen Motor verbrennen. Das Wechseln des Motoröls sollte daher erst nach dem Abkühlen des Motors erfolgen.

ENOW00092-A

VORSICHT

- **Füllen Sie nicht zu viel Motoröl ein, da das Motoröl sonst austreten kann und/oder den Motor beschädigen könnte. Wenn der Motorölstand über der oberen Markierung des Ölstabs liegt, sollten Sie Öl ablassen, bis er unter diese Markierung sinkt.**
- **Versichern Sie sich, dass sich der Außenborder in einer aufrechten und waagerechten Position befindet, wenn Sie Öl kontrollieren oder wechseln.**

- **Stoppen Sie den Motor sofort, wenn die Öldruckwarnlampe leuchtet oder ein Leck gefunden wird, da der Motor sonst schwer beschädigt werden kann. Erkundigen Sie sich beim Vertragshändler.**
- **Wischen Sie übergelaufenes Motoröl sofort weg und entsorgen es in Übereinstimmung mit den lokalen Brandschutz- und Umweltschutzvorschriften.**



ENOW00090-0

⚠ VORSICHT

Die Verwendung von Motoröl, das nicht diesen Vorgaben entspricht, reduziert die Lebensdauer Ihres Motors und führt zu weiteren Motorproblemen.

ENOW00933-0

⚠ VORSICHT

Mit Staub oder Wasser verunreinigtes Motoröl wird die Lebensdauer Ihres Motors erheblich verkürzen.

Um das Motoröl zu wechseln:

Versichern Sie sich, nur empfohlenes Motoröl zu verwenden (siehe page 13).

1. Den Motor abschalten und abkühlen lassen.
2. Kippen Sie den Außenbordmotor nach oben und blockieren Sie die Kippvorrichtung mit der Kippsperr.
3. Stellen Sie den Steuergriff des Außenborders so, dass die Ölablassschraube nach unten zeigt.
4. Stellen Sie eine Auffangwanne unter die Ölablassschraube.
5. Schrauben Sie die Ablassschraube heraus und lassen Sie das Motoröl komplett ab.

1. Ablassöffnung
6. Ziehen Sie die Ölablassschraube, indem Sie etwas Öl auf die Dichtfläche der Schraube geben. (Verwenden Sie eine neue Unterlegscheibe für die Ölablassschraube.

Anzugsdrehmoment für die Ölablassschraube.

24 N·m (17 ft·lb, 2.4 kgf·m)

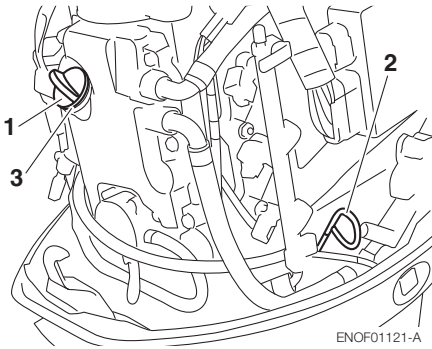
ENON00028-A

Anmerkung

Wenn kein Drehmomentschlüssel zum Befestigen des Ölfilters zur Verfügung steht, dann gilt als Faustregel: Handfest anziehen und 3/4 bis 1 Umdrehung nachziehen. Ziehen Sie das Ölfilter mit dem korrekten Drehmoment an, sobald Sie einen Drehmomentschlüssel zur Hand haben.

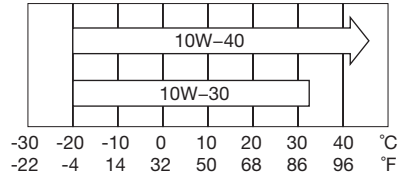
7. Kippen Sie den Motor in eine senkrechte Position.
8. Wiederholen Sie die Schritte 3 bis 7 zwei oder drei Mal, um das Öl komplett abzulassen.
9. Entfernen Sie die obere Motorabdeckung und den Öltankdeckel.

10. Befüllen Sie den Motor über den Einfüllstutzen mit dem empfohlenen Motoröl (siehe nachfolgende Tabelle) bis zur mittleren Ölpeilstabmarkierung.
11. Drehen Sie den Öltankdeckel fest.



ENOF01121-A

1. Verschlusskappe am Einfüllstutzen
2. Ölpeilstab
3. Einfüllöffnung



ENOF00208-0

Ölmenge für einen kompletten Ölwechsel	
Mit Ölfilterwechsel	Ohne Ölfilterwechsel
1800 mL (63.3 fl.oz.)	1600 mL (56.3 fl.oz.)

ENOW00925-0

⚠ VORSICHT

Wischen Sie übergelaufenes Motoröl sofort weg und entsorgen es in Übereinstimmung mit den lokalen Brandschutz- und Umweltschutzvorschriften.

10



ENOF00113-0

1. Oberer Ölstand (Max.)
2. Unterer Ölstand (Min.)

ENON00920-0

Anmerkung

Verwenden Sie nur empfohlenes Motoröl (siehe page 13)

ENON00031-0

Anmerkung

- Sollten Sie im Motoröl Spuren von Wasser finden, das es milchig erscheinen lässt, kontaktieren Sie den Vertragshändler.
- Wenn das Motoröl mit Benzin vermischt ist und stark nach Benzin riecht, kontaktieren Sie den Vertragshändler.
- Etwas Ölverdünnung ist normal, wenn der Motor längere Zeit im Leerlauf oder mit geringer Drehzahl betrieben wurde. Dies gilt

ENOM00092-A

Ölfilterwechsel

ENOW00091-0

⚠ VORSICHT

Wenn Sie das Motoröl unmittelbar nach dem Stoppen auffüllen, können Sie sich am

heißen Motor verbrennen. Das Wechseln des Motoröls sollte daher erst nach dem Abkühlen des Motors erfolgen.

ENOW00926-0

⚠ VORSICHT

Wischen Sie übergelaufenes Motoröl sofort weg und entsorgen es in Übereinstimmung mit den lokalen Brandschutz- und Umweltschutzvorschriften.

1. Lassen Sie das Motoröl ab.
2. Legen Sie ein Tuch oder Lappen unter den Ölfilter, um eventuell austretendes Motoröl aufzufangen.
3. Lösen Sie den alten Ölfilter, indem Sie den Filter entgegen dem Uhrzeigersinn drehen.
4. Reinigen Sie die Dichtfläche. Streichen Sie sauberes Öl auf den O-Ring.

Verwenden Sie hierfür kein Fett.

Installieren Sie das Ölfilter und ziehen es mit einem Ölfilterschlüssel mit dem entsprechenden Anzugsdrehmoment fest.

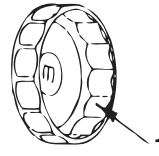
Anzugsdrehmoment des Ölfilters:

18 N·m (12 ft·lb, 1.8 kgf·m)

ENON00028-A

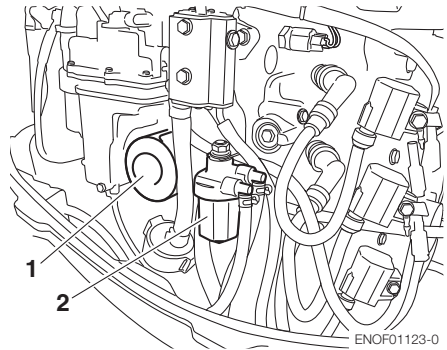
Anmerkung

Wenn kein Drehmomentschlüssel zum Befestigen des Ölfilters zur Verfügung steht, dann gilt als Faustregel: Handfest anziehen und 3/4 bis 1 Umdrehung nachziehen. Ziehen Sie das Ölfilter mit dem korrekten Drehmoment an, sobald Sie einen Drehmomentschlüssel zur Hand haben.



ENOF00094-0

1. Ölfilterschlüssel
P/N 3AC-99090-0
P/N 3AC99090M
(nur US, KANADA)



ENOF01123-0

1. Ölfilter
2. Kraftstofffilter

ENOM00093-A

Reinigung der Kraftstofffilter und des Kraftstofftanks

ENOW00093-A

⚠ WARNUNG

Kraftstoffe und ihre Dämpfe sind stark entflammbar und können explodieren.

- **Beginnen Sie mit diesem Arbeitsschritt nicht, solange der Motor läuft oder nach dem Stoppen noch zu heiß ist.**
- **Halten Sie den Kraftstofffilter von jeder Zündquelle wie Funken oder offenes Feuer fern.**
- **Wischen Sie übergelaufenes Getriebeöl sofort weg und entsorgen es in Übereinstimmung mit den lokalen**

Brandschutz- und Umweltschutzvorschriften.

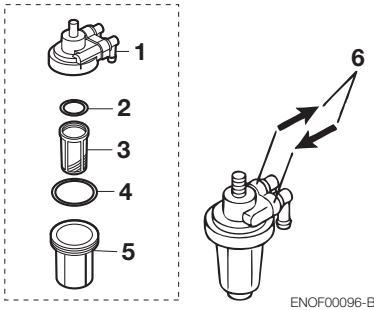
- **Installieren Sie den Kraftstofffilter mit allen wichtigen Teilen, da ansonsten Benzin austreten kann und Feuer fangen oder explodieren könnte.**
- **Kontrollieren Sie das Kraftstoffsystem regelmäßig auf Lecks.**
- **Für die Wartung des Kraftstoffsystems kontaktieren Sie den Vertragshändler. Wartung durch eine nicht qualifizierte Person kann zu Motorschäden führen.**

Die Kraftstofffilter befinden sich im Tank und Motor.

ENOM00094-0

Kraftstofffilter (am Motor)

1. Kontrollieren Sie den Filterbecher auf Wasser und Schmutz.



ENOF00096-B

1. Gehäuse
2. O-Ring
3. Filter
4. O-Ring
5. Filterbecher
6. Pfeil zur Markierung der Fließrichtung

2. Falls vorhanden, lösen Sie die Schläuche am Kraftstoffanschluss und an der Kraftstoffpumpe.
3. Entfernen Sie den Filterbecher, den Filter und die O-Ringe vom Kraftstofffiltergehäuse.

4. Kontrollieren Sie alle Teile auf Abnutzung und Verstopfung und tauschen Sie sie notfalls aus.
5. Entfernen Sie Kraftstoff, Wasser und Ablagerungen vom Filterbecher, Filter und Schläuchen.
6. Alle Teile wieder zusammenbauen.

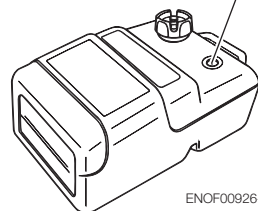
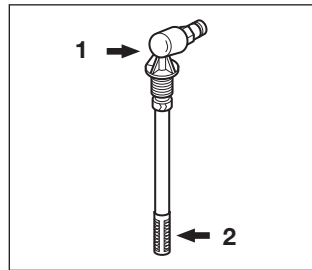
ENOM00096-A

Kraftstofffilter (am Kraftstofftank)

Wasser oder Schmutz im Tank führen zu Leistungsabfällen des Motors.

Kontrollieren und reinigen Sie den Tank in den festgelegten Zeiträumen oder nachdem der Außenborder für längere Zeit gelagert wurde (mehr als 3 Monate).

1. Entfernen Sie den Ansaugstutzen des Kraftstofftanks, indem Sie ihn entgegen des Uhrzeigersinns drehen.
2. Reinigen Sie den Kraftstofffilter, und überprüfen Sie den O-Ring. Falls nötig, austauschen.
3. Alle Teile wieder zusammenbauen.



ENOF00926-0

1. Ansaugstutzen
2. Filter

ENOM00098-A

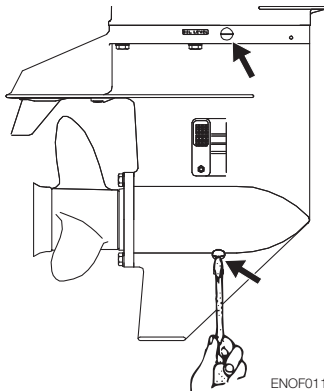
Getriebeölwechsel

ENOW00094-0

! WARNUNG

- **Versichern Sie sich, dass der Außenborder am Spiegel oder am Serviceständer gesichert ist, da ein versehentliches Herunterfallen des Außenborders zu schweren Verletzungen führen kann.**
- **Versichern Sie sich, dass der Außenborder blockiert ist, wenn er hochgeklappt wird, da ein versehentliches Herunterfallen des Außenborders zu schweren Verletzungen führen kann.**
- **Begeben Sie sich nicht unter den hochgeklappten und blockierten Außenborder, da ein versehentliches Herunterfallen des Außenborders zu schweren Verletzungen führen kann.**

1. Kippen Sie den Außenborder nach unten.
2. Entfernen Sie den oberen und unteren Ölstopfen und lassen Sie das Getriebeöl in eine Auffangwanne vollständig ab.



ENOF01133-0

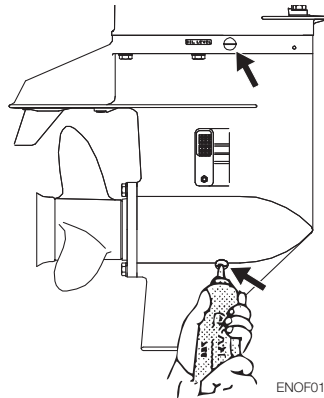
3. Stecken Sie die Öltubenspitze in die untere Ölstopfenöffnung und drücken Sie die Tube, bis aus der oberen Ölstopfenöffnung Öl austritt.

ENON00033-0

Anmerkung

Verwenden Sie Originalgetriebeöl oder das von uns empfohlene (API GL5: SAE #80 bis #90).

Erforderliche Volumen: ca. 360 mL (11.8 fl.oz).



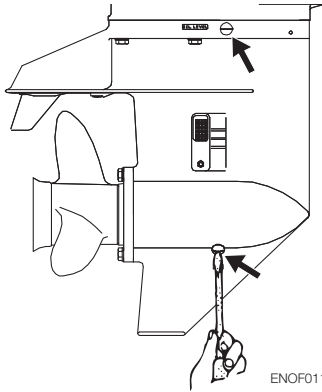
ENOF01132-0

4. Setzen Sie den oberen Ölstopfen ein, entfernen Sie die Öltubenspitze und setzen Sie dann den unteren Ölstopfen ein.

ENOW00095-0

! VORSICHT

Verwenden Sie für den Ölstopfen nie die alte Dichtung. Verwenden sie immer eine neue Dichtung und ziehen Sie den Ölstopfen fest, damit kein Wasser in den unteren Teil des Motors eindringen kann.



ENOW00928-0

⚠ VORSICHT

Wischen Sie übergelaufenes Getriebeöl sofort weg und entsorgen es in Übereinstimmung mit den lokalen Brandschutz- und Umweltschutzvorschriften.

ENON00032-0

Anmerkung

Sollte Wasser im Öl sein, nimmt es eine milchige Farbe an. Kontaktieren Sie Ihren Vertragshändler.

ENON00033-0

Anmerkung

Verwenden Sie Originalgetriebeöl oder das von uns Empfohlene (API GL5: SAE #80 bis #90). Erforderliche Volumen: ca. 360 mL (11.8 fl.oz).

ENOM00086-A

Propelleraustausch

ENOW00084-0

⚠ WARNUNG

- Fangen Sie mit dem Auswechseln und Montage des Propellers nicht an, wenn die Kappen der Zündkerzen aufgesteckt sind, der Vor- oder Rückwärtsgang

eingelegt ist, das Zündschloss nicht auf der "OFF" Position steht, die Motorstoppschaltersperre am Schalter angebracht ist und der Zündschlüssel eingesteckt ist, da der Motor sonst zufällig starten und schwere Verletzungen verursachen könnte. Sofern möglich, klemmen Sie die Batterie ab.

- Der Propeller-Rand ist dünn und scharf. Tragen Sie die Handschuhe, während des Austausches, um Ihre Hände zu schützen.

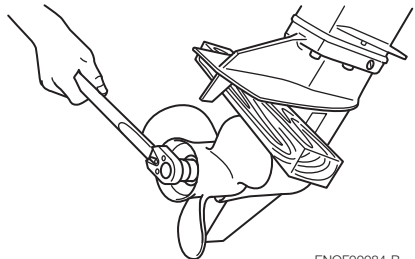
ENOW00086-0

⚠ VORSICHT

- Montieren Sie den Propeller nicht ohne Druckscheibe, da die Propellerlochplatte beschädigt werden könnte.
- Verwenden Sie einen neuen Sicherungssplint.
- Nach dem installieren, spreizen Sie den Sicherungssplint, damit er nicht herausfallen kann. Ansonsten könnte sich der Propeller im Betrieb lösen.

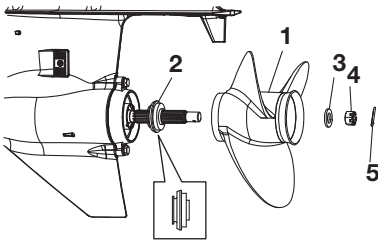
Ein beschädigter oder verbogener Propeller mindert die Motorleistung und verursacht Motorprobleme.

1. Blockieren Sie den Propeller mit einem Stück Holz, das zwischen die Propellerblätter und die Antikavitationsplatte gelegt wird.



ENOF00084-B

- Entfernen Sie den Sicherungssplint, die Propellermutter und Unterlegscheibe.
- Entfernen Sie den Propeller und die Druckscheibe.
- Fetten Sie die Propellerwelle mit wasserabweisendem Originalfett ein, bevor Sie den neuen Propeller montieren.
- Montieren Sie die Druckscheibe, den Propeller, den Stopper und die Propellermutter auf der Welle.



ENOF00084-C

- Propeller
- Druckscheibe
- Unterlegscheibe
- Propellermutter
- Sicherungssplint
- Ziehen Sie die Propellermutter mit dem entsprechenden Drehmoment an und justieren eine der Nuten mit dem Loch des Propellerschafts.

Anzugsdrehmoment der Propellermutter:

25 N·m (18 ft·lb, 2.5kgf·m)

- Führen Sie einen neuen Sicherungssplint in die Öffnung der Welle ein und biegen Sie in um.



ENOF00084-D

ENOM00087-A

Zündkerzenwechsel

ENOW00087-0

⚠️ WARNUNG

- Verwenden Sie keine Zündkerze mit beschädigter Isolierung, da der Zündfunke durch den Riss entweichen kann und möglicherweise zu Stromschlägen, Explosion und/oder Feuer führt.
- Fassen Sie die Zündkerzen nach dem Stoppen des Motors nicht sofort an, da sie sehr heiß sind und Verbrennungen hervorrufen können. Lassen Sie den Motor erst abkühlen.

ENOW00929-0

⚠️ VORSICHT

Verwenden Sie nur die empfohlenen Zündkerzen. Zündkerzen mit einem anderen Wärmewert können Schäden am Motor verursachen.

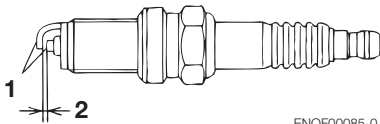
Wenn die Elektrode verölt, verkohlt oder abgenutzt ist, muss sie ausgewechselt werden.

Wenn Sie Zündkerzen wiederverwenden, entfernen Sie den Schmutz von den Elektroden und stellen Sie den richtigen Elektrodenabstand ein.

- Stoppen Sie den Motor.
- Entfernen Sie die obere Motorabdeckung.
- Ziehen Sie die Zündkerzenstecker ab.
- Entfernen Sie die Zündkerzen durch Drehen entgegen des Uhrzeigersinns. Dazu verwenden Sie einen 5/8" (16 mm) Steckschlüssel mit Griff, den sich in der Werkzeugtasche befindet.

5. Zündkerze kontrollieren. Tauschen Sie die Zündkerze aus, wenn die Elektroden abgenutzt sind oder die Isolatoren Risse haben oder beschädigt sind.
6. Messen Sie den Abstand der Elektrode mit einer Drahtfühlerlehre. Der Abstand sollte 0.8-0.9 mm (0.031-0.035 Inches) betragen. Wenn der Abstand anders sein sollte, tauschen Sie die Zündkerze aus.

Verwenden Sie eine NGK DCPR-6E Zündkerze.



ENOF00085-0

1. Elektrode
2. Spaltabstand (0.8-0.9 mm, 0.031-0.035 in)

7. Drehen Sie die Zündkerze vorsichtig mit der Hand rein, um ein schiefes Eindrehen zu verhindern.
8. Ziehen Sie die Zündkerze mit dem richtigen Drehmoment an.

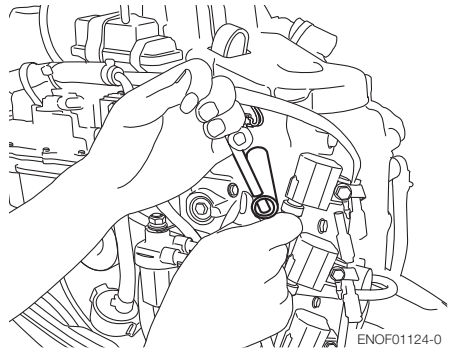
ENON00028-0

Anmerkung

- **Anzugsdrehmoment der Zündkerze:**
18.0 ·Nm (13.3 ft·lb) [1.84 kgf·m]

Wenn kein Drehmomentschlüssel zum Befestigen der Zündkerze zur Verfügung steht, dann gilt als Faustregel: Handfest anziehen und 1/4 bis 1/2 Umdrehung nachziehen. Ziehen Sie die Zündkerze mit dem korrekten Drehmoment an, sobald Sie

einen Drehmomentschlüssel zur Hand haben.



ENOF01124-0

ENOM00088-A

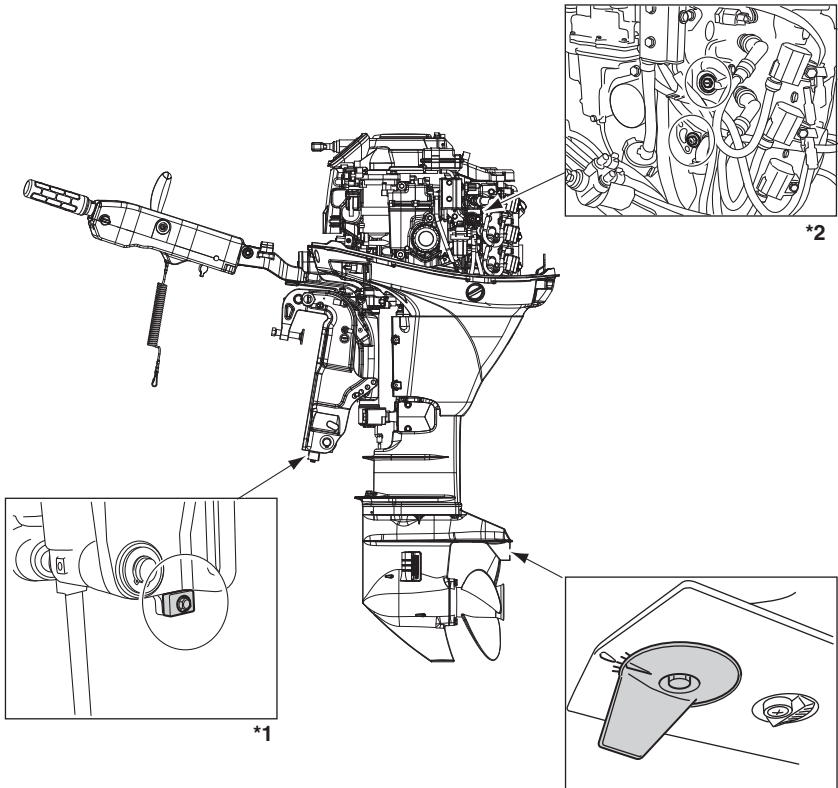
Anodenwechsel

Eine Opferanode schützt den Außenborder vor elektrolytischer Korrosion. Die Anode befindet sich am Getriebegehäuse, Zylinder usw.. Wenn die Anode mehr als 1/3 der Originalgröße abgenutzt ist, muss sie ausgewechselt werden.

ENON00029-0

Anmerkungen

- Niemals die Anode einfetten oder anstreichen.
- Bei jeder Inspektion die Befestigungsschrauben der Anode nachziehen. Auch sie sind der elektrolytischen Korrosion ausgesetzt.



ENOF01125-0

*1 : Beidseitig

*2 : Entfernen Sie den Kraftstoff-Filter, um auf die Anode zu zugreifen.

ENOM00089-B

Öl des Power-Kippsystems überprüfen

ENOW00088-0



WARNUNG

- **Versichern Sie sich, dass der Außenborder am Spiegel oder am Serviceständer gesichert ist, da ein versehentliches Herunterfallen des Außenborders zu schweren Verletzungen führen kann.**
- **Versichern Sie sich, dass der Außenborder blockiert ist, wenn er hochgeklappt wird, da ein versehentliches Herunterfallen des Außenborders zu schweren Verletzungen führen kann.**
- **Begeben Sie sich nicht unter den hochgeklappten und blockierten Außenborder, da ein versehentliches Herunterfallen des Außenborders zu schweren Verletzungen führen kann.**

ENOW00089-A



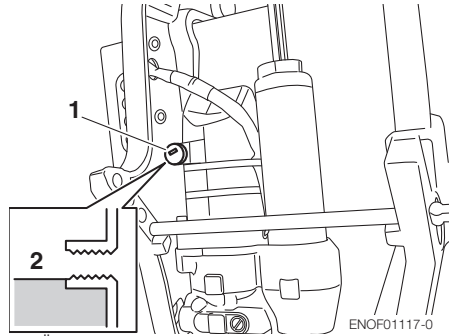
VORSICHT

Drehen Sie den Öldeckel nicht ganz heraus, wenn der Motor heruntergekippt ist. Das unter Druck stehende Öl im Öltank könnte herauspritzen.

10

Überprüfen Sie den Ölstand im Vorratstank, wenn der Tank senkrecht steht.

1. Kippen Sie den Außenbordmotor nach oben und blockieren Sie die Kippvorrichtung mit der Kippsperr.
2. Drehen Sie den Ölstopfen gegen den Uhrzeigersinn heraus und überprüfen Sie, ob der Ölstand die untere Kante der Öffnung erreicht hat



1. Ölkappe

2. Ölstand

Empfohlenes Öl

Verwenden Sie ein Automatikgetriebeöl oder ähnliches.

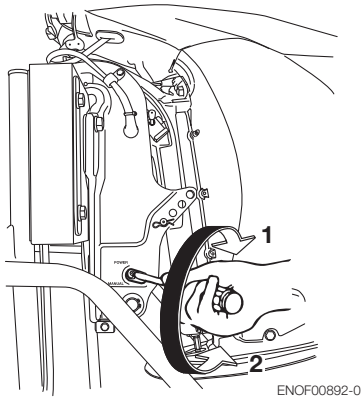
Folgende Ölsorten werden empfohlen.

ATF Dexron III

Entlüftung des Powertrim- und Kippsystems.

Durch Luft im Powerkippsystem wird eine schlechte Kippbewegung und Geräusche verursacht.

1. Wenn der Motor am Boot installiert ist, drehen Sie die Ventilschraube in Richtung "Manual" (Handbetrieb) und kippen Sie den Außenborder manuell 5 bis 6 mal rauf und runter, wobei Sie den Ölstand im Auge behalten.
2. Wenn Sie diesen Vorgang beendet haben, schließen Sie das Ventil wieder, indem Sie die Schraube im Uhrzeigersinn in Richtung POWER (Motorbetrieb) drehen.

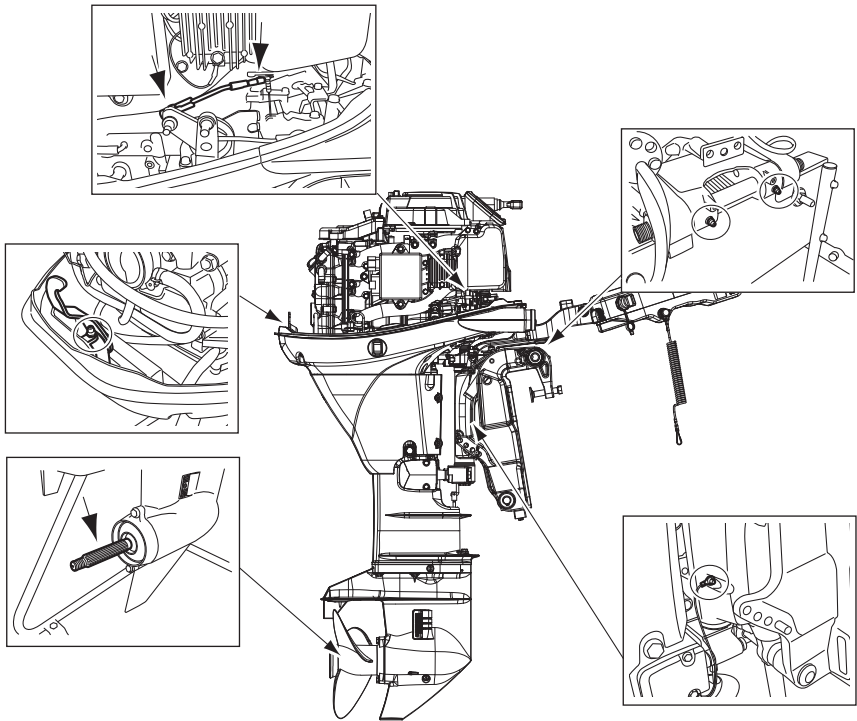


- 1. POWER
- 2. MANUAL (Handbetrieb)

ENOM00960-0

Schmierpunkt

Verwenden Sie wasserbeständiges Fett, um die unten gezeigten Teile zu schmieren.



ENOM00100-A

3. Lagerung außerhalb der Saison

ENOW00934-0

WARNUNG

- **Trennen Sie die Benzinzufuhr, wenn der Motor nicht in Betrieb ist.**
- **Ein Treibstoffleck ist eine Feuer- oder Explosionsgefahr, die zu schweren Verletzungen oder zum Tod führen kann.**

ENOW00097-0

WARNUNG

Versichern Sie sich, dass Sie mit einem Tuch Benzinreste im Gehäuse entfernen und es in Übereinstimmung mit den lokalen Vorschriften für Brandschutz und Umweltschutz entsorgen.

ENOW00096-0

VORSICHT

Bevor der Motor für die Lagerung entsprechend gewartet wird:

- **Entfernen Sie die Batteriekabel.**
- **Ziehen Sie die Zündkerzenstecker ab.**
- **Lassen Sie den Motor nicht außerhalb des Wassers laufen.**

Bevor sie Ihren Außenborder einlagern, ist es eine sehr gute Gelegenheit, ihn von Ihrem Fachhändler warten und überholen zu lassen.

Versichern Sie sich, einen Kraftstoffstabilisator zu verwenden, wenn der Motor vor der Lagerung benutzt wird. (siehe page 86)

ENOM00101-A

Motor

1. Waschen Sie den Motor außen und spülen Sie den Kühlwasserkreislauf mit Süßwasser. Wasser komplett ablaufen lassen.

Wischen Sie Wasser auf sämtlichen Oberflächen mit einem Öltuch ab.

2. Entfernen Sie die Kraftstoffleitung vom Außenbordmotor.
3. Lassen Sie den Kraftstoff aus den Kraftstoffschläuchen, Kraftstoffpumpe, Kraftstofffilter (siehe page 76) und dem Dampfabscheider (siehe page 87) vollständig ab und reinigen Sie diese Teile.

Denken Sie daran, dass bei längerer Lagerung von Kraftstoff im Dampfabscheider, eine gummiartige Schicht gebildet wird, durch die das Schwimmerventil verklebt und somit der Benzinfluss verringert wird.

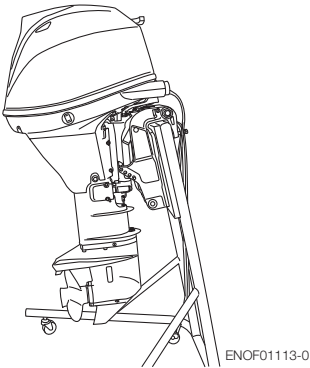
4. Entfernen Sie die Zündkerzen und füllen Sie durch die Öffnungen einen Teelöffel Motoröl oder Lagerspray in die Verbrennungskammer.
5. Betätigen Sie den Anlasser mehrmals, um die Zylinderinnenwände zu schmieren.

ENOW00930-0

WARNUNG

- **Versichern Sie sich, die Stoppschaltersperre zu entfernen, damit das Entzünden der Zündkerzen verhindert wird.**
- **Stecken Sie ein Stück Stoff in die Öffnung der Zündkerze und entfernen Sie übergelaufenes Öl vom Starten des Außenbordmotors.**

6. Wechseln Sie das Motoröl (siehe page 72).
7. Wechseln Sie das Getriebeöl im Getriebegehäuse (siehe page 77).
8. Fetten Sie die Schmierstelle (siehe page 84).
9. Stellen Sie den Motor an einem trockenen Ort senkrecht auf.

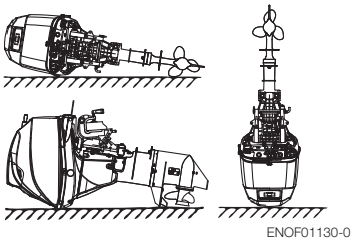


ENOW00066-0

⚠ VORSICHT

Transportieren oder lagern Sie den Außenbordmotor nicht wie unten abgebildet.

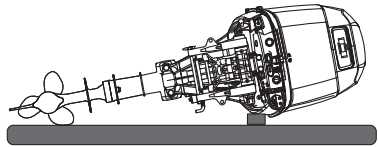
Ansonsten wird der Motor beschädigt oder es kann durch austretendes Öl Schaden im Umfeld entstehen.



ENON00021-A

Anmerkung

- Stellen Sie sicher, dass Kraftstoff und Motoröl abgelassen werden, wenn der Außenbordmotor hingelegt werden muss. Dann legen Sie den Motor auf ein Kissen, so wie es auf der unteren Zeichnung abgebildet ist. (siehe Seite 61 und 86).
- Halten Sie den Antrieb beim Transport immer 5-10 cm (2-4 inch) höher, um ein Austreten von Öl zu verhindern.



ENOF01127-0

ENOM00950-0

Hinzufügen eines Kraftstoffstabilisators

Wenn Sie einen handelsüblichen Kraftstoffstabilisatorzusatz hinzufügen, dann füllen Sie den Kraftstofftank zuerst mit frischem Benzin. Wenn der Tank nicht voll ist, kann der Kraftstoff bei der Lagerung durch die Luft im Tank Schaden nehmen.

1. Vor dem Hinzufügen des Kraftstoffstabilisatorzusatzes, entfernen Sie das Wasser aus dem Dampfabscheider (siehe page 86).
2. Folgen Sie den Anleitungen auf dem Hinweisschild, wenn Sie einen Kraftstoffstabilisatorzusatz hinzugeben.

3. Nachdem der Zusatz hinzugegeben wurde, lassen Sie den Außenbordmotor im Wasser ca. 10 Minuten laufen, um sicherzustellen, dass sich keine alten Kraftstoffreste mehr im Kraftstoffsystem befinden und vollständig durch den Kraftstoff mit dem Zusatz ersetzt wurde.
4. Schalten Sie den Motor AUS

ENON00891-0

Anmerkung

Wenn Ihr Motor nur gelegentlich benutzt wird, ist es empfehlenswert, bei jeder Tankfüllung einen guten Kraftstoffstabilisator zu verwenden. Der Tank sollte auch immer voll sein, um Kondensation und Verdunstung zu verringern.

ENOM00970-0

Ablassen der Kraftstoffanlage

ENOW00028-A

 **WARNUNG**

Für mehr Information zum Umgang mit Kraftstoffen wenden Sie sich bitte an einen offiziellen Händler.

Kraftstoffe und ihre Dämpfe sind stark entflammbar und können explodieren.

- **Verschütteter Kraftstoff muss sofort aufgewischt werden.**
- **Halten Sie den Kraftstofftank von jeder Zündquelle wie Funken oder offenem Feuer fern.**
- **Erledigen Sie alle Arbeiten im Freien oder in einem gut belüfteten Platz.**

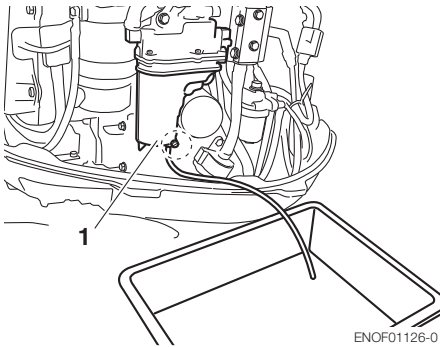
ENOW00097-0

 **WARNUNG**

Versichern Sie sich, dass Sie mit einem Tuch Benzinreste im Gehäuse entfernen und es in Übereinstimmung mit den lokalen

Vorschriften für Brandschutz und Umweltschutz entsorgen.

1. Trennen Sie die Kraftstoffleitung vom Außenbordmotor.
2. Entfernen Sie die obere Motorabdeckung.
3. Nehmen Sie den Ablassschlauch aus der Halterung und platzieren ihn außerhalb der unteren Motorabdeckung. Platzieren Sie einen zugelassenen Kraftstoffbehälter unter das Ende des Ablassschlauchs und verwenden Sie einen Trichter, damit kein Kraftstoff verschüttet wird.
4. Lösen Sie die Ablassschraube des Dampfabscheiders.
5. Kippen Sie den Außenbordmotor nach oben, bis der Kraftstoff aus dem Ablassschlauch fließt.
6. Halten Sie den Außenbordmotor in dieser Position, bis der gesamte Kraftstoff abgelassen ist.
7. Anschließend ziehen Sie die Ablassschraube erneut an.
8. Überprüfen Sie den abgelassenen Kraftstoff auf Wasser oder andere Verunreinigungen. Sollten Sie fündig werden, bauen Sie den Außenbordmotor wieder zusammen, befüllen den Dampfabscheider mit Kraftstoff und lassen den Kraftstoff erneut ab. Wiederholen Sie diesen Vorgang, bis sich kein Wasser oder andere Verunreinigungen mehr im abgelassenen Kraftstoff befinden.



1. Dampfabscheider

ENOM00102-0

Batterie

ENOW00931-A

⚠️ WARNUNG

- die Batterie nicht neben Feuerquellen, Funken und offenen Flammen platziert wird wie z. B. Brenner oder Schweißgeräte.
- Setzen Sie die Batterie, entfernt von dem Kraftstofftank, ein. Versehentliche Funken der Batterie, können möglicherweise eine Explosion des Benzins verursachen.

1. Trennen Sie die Batteriekabel und versichern Sie sich, das Massekabel zuerst zu entfernen.
2. Entfernen Sie chemische Überreste, Schmutz oder Fett.
3. Fetten Sie die Batteriepole ein.
4. Laden Sie die Batterie vollständig auf, bevor Sie sie im Winter einlagern.
5. Laden Sie die Batterie einmal monatlich auf, um eine Entladung und eine Verschlechterung der Elektrolyten zu verhindern.
6. Lagern Sie die Batterie an einem trockenen Platz.

ENOM00104-A

4. Überprüfen vor Saisonbeginn

Folgende Schritte müssen befolgt werden, wenn der Motor nach der Nebensaison wieder in Betrieb genommen wird.

1. Überprüfen Sie, ob die Schaltung und die Drosselklappenregelung ordnungsgemäß funktionieren. (Vergessen Sie nicht die Propellerwelle zu drehen, wenn Sie die Schaltung überprüfen, sonst könnte das Schaltgestänge beschädigt werden.)
2. Überprüfen Sie die Batterieflüssigkeit, messen Sie die Spannung und die spezifische Dichte der Batterie.

Spezifische Dichte bei 20°C	Batteriespannung (V)	Ladezustand
1.120	10.5	Komplett entladen
1.160	11.1	1/4 geladen
1.210	11.7	1/2 geladen
1.250	12	3/4 geladen
1.280	13.2	Voll geladen

3. Überprüfen Sie, ob die Batterie fest sitzt und ob die Batteriekabel richtig montiert sind.
4. Wechseln Sie das Motoröl (siehe page 72).
5. Trennen Sie vor dem Starten des Motors, die Stoppschaltersperre und kurbeln Sie ca. 10 mal, während Sie den Rückstoß-Starter (manuelles Start-Modell) ziehen oder 3 mal für 3 Sek. den Anlasser drehen (Elektrostarter Modell), um die Ölpumpe vorzupumpen.
6. Füllen Sie den Kraftstofftank vollständig.

7. Lassen Sie den Motor 3 Minuten in der Leerlaufposition (NEUTRAL) warmlaufen.
8. Lassen Sie den Motor bei niedriger Drehzahl für 5 Minuten laufen.
9. Lassen Sie den Motor bei halbem Gas für 10 Minuten laufen. Das Öl, das für die Einlagerungszeit im Motor verwendet wurde, wird ausgestoßen, um eine optimale Leistungsfähigkeit zu gewährleisten.

ENOM00105-A

5. Eingetauchter Außenbordmotor

ENOW00098-0

VORSICHT

Versuchen Sie nicht, einen untergegangenen Außenborder sofort nach der Bergung zu starten. Der Motor könnte schwer beschädigt werden.

Sobald Sie den Motor wieder aus dem Wasser geborgen haben, bringen Sie ihn sofort zu Ihrer Werkstatt.

Folgende Maßnahmen sind sofort erforderlich, wenn Sie den untergetauchten Außenborder nicht gleich in die Werkstatt bringen können.

1. Waschen Sie den Motor mit Frischwasser ab, um Salz und Schmutz zu entfernen.
2. Schrauben Sie die Ölablassschraube heraus und lassen Sie Motoröl und Wasser vollständig ab.
3. Entfernen Sie die Zündkerzen und lassen Sie das Wasser im Motor ab, indem Sie den Rückholstarter mehrmals ziehen.
Tauschen Sie den Ölfilter und füllen Sie

Öl bis zum korrekten Füllstand auf. Das Öl und der Filter müssen vielleicht nach kurzer Zeit wieder gewechselt werden, um die Feuchtigkeit komplett aus dem Kurbelwellengehäuse zu beseitigen.

4. Sprühen Sie eine ausreichende Menge von Originalmotoröl durch die Zündkerzenbohrungen. Ziehen Sie mehrmals den Rückholstarter, damit das Öl durch den Motor zirkulieren kann.

ENOM00106-A

6. Vorkehrungen bei kaltem Wetter

Wenn Sie bei Temperaturen unter 0° C (32° F) das Boot ankern, besteht die Gefahr, dass das Wasser in der Kühlwasserpumpe gefriert, was zu Schäden an Pumpe, Impeller usw. führen kann. Um dieses Problem zu vermeiden, muss sich die untere Hälfte des Außenborders im Wasser befinden.

ENOM00107-A

7. Auf einen Gegenstand unter Wasser schlagen

ENOW00935-0

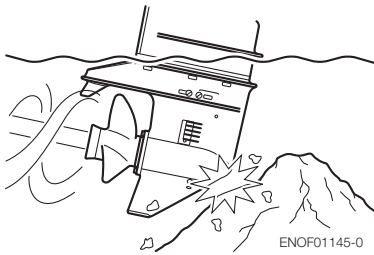
VORSICHT

Grundberührung oder ein Zusammenstoß mit einem Objekt, das unter der Wasseroberfläche treibt, kann zu schweren Schäden am Außenborder führen.

Folgen Sie der unteren Vorgehensweise und kontaktieren Sie so schnell wie möglich einen Händler.

1. Stoppen Sie den Motor sofort.

2. Überprüfen Sie das Kontrollsystem, Getriebegehäuse, Spiegelhöhe des Boots usw.
3. Kehren Sie langsam und vorsichtig zum nächsten Hafen zurück.
4. Kontaktieren Sie einen Händler, um den Außenbordmotor zu überprüfen, bevor er erneut verwendet wird.



ENOM001201-0

8. Betrieb mit mehreren Außenbordmotoren

Beim Betrieb der Außenbordmotoren in umgekehrter Richtung über niedrigste Geschwindigkeit, achten Sie darauf, dass alle Motoren laufen.

Wenn einer der Motoren gestoppt wurde, sollten Sie den Außenbordmotor nach oben kippen und den Propeller aus dem Wasser entfernen. Anderenfalls könnte Wasser in den Motor gelangen und zu Schäden am Motor führen.

FEHLERBEHEBUNG

ENOM00108-0

Wenn Sie ein Problem entdecken, soll Ihnen die folgende Fehlerbehebungsliste dabei helfen, dieses zu lokalisieren und die richtigen Maßnahmen zu ergreifen

Ein offizieller Händler steht Ihnen dabei gerne mit Hilfe und Information zur Seite.

	Motor springt schlecht an	Motor läuft unregelmäßig	Niedrige Motordrehzahl/ Schlechte Bootgeschwindigkeit	Batterie entlädt sich	Startermotor kurbelt nicht	Powertrimmsystem funktionsuntüchtig	Warnleuchte -ON-	Warnsignal -ON-	Mögliche Ursache
KRAFTSTOFFSYSTEM	●								Leerer Kraftstofftank
	●	●	●						Kraftstoffsystem falsch angeschlossen
	●	●	●						Luft in der Kraftstoffleitung
	●	●	●						Geknickte oder beschädigte Kraftstoffleitung
	●	●	●						Nicht geöffnetes Entlüftungsventil am Kraftstofftank
	●	●	●						Verdeckter Kraftstofffilter, Dampfabscheider oder Kraftstoffpumpe
	●	●	●						Kraftstoffpumpenfehlfunktion
			●						Verwendung von schlechtem Motoröl
	●	●	●						Qualitativ schlechter Kraftstoff
	●	●	●						Hochdruck-Kraftstoffpumpe (FFP) zeigt geringe Leistung oder ist verstopft
			●				●	●	Niedriger Ölstand
		●	●						Hoher Motorölstand (Rauch tritt auf)
			●				●	●	Verstopfter Ölfilter
			●				●	●	Ölpumpenfehlfunktion

	Motor springt schlecht an	Motor läuft unregelmäßig	Niedrige Motordrehzahl/ Schlechte Bootgeschwindigkeit	Batterie entlädt sich	Startermotor kurbelt nicht	Powertrimmsystem funktionsuntüchtig	Warnleuchte -ON-	Warnsignal -ON-	Mögliche Ursache
ELEKTRISCHES SYSTEM	•	•	•	•	•	•	•	•	Elektrische Komponenten außer Reichweite, nicht geeignet oder lockere Kabelverbindung.
	•	•	•						Keine vorgeschriebene Zündkerze
	•	•	•						Dreck, Ruß usw. an der Zündkerze
	•	•	•						Fehlende oder schwache Zündkerze
	•								Kurzschluss des Stoppschalters
	•								Sperre des Stoppschalters fehlt
	•			•	•	•			Verdrahtung, Erdungskabel-Versagen, Bruch oder Lockerung eines Kabels.
	•				•	•			Niedrige Batteriespannung
	•				•				Schalthebel nicht auf Leerlaufposition
	•			•	•	•			Schwache Batterie, lose oder korrodierte Batteriekabel
	•				•				Zündschalter defekt
KOMPRESSION & ÖLSYSTEM	•	•	•						Wenig Druck
		•	•						Rußniederschlag in der Verbrennungskammer
	•	•	•						Falsches Ventilsignal
			•				•	•	Geringer Öldruck/-stand, Ölpumpe defekt, verschmutzter Ölfilter (Öldruckschalter AN)
		•	•						Unzureichende Kühlwasserzirkulation, verstopfte oder defekte Pumpe
	•	•	•						Falsche Ventilsteuerzeiten (Dehnung des Steuerriemen oder falsche Installation)
	•	•	•						Dichtung des Aufnahme-/Auslassventils defekt
		•	•						Übermäßiger Verschleiß der Kolben, Kolbenringe oder Zylinder
		•	•						Unzureichend festgezogene Zündkerze

		Motor springt schlecht an	Motor läuft unregelmäßig	Niedrige Motordrehzahl/ Schlechte Bootgeschwindigkeit	Batterie entlädt sich	Startermotor kurbelt nicht	Powertrimmsystem funktionsuntüchtig	Warnleuchte -ON-	Warnsignal -ON-	Mögliche Ursache
SONSTIGE			●	●						Defektes Thermostat
			●	●						Kavitation oder Lüftung
			●	●						Falsche Propellerwahl
			●	●						Beschädigter oder verbogener Propeller
				●						Falsche Position des Trimmbolzens
				●						Unausgeglichene Bootsbeladung
			●	●						Spiegelhöhe zu hoch oder zu niedrig
							●			In der Pumpe ist viel Luft eingeschlossen
				●						Unzureichende Drosselklappenöffnung

ZUBEHÖRSATZ

ENOM00109-0

Folgende Werkzeuge und Ersatzteile wurden mit dem Motor ausgeliefert.

Gegenstände		Menge	Hinweis	
Wartungswerkzeuge	Werkzeugtasche	1		
	Zange	1		
	Knarre	1	10 x 13 mm	
	Knarre	1	16 mm (Zündkerze)	
	Steckschlüsselgriff	1		
	Schraubenzieher	1	Kreuz- und gerader Punkt	
	Schraubendrehergriff	1		
Ersatzteile	Not-Starterseil	1		
	Zündkerze	1	NGK: DCPR6E	
	Sicherungssplint	1		
	Stoppschaltersperre	1		
Teile, die im Lieferumfang des Motors enthalten sind	Kraftstofftank	1	25 L	
	Pumpball	1 Satz		
	Schraubenset Takelage			Modell für manuelle Kippen
	Schraube	2	M8 x 85 mm	
	Unterlegscheibe	4	M8	
	Mutter	4	M8	
	Schraube	4	M12P1.25 x 105 mm	Modell für motorbetriebenes Kippen
	Unterlegscheibe	4	13-34-3	
	Unterlegscheibe	4	M12	
	Mutter	4	M21.5	
	Seilzugverbindungsstück			E und ET Modell
	Seilzugverbindungsstück	2		
	Unterlegscheibe	2	8.5-18-1.6	
	Steckstift	2		
Unterlegscheibe	1			

PROPELLERTABELLE

ENOM00111-0

Verwenden Sie einen Originalpropeller.

Ein Propeller muss so gewählt werden, dass bei der Fahrt die Drehzahl bei weit geöffneter Drosselklappe innerhalb des empfohlenen Bereichs liegt.

25 : 5000-6000 min⁻¹ (rpm)

30 : 5250-6250 min⁻¹ (rpm)

	Propellerkennzeichnung	Propellergröße (Durchmesser x Abstand)	
		Zoll (In.)	mm
Leichte Boote	14	9,9 x 14,2	252 x 360
	DS13	9,6 x 13	244 x 330
	DS12	9,8 x 12	249 x 305
	DS11	9,8 x 11	249 x 279
	DS10	9,72 x 10	247 x 254
	DS9	9,72 x 9	247 x 229
Schwere Boote	8	10,2 x 8,3	260 x 210

 **TOHATSU**

BENUTZERHANDBUCH

MFS 25C

MFS 30C

TOHATSU

en
OWNER'S MANUAL

fr
MANUEL DE L'UTILISATEUR

es
MANUAL DEL PROPIETARIO

de
BENUTZERHANDBUCH

MFS 25C
MFS 30C

TOHATSU CORPORATION

Address : 5-4, Azusawa 3-Chome, Itabashi-Ku,
Tokyo, Japan

Phone : TOKYO +81-3-3966-3117

FAX : TOKYO +81-3-3966-2951

URL : www.tohatsu.co.jp